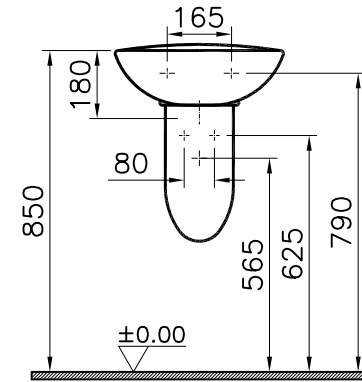
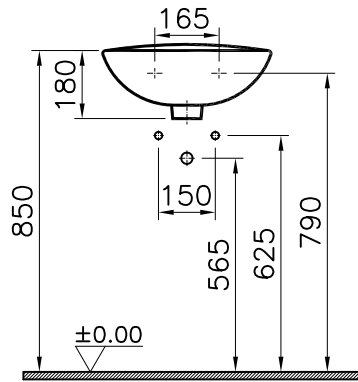
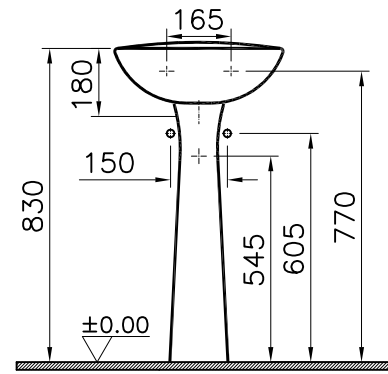
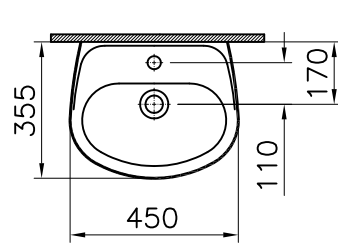


Theoretic Mass(kg)	Revision
Surface Area(dm <sup>2</sup> )	<b>A4</b>

Thread	Hole	Shaft



3	1	Pedestal	6968-0156	Ceramic						
2	1	Trap Cover	6948-1031	Ceramic						
1	1	Cloak-room basin 45 cm	5078-1029	Ceramic						
item	Quantity	Part Name	Drawing No	Material	Material Class					
		Series	Ceramic	Material Class						
		NORM	Cloak-room basin 45 cm							
		<small>This drawing can only be used for the intended purposes. Unauthorized copying is strictly prohibited.</small>								
03	Replaces drawing dated 03.01.2006	23.09.2009	G.GULTER	Drawn By	Controlled By	Approved By	Date	Drawing No	Scale	
R.S	Description	Date	NAME	U.AYDÖNER	O.KONEZ	B.TOPÇU	03.01.2008	5078+6948+6968	1/20	

03	Replaces drawing dated 03.01.2006	23.09.2009	G.GULTER
R.S	Description	Date	NAME