



# Axonic

EN	User guide.....	2
DE	Montage- und Bedienungsanleitung.....	10
FR	Manuel d'utilisation .....	18
PL	Instrukcja obsługi.....	26
IT	Manuale utente .....	34
CZ	Návod k obsluze .....	42
SLO	Navodila za montažo in uporabo .....	50
RU	РУКОВОДСТВО ПО ЭКСПЛУАТАЦИИ .....	58
CN	安装操作说明.....	66

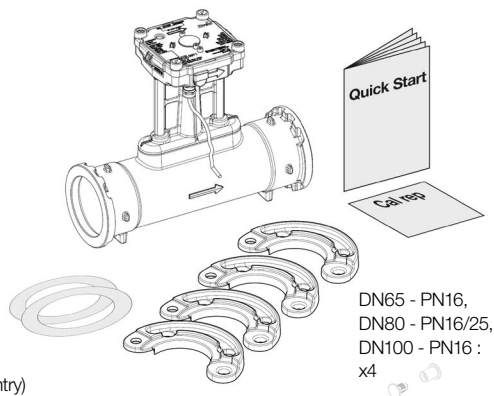
# Axonic



## User guide

### 1 - DELIVERY AXONIC

- Check completeness before installation
- 1 flow meter incl. connecting cable (l = 3 m or 10 m)
- Moving flanges. (PN16 and PN25 versions only)
- 1 set of gaskets
- 1 mounting and operation instructions
- Calibration Report and CE-Declaration (depending on country)



DN65 - PN16,  
DN80 - PN16/25,  
DN100 - PN16 :  
x4

### 2 - GENERAL INDICATIONS

Flow meter AXONIC is a sophisticated electronic measuring instrument for measurement of thermal energy in either horizontal or vertical position. Axonic can be connected to any calculator with compatible signal-input. The following instructions must be carefully observed in order to ensure correct mounting and to fulfill all safety and guarantee conditions.

#### 2.1 - Advise concerning safety

Hot water circuits and mains power supplies run under high temperatures and pressure as well as under high voltages.

When operated incorrectly, these may cause serious injuries. Due to this, measuring units may only be installed by qualified and trained personnel. Prior to any installation / de-installation of Axonic it is mandatory to close and empty the concerned network section. The casings of the heat meters are designed for cold, warm and hot water, with the characteristic values specified for each case, excluding any other liquid. If the flow meter casing is submitted to strong shocks, impacts, drops from more than 60 cm height or similar stresses, the heat meter must be replaced. Pipes must be earthed.

The complete system or global installation which will use this equipment must be protected by valve or a pressure limiting system in order to respect the maximal pressure of the equipment.

#### 2.2 - CE marks and protective classes (See last page of this document for Heat product's CE Declaration)

Metering unit AXONIC fulfills all requirements of applicable EC guidelines, and is approved in environmental class C (Industrial applications), according to DIN EN 1434, MID environmental class E2 and M2 (MID 2014/32/EU):

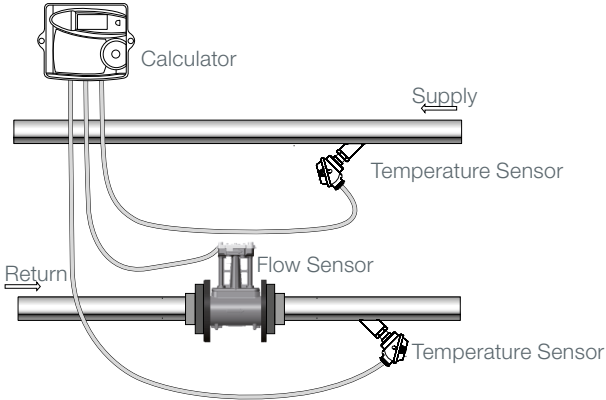
- Ambient temperature: -25°C ... +60°C (indoors installation)
- Storage temperature:
  - Permanent: T°MIN = -25°C T°MAX = 60°C
  - Max +70°C (< 24 hours continuous)
- Flow sensor IP 68 (7 days under 1.2 meter of water at ambient)
- Axonic is conform to DIRECTIVE 2014/68/EU (Heat version only), fluid group 2 (Approved for water only).
- Discarded electronic devices contained within must not be put in normal house hold waste. Dispose in accordance to local government regulations.
- The metrological class of a complete thermal energy meter, made of subassemblies (flow meter, calculator and temperature sensors pair), assembled and installed according to the manufacturers installations instructions, meets the metrological class that is indicated on the flow meter type plate.

#### 2.3 - Further important indications

- The flow meter must never be lifted or carried by its connecting cable.
- Mounting position shall be selected so that the connecting cable of the flow meter and the temperature probe cables will not be near mains cables or other sources of electromagnetic disturbances (minimum distance 50 cm).
- Cables must not be installed along pipes reaching temperatures above 60 °C.
- Opening of calibration seals will cause the loss of calibration validation and of guarantee.
- Unsealing the device is excluding the guarantee of conformity to directive PED 2014/68/EU. (Heat version only)
- The casing may only be cleaned on the outside, with a soft, damp cloth. Do not use detergents.
- Installation must be carried out according to EN 1434.
- There may be local rules that must be followed but not covered with this manual. Please check with the experts of the country in which the meter will be installed.

## 2.4 - Application

The flow meter Axonic is a sub-assembly for a thermal energy measurement systems that consists of flow meter, calculator (e.g. Itron CF51, CF55, CF800) and a pair of temperature sensors. Calculator input specifications and flow meter output specification must be compliant in order to ensure correct energy measurement, this concerns in particular flow meter pulse-weight (L/pulse) and flow meter position (return or supply pipe).



## 3 - MOUNTING THE FLOW METER

### 3.1 - Operating conditions, materials and dimensions

The operating parameters of the heating or cooling circuit must not exceed, Maximal pressure (PMA), Operating temperature indicated on type plate.

- Max permanent operating temperature: version for heat 130°C/150°C (permanent/accidental); version for cooling 50°C
- PMA at extreme temperatures:
  - PN16 120°C < Maximal pressure: 15.2 bar < 130°C
  - PN25 120°C < Maximal pressure: 23.8 bar < 130°C

Minimum pressure to avoid internal cavitation:

- For fluid temperatures < 100°C: 1 bar
- For fluid temperatures > 100°C minimum pressure to keep water at liquid state + 1 bar

Raw materials in contact with water:

- O-Ring: EPDM (channel) & FKM
- Bodies: Bronze (PN16 and 25), stainless steel (PN40).
- Transducer support: brass plated (PN16 and 25), Stainless steel (PN40)
- Measurement Channel, Stabilizer: Thermoplastic
- Membrane: stainless steel

Pressure loss: at  $q_p/50^\circ\text{C}$  (bar):

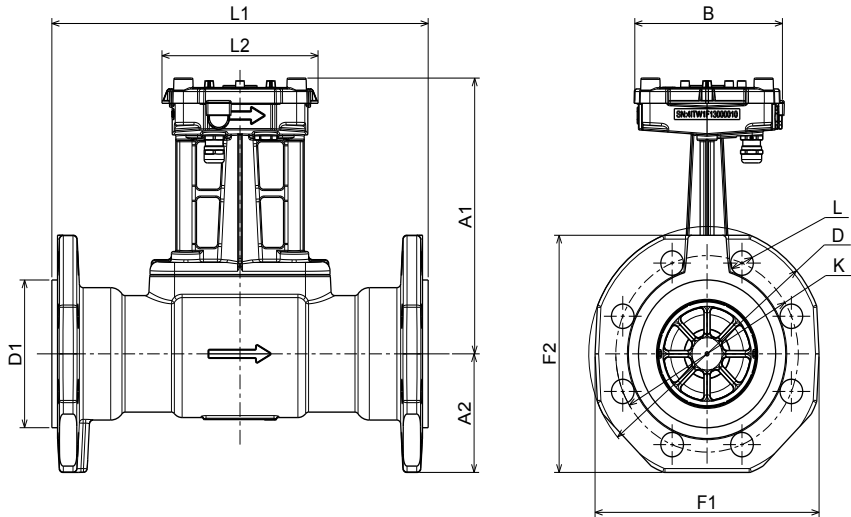
- DN65 < 0.10 bar
- DN80 < 0.17 bar
- DN100 < 0.13 bar
- DN150 < 0.15 bar

For further technical data, refer to table:

Type	DN65 qp25			DN80 qp40			DN100 qp60			DN150 qp150			
	PN16	PN25	PN40	PN16	PN25	PN40	PN16	PN25	PN40	PN16	PN25	PN40	
Body Length (available versions)	L1 mm	200	300	300	200	300	350	250	360	400	300	500	300
		300			225			360			500		
					300			400					
					350								
Electronic	L2 mm	124	124	124	124	124	124	124	124	124	124	124	124
	B mm	119	119	119	119	119	119	119	119	119	119	119	119
Height	A1 mm	204	204	204	209	209	209	219	219	219	244	244	244
	A2 mm	93	93	88	100	100	100	111	118	112	143	150	144
Bolt Circle Diameter	K mm	145	145	145	160	160	160	180	190	190	240	250	250
Bolt holes Diameter	L mm	19	19	18	19	19	18	20	23	22	24	28	26
Number of holes		4	8	8	8	8	8	8	8	8	8	8	8
Flange Dimensions	D mm	185	185	188	200	200	203	220	235	238	285	300	300
	D1 mm	108	108	109	128	128	120	156	156	149	216	216	203
	F1 mm	-	-	178	-	-	194	-	-	228	-	-	288
	F2 mm	-	-	175	-	-	190	-	-	224	-	-	288
Weight (length)	kg	8,0 (200)	9,0 (300)	10,5 (300)	9,3 (200)	10,4 (300)	14,0 (350)	13,0 (250)	16,0 (360)	20,0 (400)	24,0 (300)	31,0 (500)	32,0 (300)
	(mm)	9,0 (300)			9,6 (225)	10,4 (300)	10,9 (350)	14,0 (360)	15,0 (400)		28,0 (500)		

\* Flanges PN16 and PN25 according EN 1092-2 / Mobile Flanges Elevated interface type B

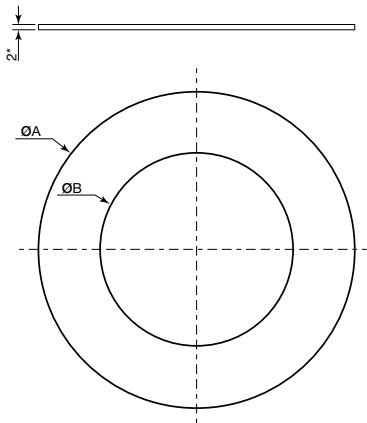
\*\* Flanges PN40 according EN 1092-1 / Type 21 PN40 Male hubbed socket Type E



### 3.2 - Mounting instructions

- Never carry out welding or drilling work near the meter.
- All handling operations must be made with the lifting ear of the product. If there are no lifting ear, handling operations can be made by hand.
- Leave the meter in its original package until all connection, insulating, painting and cleaning tasks have been performed.
- Always install the meter according to the mounting position indicated on the nameplate of the calculator (supply or return or cold or warm line). It is recommended that stop valves are fitted before and after the flow sensor to simplify dismantling. The flow sensor should be installed in a convenient position for service and operating personnel.
- The flow sensor can be installed in both horizontal and vertical pipe sections, any position is allowed.
- Aluminum rib of electronic compartment should be visible in case of thermal insulation. (See Fig N°1)
- For medium temperatures above 130°C a flow meter with thermal insulation must be installed in that way, that the electronic is beside the pipe and not above. (See Fig N°2)
- Ensure that the flow sensor is always filled with liquid after installation. (See Fig N°3)
- By approval calming sections before and after the flow sensor are not required. Nevertheless we recommend to design calming sections 5xDN if the space for installation is available.
- The heat meter must be protected against shocks and vibrations which might occur at the place of installation.
- When charging the pipes with water, isolation valves must be opened slowly.
- Flange connections of the meter must match with the nominal diameter DN and nominal pressure PN (according to EN 1092) of the corresponding counterparts of the pipes. The metering unit must not be subject to excessive tensions caused by pipes or molded parts. The pipes of the heating system must be secularly fastened before and after the flow meter. In case of flanged connections, all bolts must be used and tightened. All bolts, nuts and gaskets used must comply with the nominal with DN, the pressure level PN, the maximum admissible temperature and pressure.
- Installation of AXONIC. Versions PN16 and PN25 with dedicated seat of moving flanges. (See Fig N°4)
- CF 51 and CF 55 calculators can be attached to the flowmeter using the adapter supplied with the flowmeter. (See Fig N°5)
- For repair or reconditioning flow meter have to be sent back to the manufacturer or to a repair shop authorised by the manufacturer.
- The device must be replaced in case of fire, explosion at its close proximity.

### 3.3 - Gaskets



DN	PN	Reference	Type	ø A	ø B
65	16-25	A4003392	IBC	127	77
	40	A4003393	SR	109	
80	16-25	A4003441	IBC	142	89
	40	A4003442	SR	120	
100	16-25	A4003443	IBC	168	115
	40	A4003444	SR	149	
150	16-25	A4003446	IBC	224	169
	40	A4003447	SR	203	

\*Thickness following NF EN 1514-1 and in accordance with the supplier

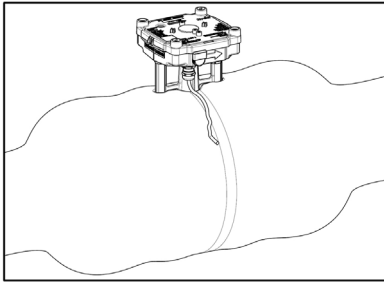


Fig N°1: max thermal insulation level

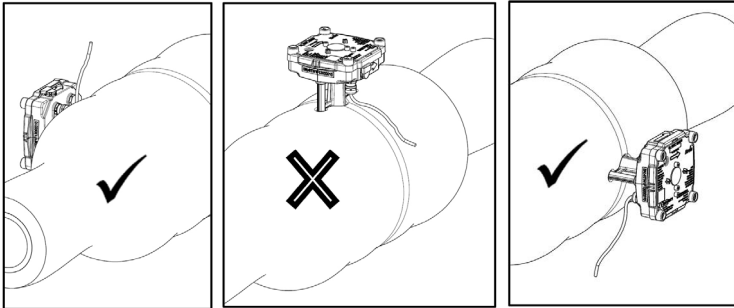


Fig N°2: 130°-150°C with thermal insulation

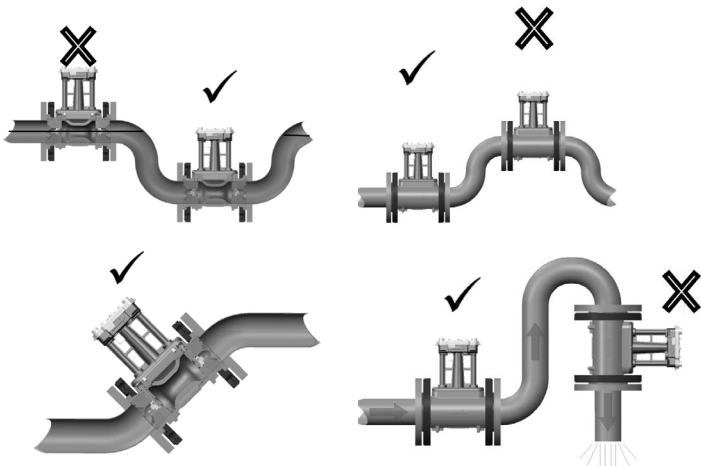


Fig N°3: The sensor must always be completely filled with liquid

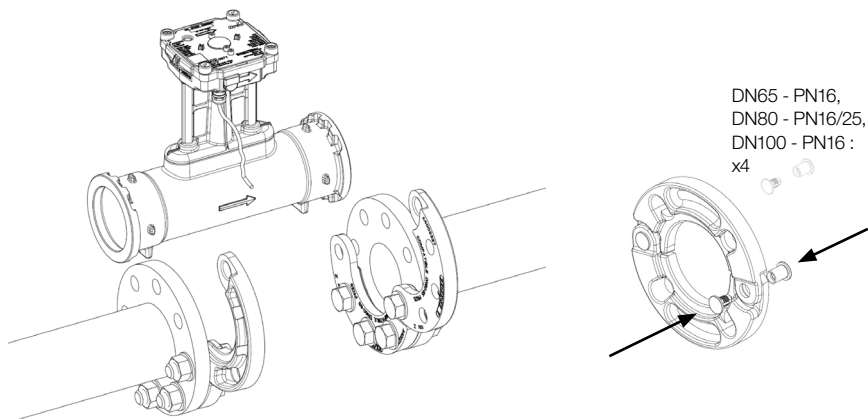


Fig N°4: Installation AXONIC with moving flanges

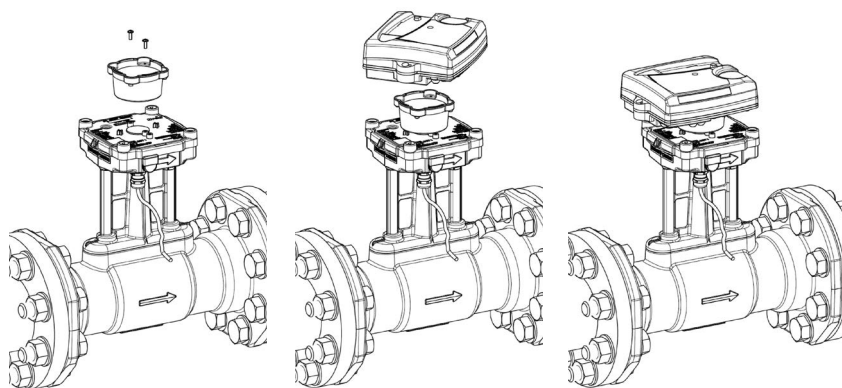


Fig N°5: Mounting of an Itron integrator CF51/CF55 onto AXONIC

#### 4 - ELECTRICAL CONNECTION AND POWER SUPPLY

AXONIC must be power-supplied by the integrator (CF 51, CF 55 or CF 800) or an exterior power supply. (eg: Itron Pulsbox or other integrator).

##### 4.1 - Connecting the flow meter to integrator unit

AXONIC is available with 1 or 2 cables, one for output pulse A and one for output pulse B. Beside the main pulse output A the product could offer (as option) a 2nd pulse output providing pulses and backflow to another independent device (e.g regulator). This option would be configured at factory.

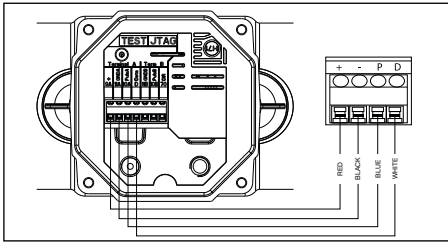
This pulse output B is following the same hardware specification as output A. Pulse-weight and pulse length of output A and B are independent.

Before connecting, make sure the pulse weights of flow meter and integrator are equal (typeplate of both devices)!

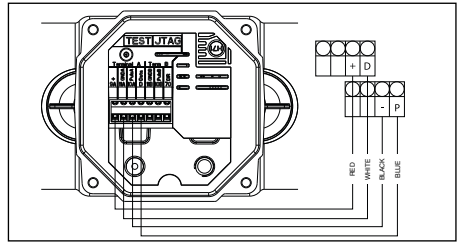
Connect to integrator according to the following connecting diagram (figures show connecting diagram for CF 51, CF 55, Pulsbox and CF 800).



Before connecting to other systems make sure that a galvanic insulation is guaranteed. (e.g. by using the Itron Pulsebox)



Connection AXONIC/CF51-CF55-Pulse-Box



Connection AXONIC/C800

#### 4.2 - Specification of connection to integrator

Cable A: 4 wires connecting cable, used for connection to integrator

Allocation of wire colors:

- 1 - WHITE:  $\mu$ Com/diagnostic
- 2 - BLUE: pulse A or diagnostic
- 3 - BLACK: earth connection (-)
- 4 - RED: power supply AXONIC (+)

Cable B: 3 wires connecting cable, used for connection to any devices

Allocation of wire colors:

- RED: Pulse B
- BLACK: earth connection (-)
- WHITE: DIR. (Direction of the flow: 1 = normal flow, 0 = backward flow)

#### 4.3 - Characteristic of pulse outputs (A+B):

- conform to class OB, OC and OD of EN1434-2
- Type: Open Drain
- Polarity: non reversible (observe connection diagram)
- Duration of pulse: see table below
- Max voltage: 30V DC
- Max current: 27 mA
- Drop of voltage when switched on:  $\leq 0.3V$  at 0.1 mA /  $\leq 2V$  at 27 mA
- Max output frequency: 128 Hz
- Resistance when switched off:  $\geq 6M\Omega$
- Pulse length according table
- Max. cable length: 10 m

		DN65 - qp 25	DN80 - qp 40	DN100 - qp 60	DN150 - qp 150
Pulse Weight		Pulse Length (ms)			
8	p/L	5	n.a.	n.a.	n.a.
4	p/L	n.a.	5	n.a.	n.a.
2	p/L	n.a.	n.a.	5	5
1	L/p	20	20	10	10
2,5	L/p	50	50	20	50
10	L/p	100** (200, 500)	100** (200)	100	100
25-2500	L/p	100** (200, 500)	100** (200, 500)	100** (200, 500)	100** (200, 500)

\*\*standard: 100ms, values in brackets only if specified in model options table



#### 4.4 - Power supply

- Nominal voltage: 3,2 ... 6V DC
- Peak current consumption  $I_{max}$ : < 3 mA
- Average current consumption: < 50  $\mu$ A. (depends on product configuration)

#### 4.5 - Optional connecting AXONIC with Pulse-Box to integrator unit (optional power supply)

The Pulse-Box offers the following functions:

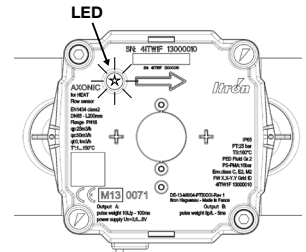
- Power supply of AXONIC independently of the integrator.
- Pulse length increase of AXONIC's pulses.
- Galvanic insulation of AXONIC from the integrator.
- 2 wire pulse output

Before connecting, make sure that the pulse of AXONIC and integrator match!

Connection of AXONIC with Pulse-Box to an integrator according to mounting instructions: respect polarities!

Characteristics of pulse exit:

- Version: Open collector
- Polarity: non reversible (respect connecting diagram)
- Duration of impulse: 135  $\pm$ 35 ms
- Maximum input voltage: 30 V DC
- Max. input current: 27 mA
- Voltage drop when switched on:  $\leq 0.3$  V at 0.1 mA,  $\leq 2.0$  V at 27 mA
- Resistance when switched off:  $\geq 6$  M $\Omega$
- Maximum pulse frequency: 1Hz
- Maximum cable length: 10 m



#### 5 - FUNCTION CONTROL OF AXONIC

The AXONIC flow sensor is equipped with a LED in order to perform a simple functional check. The signal sequence depends on operation conditions and will be repeated any 10 as follow:

Information	Number of flashes	Signal/Period (Repetition)
Flow detected	1	20ms (LED ON) / 10s
Air in pipe / US Asic alarm	2	20/500ms (LED ON/OFF) / 10s
Low signal amplitude alarm	3	20/500ms (LED ON/OFF) / 10s
Max flow alarm	4	20/500ms (LED ON/OFF) / 10s
Back flow alarm	5	20/500ms (LED ON/OFF) / 10s
Product in test mode	Permanent flashing	20/500ms (LED ON/OFF) / permanent
Product configuration un-locked	Flash sequence as above 1...5, but inverted	500/20ms (LED ON/OFF) / 10s
Product configuration corrupt	Permanent ON	Permanent (LED ON)

Function control at the calculator:

A functional control and plausibility check shall be done by observing the indications of flow rate and volume index, see calculators manual and operating instructions.

Putting into operation:

After successful functional test AXONIC is now ready for use and final technical inspection.



Join us in creating a more **resourceful world**.  
To learn more visit [itron.com](http://itron.com)

While Itron strives to make the content of its marketing materials as timely and accurate as possible, Itron makes no claims, promises, or guarantees about the accuracy, completeness, or adequacy of, and expressly disclaims liability for errors and omissions in, such materials. No warranty of any kind, implied, expressed, or statutory, including but not limited to the warranties of non-infringement of third party rights, title, merchantability, and fitness for a particular purpose, is given with respect to the content of these marketing materials.  
© Copyright 2017 Itron. All rights reserved. HE-0058.4-ig-ML-02.18 17768-AA

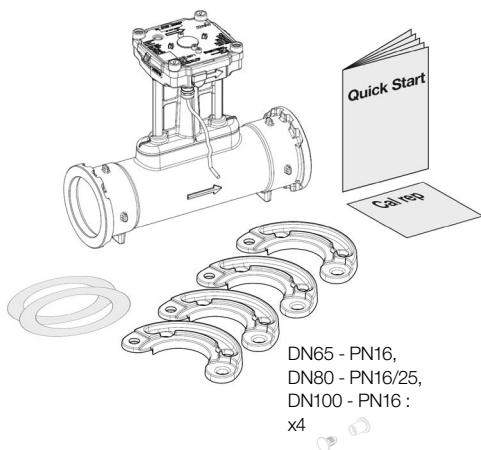
#### ITRON

Allmess GmbH  
Am Vossberg 11  
23758 Oldenburg in Holstein  
Germany

**Tel.:** +49 4361 625 0  
**Fax:** +49 4361 625 258

# Axonic DE

Montage- und Bedienungsanleitung



## 1 - LIEFERUMFANG AXONIC

- Die Lieferung ist vor der Installation auf Vollständigkeit zu prüfen!
- Durchflusssensor mit Anschlussleitung (3m oder 10m)
- 1 Satz Klappflansche (4 Halb-Flansche, Versionen PN16 und PN25)
- 2 Dichtungen
- Montage- und Bedienungsanleitung
- CE-Erklärung + Prüfprotokoll (Option)

## 2 - ALLGEMEINES

Der AXONIC ist ein hochwertiger Ultraschall-Durchflusssensor zur Messung von thermischer Energie zur wahlweisen Installation in horizontaler oder vertikaler Einbaulage. Der AXONIC kann an beliebige Rechenwerke angeschlossen werden, deren Signaleingänge den Anschlusspezifikationen entsprechen.

Der Einbau hat entsprechend dieser Montage- und Bedienungsanleitung zu erfolgen, damit eine bestimmungsgemäße Funktion ermöglicht und die Einhaltung von Sicherheits- und Garantiebedingungen erfüllt wird.

### 2.1 - Sicherheitshinweis

Heizwassernetze und Netzspannungsversorgungen werden bei hohen Temperaturen, hohen Drücken bzw. hohen Spannungen betrieben, die bei fehlerhaftem Umgang schwere körperliche Verletzungen verursachen können. Deshalb dürfen die Messgeräte nur von qualifiziertem und geschultem Personal installiert werden. Vor dem Ein- oder Ausbau von Durchflusssensoren aus der Rohrleitung muss der betreffende Rohrabschnitt abgesperrt und fachmännisch entleert werden. Die Gehäuse der Wärmezähler sind ausgelegt für Kaltwasser, Warmwasser und Heißwasser mit den jeweils spezifizierten Kennwerten und unter Ausschluss anderer Flüssigkeiten. Wurde das Zählergehäuse einer erheblichen Belastung durch Schläge, Stöße, Sturz oder ähnlichem ausgesetzt, muss das Gerät ausgetauscht werden. Die Rohrleitungen müssen geerdet sein.

Anlagen, in denen dieser Durchflusssensor betrieben wird, müssen durch Ventile oder Druckbegrenzer derart gesichert sein, dass der für diese Gerät zulässige Druck nicht überschritten wird.

### 2.2 - CE Zeichen und Schutzklassen (CE Erklärung siehe letzte Seite dieses Dokuments)

Das Messgerät AXONIC erfüllt die Anforderungen aller anzuwendenden EU-Richtlinien und ist zugelassen für den Einsatz entsprechend Umgebungsklasse C (EN1434), E2 und M2 (MID 2014/32/EU).

- Umgebungstemperatur: -25°C...60°C (Innenrauminstallation)
- Lagertemperatur: -25°C...60°C, kurzzeitig 70°C (<24h)
- Schutzart: IP68 (7 Tage, 1,2m Wassersäule)
- AXONIC erfüllt die Anforderungen der Druckgeräterichtlinie 2014/68/EU (Versionen für Wärme), Fluid Gruppe 2 und ist zugelassen für das Messmedium Wasser.
- Elektro-Altgeräte und darin enthaltene Batterien dürfen nicht dem Hausmüll zugeführt werden. Wir nehmen unsere Produkte nach Gebrauch zur fachgerechten Entsorgung kostenlos zurück.
- Die metrologische Klasse eines kombinierten Zählers, der aus Durchflusssensor, Rechenwerk und Temperaturfühler nach Herstellervorgaben installiert wird, richtet sich nach der metrologischen Klasse des Durchflusssensors (siehe Typenschild).

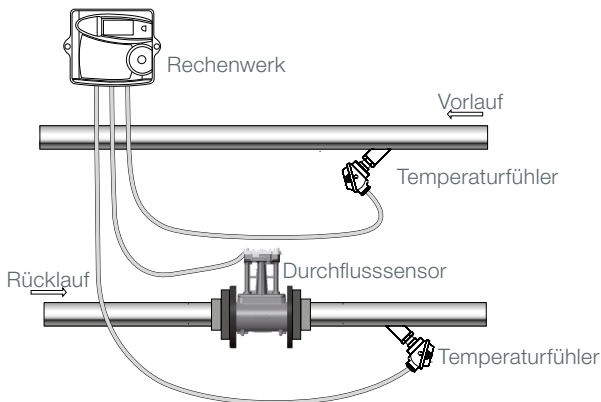
### 2.3 - Weitere wichtige Hinweise

- Der Durchflusssensor darf niemals am Anschlusskabel angehoben oder transportiert werden!
- Der Montageort ist so zu wählen, dass die Anschlussleitung des Durchflusssensors und die Temperaturfühlerkabel nicht in der Nähe von stromführenden Netzleitungen und/oder elektromagnetischen Störquellen verlegt werden (min. 50 mm Abstand).
- Bei besonders starken elektromagnetischen Störquellen, wie z.B. Maschinen, Frequenzumformern, Wechselrichtern, Leistungsschaltern, starkstromversorgten Pumpen und Neonröhren, ist besondere Sorgfalt geboten und der Abstand zu den Signalleitungen des Wärmezählers auf 50 cm zu erhöhen.
- Kabel nicht an heißen Leitungen verlegen, die Temperaturen von 60 °C überschreiten.
- Entfernung von metrologischen Plomben zieht den Verlust der Konformität zur 2014/68/EU Druckgeräte-RL nach sich. (Wärme nur)

- Das Öffnen von Eichplomben zieht den Verlust der Eichgültigkeit und Garantie nach sich.
- Die Reinigung des Gehäuses darf nur von außen und mit einem weichen, angefeuchteten Tuch ausgeführt werden, keine Reinigungsmittel verwenden.
- Die Installation und Inbetriebnahme eines kompletten Wärmehäufers muss fachgerecht entsprechend EN 1434-6 und PTB TR K09 erfolgen.
- Gegebenenfalls gibt es länderspezifische Einbau- und Verwendungsanforderungen, die über den Inhalt dieser Einbauanleitung hinausgehen und zu beachten sind. Bitte informieren Sie sich bei den Fachkreisen des Landes, in dem der Zähler installiert wird.

## 2.4 - Anwendung

Der Durchflusssensor AXONIC ist ein Teilgerät eines Wärme- oder Kältezählers. Ein kompletter Zähler zur Messung von thermischer Energie besteht aus Durchflusssensor, Rechenwerk (z.B. Itron CF51, CF55, CF800) und einem Temperaturfühler-Paar. Die Anschlussspezifikation von Rechenwerk und Durchflusssensor müssen kompatibel sein, um eine korrekte Energieerfassung sicherzustellen. Dies betrifft insbesondere die Impulswertigkeit sowie die Einbauposition (Rücklauf / Vorlauf) des Durchflusssensors. Angaben der Typenschilder der Teilgeräte beachten!



## 3 - MONTAGE DES DURCHFLUSSENSORS

### 3.1 - Betriebsbedingungen, Dimensionen und Materialien

Die Betriebsparameter im Wärme- oder Kältekreislauf dürfen die auf dem Typenschild angegebenen Werte für Druck und Betriebstemperatur nicht überschreiten:

- Maximale Medium Temperatur: Varianten Wärme 130°/150°C (permanent / kurzzeitig); Varianten Kälte 50°C
- Maximaler Druck bei extremen hohen Temperaturen:
  - Versionen PN16: bei  $T > 120^\circ$  Zulässiger Maximaldruck 15,2bar  $< 130^\circ$
  - Versionen PN25: bei  $T > 120^\circ$  Zulässiger Maximaldruck 23,8bar  $< 130^\circ$

Minimaler Druck zur Vermeidung von Kavitation:

- Medium Temperatur  $T < 100^\circ$ : 1 bar
- Medium Temperatur  $T > 100^\circ$ : Minimaldruck um Wasser flüssig zu halten + 1 bar

Materialien in Kontakt mit dem Medium:

- O-Ringe: EPDM (Kanal) & FKM
- Gehäuse: Bronze (PN16, PN25); Edelstahl (PN40)
- Aufnahme Schallwandler: Messing vernickelt (PN16, PN25); Edelstahl (PN40)
- Messkanal, Stabilisator: Thermoplast
- Schallwandler Membrane: Edelstahl

Druckverlust (bei  $q_p / 50^\circ\text{C}$ ):

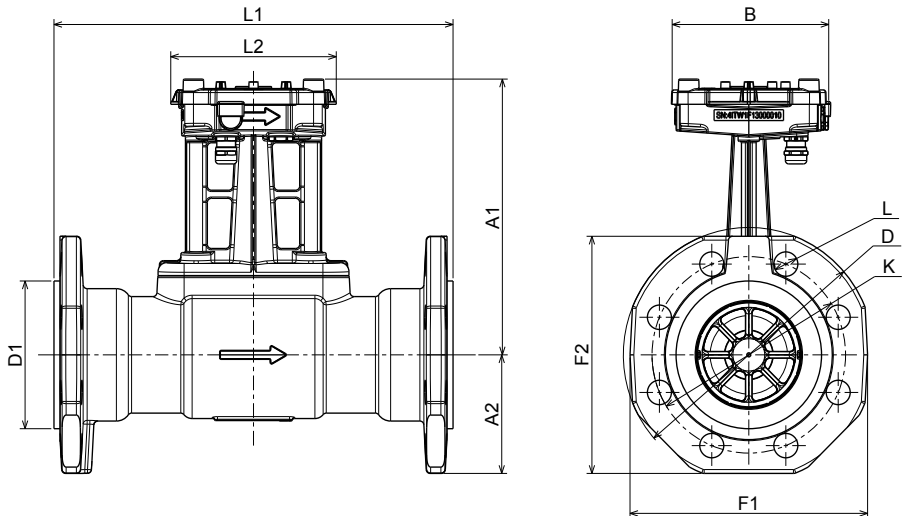
- DN65 < 0.10 bar
- DN80 < 0.17 bar
- DN100 < 0.13 bar
- DN150 < 0.15 bar

Technische Daten:

Type	DN65 qp25			DN80 qp40			DN100 qp60			DN150 qp150			
	PN16	PN25	PN40	PN16	PN25	PN40	PN16	PN25	PN40	PN16	PN25	PN40	
Baulänge (alle Varianten)	L1 mm	200 300	300	300	200 225 300 350	300	350	250 360 400	360	400	300 500	500	300
Elektronik	L2 mm	124	124	124	124	124	124	124	124	124	124	124	124
	B mm	119	119	119	119	119	119	119	119	119	119	119	119
Höhe	A1 mm	204	204	204	209	209	209	219	219	219	244	244	244
	A2 mm	93	93	88	100	100	100	111	118	112	143	150	144
Schrauben- Kreis ø	K mm	145	145	145	160	160	160	180	190	190	240	250	250
Schrauben- Loch ø	L mm	19	19	18	19	19	18	20	23	22	24	28	26
Anzahl Schrauben		4	8	8	8	8	8	8	8	8	8	8	8
Flanschmaße*	D mm	185	185	188	200	200	203	220	235	238	285	300	300
	D1 mm	108	108	109	128	128	120	156	156	149	216	216	203
	F1 mm	-	-	178	-	-	194	-	-	228	-	-	288
	F2 mm	-	-	175	-	-	190	-	-	224	-	-	288
Gewicht (Baulänge)	kg (mm)	8,0 (200)	9,0 (300)	10,5 (300)	9,3 (200)	10,4 (300)	14,0 (350)	13,0 (250)	16,0 (360)	20,0 (400)	24,0 (300)	31,0 (500)	32,0 (300)
		9,0 (300)			9,6 (225)	10,4 (300)	10,9 (350)	14,0 (360)	15,0 (400)			28,0 (500)	

\* Flansche PN16, PN25: EN 1092-2 / Mobile Flansche, Form B

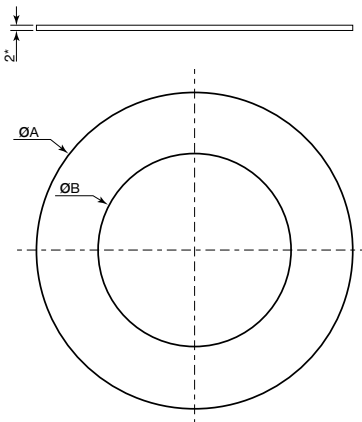
\*\* Flansche PN40: EN 1092-1 / Typ 21, PN40, Form E (Vorsprung)



### 3.2 - Montagehinweise

- Keinesfalls Schweiß- und Bohrarbeiten in der Nähe des Zählers durchführen.
- Zum Anheben und Versetzen von Durchflusssensor-Varianten, die mit Hebeösen ausgestattet sind, müssen diese verwendet werden.
- Der Zähler sollte in der Originalverpackung bleiben, bis alle Anschluss-, Isolier-, Lackier- und Spülarbeiten am Rohbau beendet sind.
- Den Zähler immer entsprechend der auf dem Rechenwerk-Typenschild aufgedruckten Einbauposition (Vorlauf oder Rücklauf bzw. heiße oder kalte Leitung) montieren.
- Für einfachen Eichaustausch des Zählers sollten vor und nach dem Zähler stets Absperrorgane installiert werden. Der Durchflusssensor sollte für Service und Bedienpersonal bequem erreichbar installiert werden.
- Der Durchflusssensor kann sowohl horizontal als auch vertikal eingebaut werden, jede beliebige Einbaulage ist zulässig.
- Das Anschlussgehäuse (Elektronik) sowie die Rippe des Aluminium-Halters muss bei vollständiger Isolierung aus der Isolierung herausragen (Abb. 1)
- Bei zu erwartenden Medium-Temperaturen über 130°C und voll isoliertem Zähler muss der Zähler so montiert werden, dass die Elektronik zu Seite geneigt ist (Abb. 2).
- Die Auswahl des Installationsortes hat so zu erfolgen, dass sich im Zähler keine Luft sammeln kann (Abb. 3).
- Beruhigungsstrecken vor und hinter diesem Durchflusssensor sind nicht erforderlich. Jedoch empfehlen wir generell Beruhigungsstrecken min. 5xDN vorzusehen, sofern die Platzverhältnisse dies zulassen.
- Der Wärmezähler ist gegen Beschädigung durch Stöße oder Vibrationen zu schützen, die am Einbaort entstehen können.
- Bei Inbetriebnahme müssen die Absperrorgane langsam geöffnet werden.
- Flanschanschlüsse am Zähler müssen in Nennweite DN und Nenndruck PN (nach EN 1092) den jeweiligen Gegenstücken der Rohrleitung entsprechen. Das Messgerät darf keinen von Rohren oder Formstücken verursachten übermäßigen Spannungen ausgesetzt werden.
- Die Rohrleitungen des Heizungssystems sind vor und hinter dem Wärmezähler hinreichend zu verankern.
- Bei Flanschverbindungen müssen alle vorgesehenen Schrauben gesetzt werden. Alle verwendeten Schrauben, Muttern und Dichtungen müssen für die Nennwerte DN, Druckstufe PN, die maximale Temperatur und den maximal zulässig Druck ausgelegt sein.
- Die Installation des AXONIC in den Ausführungen PN16/PN25 hat mit den dafür bestimmten Klappflanschen zu erfolgen (Abb.4).
- Itron Rechenwerke CF51 und CF55 können unter Verwendung des den RW beiliegenden Adapters direkt am Durchflusssensor montiert werden (Abb.5).
- Nach einem Feuer oder einer Explosion im näheren Umfeld des Durchflusssensors muss dieser ausgetauscht werden.

### 3.3 - Dichtungen



DN	PN	Ersatzteil-Nr.	Type	ø A	ø B
65	16-25	A4003392	IBC	127	77
	40	A4003393	SR	109	
80	16-25	A4003441	IBC	142	89
	40	A4003442	SR	120	
100	16-25	A4003443	IBC	168	115
	40	A4003444	SR	149	
150	16-25	A4003446	IBC	224	169
	40	A4003447	SR	203	

\*Dichtungen gemäß EN 1514-1

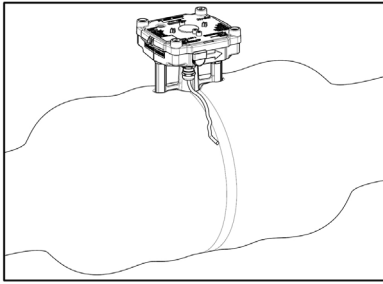


Abb.1: Isolierung bis zur Rippe des Elektronik-Halters

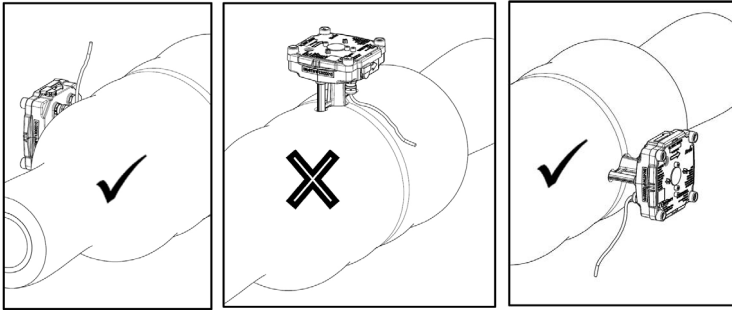


Abb.2: Ausrichtung des Zähler bei Medium-Temperatur 130...150°C

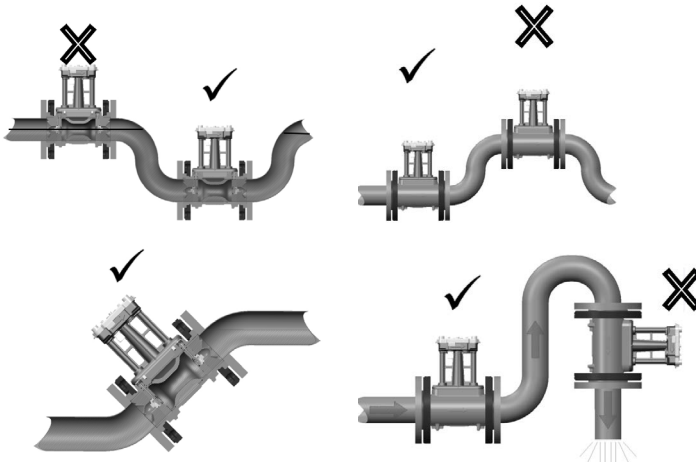


Abb.3: Durchflusssensor so montieren, das sich kein Luft sammeln kann.

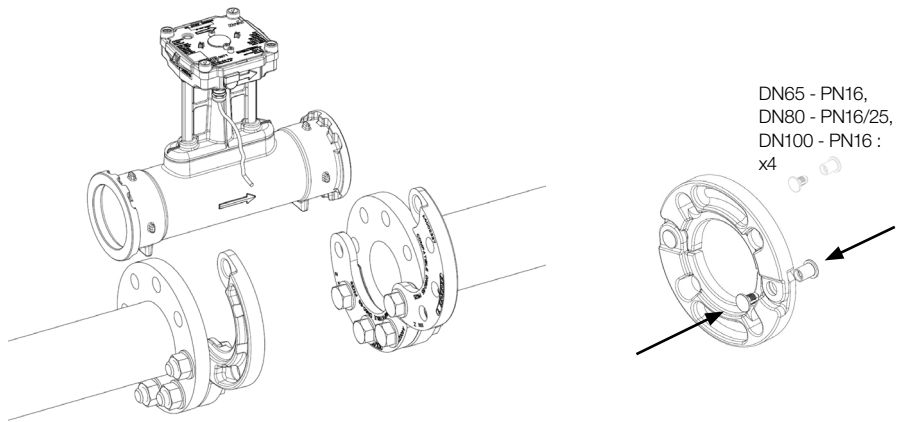


Abb.4: Installation mit Klappflanschen

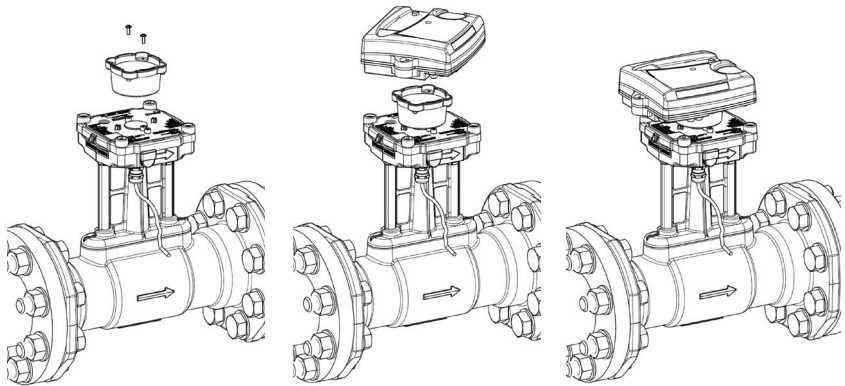


Abb.5: Befestigung Rechenwerk CF51 / CF55 direkt auf dem Axonic

#### 4 - ELEKTRISCHER ANSCHLUSS UND SPANNUNGSVERSORGUNG

Der Durchflusssensor AXONIC wird durch ein geeignetes Rechenwerk (z.B. CF51, CF55 oder CF800) oder durch eine externe Spannungsversorgung (z.B. Puls-Box oder andere geeignete Rechenwerke) mit Betriebsspannung versorgt.

##### 4.1 - Anschluss des Durchflusssensors an Rechenwerke

In der Standardausführung wird AXONIC mit einem Anschlusskabel zur Verbindung des Durchflusssensors am Rechenwerk ausgeliefert. Dieser Anschluss (A) ist der für die Spannungsversorgung und Ausgabe von Volumenimpulsen für die Energiemessung vorgesehene und zugelassene Anschluss.

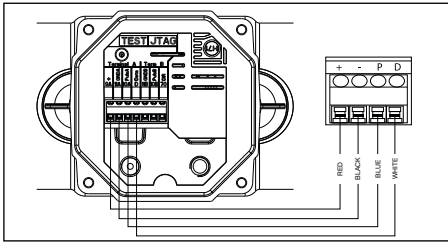
Optional wird AXONIC inkl. eines zweiten Anschlusskabels ausgeliefert. Über diesen Anschluss (B), der z.B. für die Aufschaltung auf ein GLT-System vorgesehen ist, werden Volumenimpulse und die Durchflussrichtung ausgegeben.

Die Konfiguration der Pulsausgänge A und B kann voneinander abweichend sein. Vor dem Anschluss an Rechenwerke ist sicherzustellen, dass die Anschlussdaten kompatibel zueinander sind (Angaben auf den Typenschildern beachten!).

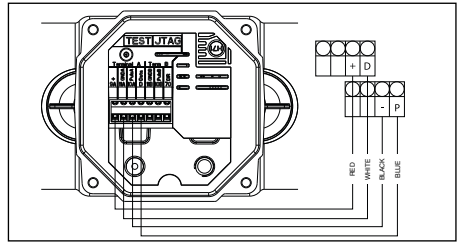
Anschluss des AXONIC an Rechenwerke gemäß folgendem Anschluss-Schema:



Vor dem Anschluss an andere Systeme ist sicherzustellen, dass eine galvanische Trennung gewährleistet ist. (Z.B. durch den Einsatz einer Itron Puls-Box)



Anschluss Axonic an CF51, CF55 oder



Anschluss Axonic an C800

## 4.2 - Spezifikation der Anschlussleistungen des AXONIC

Ausgang A: 4-adrige Anschlussleitung, (ø 4 mm).

Reihenfolge beim Anschluss an Rechenwerke und Zuordnung der Aderfarben:

- 1 - Weiß: Datenverbindung (D)
- 2 - Blau: Volumenimpuls A (P)
- 3 - Schwarz: Masse (-)
- 4 - Rot: Spannungsversorgung AXONIC (+)

Ausgang B: 3-adrige Anschlussleitung, Zuordnung der Aderfarben :

- Rot: Volumenimpuls B
- Schwarz: Masse (-)
- Weiß: DIR (Durchflussrichtung): high (1) = in Flussrichtung, low (0): gegen Flussrichtung

## 4.3 - Charakteristik der Impulsausgänge (A+B):

- Ausführung: Open drain
- Klassifizierung: EN1434-2 Klasse OB, OC und OD
- Polarität: Polarität gemäß Anschluss-Schema beachten!
- Max. Eingangsspannung: 30V DC
- Max. Eingangsstrom: 20mA
- Einschaltzustand (Puls ON):  $\leq 0,3V$  bei 0,1 mA /  $\leq 2V$  bei 27mA
- Ausschaltzustand (Puls OFF):  $\geq 6 M\Omega$
- Max. Impuls-Frequenz: 128 Hz
- Impulswertigkeit: 8 Impulse/L bis 2500 L/Impuls (siehe Typenschild)
- Impulslänge:  $\geq 5ms$ , optional bis 500ms (siehe Tabelle / Typenschild)
- Maximale Kabellänge: 10m.

		DN65 - qp 25	DN80 - qp 40	DN100 - qp 60	DN150 - qp 150
Impulswertigkeit		Impulslänge (ms)			
8	p/L	5	n.a.	n.a.	n.a.
4	p/L	n.a.	5	n.a.	n.a.
2	p/L	n.a.	n.a.	5	5
1	L/p	20	20	10	10
2,5	L/p	50	50	20	50
10	L/p	100** (200, 500)	100** (200)	100	100
25-2500	L/p	100** (200, 500)	100** (200, 500)	100** (200, 500)	100** (200, 500)

\*\*Standard: 100ms, Werte in Klammern auf Anfrage



#### 4.4 - Spannungsversorgung

- Versorgungsspannung: 3,2 ... 6V DC
- Mittlere Stromaufnahme: < 50  $\mu$ A.
- Maximale Stromaufnahme: < 3 mA

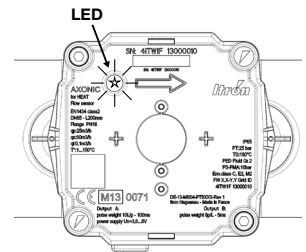
#### 4.5 - Optional: Anschluss AXONIC und Rechenwerke unter Verwendung der Puls-Box

Die Puls-Box bietet folgende Funktionalität:

- Rechenwerksunabhängige Spannungsversorgung des AXONIC.
- Galvanische Trennung AXONIC vom Rechenwerk.
- Impulsverlängerung von AXONIC-Volumenimpulsen.
- 2-adriger Impulsausgang

Charakteristik des Impulsausgangs:

- Ausführung: Open collector
- Polarität: Polarität gemäß Anschluss-Schema beachten!
- Max. Eingangsspannung: 30V DC
- Max. Eingangsstrom: 20mA
- Einschaltzustand (Puls ON):  $\leq 0,3V$  bei 0,1 mA /  $\leq 2V$  bei 27mA
- Ausschaltzustand (Puls OFF):  $\geq 6 M\Omega$
- Max. Impuls-Frequenz: 1 Hz
- Impulslänge: 135ms  $\pm$  35ms
- Maximale Kabellänge: 10 m



#### 5 - FUNKTIONSÜBERPRÜFUNG UND INBETRIEBNAHME

Funktionsprüfung am AXONIC:

Zur einfachen Funktionsprüfung des Durchflusssensors verfügt der AXONIC über eine Leuchtdiode (LED), deren Blinksequenz (Wiederholung alle 10s) abhängig vom Betriebszustand variiert:

Bedeutung	Anzahl Blinksignale	Signal/Periode/Wiederholung
Durchfluss vorhanden	1	20ms (LED AN) / 10s
Luft im sensor	2	20/500ms (LED AN/AUS) / 10s
Niedriger Signalepegel	3	20/500ms (LED AN/AUS) / 10s
Maximaldurchfluss überschritten	4	20/500ms (LED AN/AUS) / 10s
Falsche Durchflussrichtung	5	20/500ms (LED AN/AUS) / 10s
Produkt im Prüfmodus	dauerhaftes blinken	20/500ms (LED AN/AUS) / permanent
Produkt-Konfiguration nicht verriegelt	Blinksignal wie oben 1...5, jedoch invertiert	500/20ms (LED AN/AUS) / 10s
Produkt-Konfiguration fehlerhaft	LED leuchtet permanent	Permanent (LED AN)

Funktionsprüfung am Rechenwerk:

Eine Funktionskontrolle und Plausibilitätsprüfung erfolgt anhand der Durchfluss- und Volumenanzeige gemäß Montage- und Bedienungsanleitung des Rechenwerks.

Inbetriebnahme

Nach erfolgreicher Funktionsprüfung ist der AXONIC nun fertig zur Inbetriebnahme und technischen Abnahme.



Gemeinsam **die Ressourcen der Welt** schützen.  
Informationen unter [itron.com/de](http://itron.com/de)

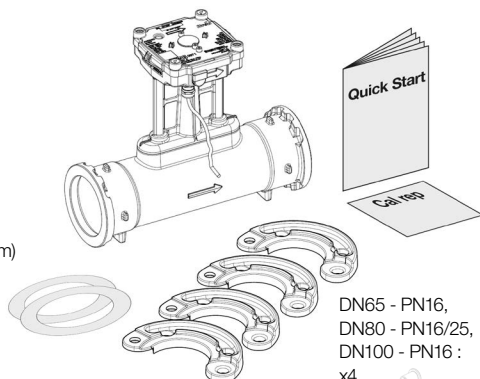
**ITRON**

Allmess GmbH  
Am Vossberg 11  
D-23758 Oldenburg in Holstein

**Tel.:** +49 4361 625 0

**Fax:** +49 4361 625 258

Auch wenn Itron ständig bemüht ist, den Inhalt des Marketingmaterials so aktuell und zutreffend wie möglich zu gestalten, übernimmt Itron keine Verantwortung für die Richtigkeit, Vollständigkeit oder Eignung dieses Materials und schließt ausdrücklich jede Haftung für Fehler und Auslassungen aus. Bezüglich dieses Marketingmaterials wird weder explizit noch implizit oder statutarisch irgendeine Gewähr übernommen, einschließlich, aber nicht beschränkt auf keinerlei Garantien zur Nichtverletzung von Rechten und Ansprüchen Dritter, zur Gebrauchstauglichkeit und Eignung für einen bestimmten Zweck. © Copyright 2017 Itron. Alle Rechte vorbehalten. HE-0058.4-ig-ML-02.1B 17768-AA



## 1 - PIÈCES LIVRÉES AVEC L'AXONIC :

- 1 débitmètre incluant les câbles de connections (l = 3m ou 10m)
- Les brides amovibles. (Versions PN16 et PN25 uniquement)
- 1 jeu de joints
- 1 notice de montage et d'utilisation
- Rapport d'étalonnage et déclaration CE

## 2 - INDICATIONS GÉNÉRALES

Le débitmètre AXONIC est un instrument de mesure électronique sophistiqué. Il convient de se conformer rigoureusement aux instructions suivantes afin de garantir un montage correct et remplir toutes les conditions de sécurité et de garantie.

Pour les compteurs installés en France :

L'arrêté du 3 septembre 2010, relatif à l'installation des compteurs d'énergie thermique, stipule que les matériels doivent être installés conformément à la décision d'approbation de modèle, éventuellement complétée par les recommandations du constructeur.

L'installation d'un compteur d'énergie thermique utilisé dans un usage réglementé doit être vérifiée par un organisme autorisé (nous consulter).

### 2.1 - Recommandations en matière de sécurité

Les circuits d'eau chaude et réseaux d'alimentation électriques fonctionnent à des températures et pressions élevées, et sont soumis à de hautes tensions.

En cas d'utilisation non conforme, ils peuvent provoquer de graves blessures. C'est pourquoi seul un personnel qualifié et formé est habilité à installer ce produit. Avant toute installation / désinstallation de l'Axonic, il est obligatoire de fermer et purger la section de réseau concernée.

Le compteur Axonic est conçu pour des applications de comptage avec de l'eau qui est le fluide caloporteur autorisé par les approbations MID, froide, tiède ou chaude, les valeurs caractéristiques étant précisées pour chaque cas, à l'exclusion de tout autre liquide. Si le boîtier du débitmètre est soumis à des chocs violents, à des impacts, à des chutes de plus de 60 cm de haut ou à des contraintes similaires, il convient de remplacer le compteur. Les canalisations doivent être reliés à la terre électrique

Le système complet ou l'installation dans son ensemble qui utilisera le compteur Axonic doit être protégé par une vanne ou par un système de limitation de pression afin de respecter la pression maximale de l'équipement.

### 2.2 - Marques CE et classes de protection

*(voir la dernière page de ce document pour la déclaration CE du compteur d'énergie thermique)*

Le compteur AXONIC répond à toutes les exigences des directives CE applicables, et est homologué dans la classe environnementale C (Applications industrielles), conformément à la norme DIN EN 1434, MID classes environnementales E2 et M2 (MID 2014/32/EU) :

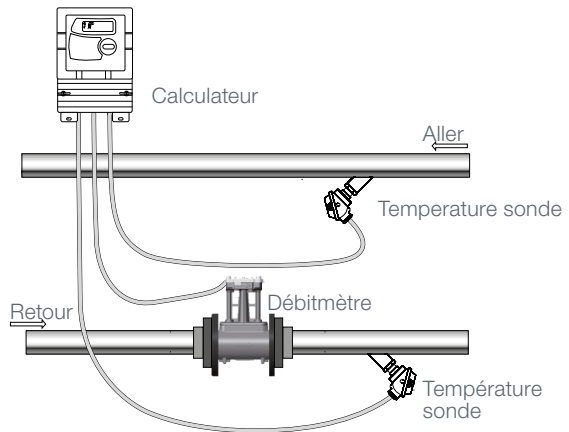
- Température ambiante :  $-25^{\circ}\text{C}$  ...  $+60^{\circ}\text{C}$  (installation à l'intérieur)
- Température de stockage :
  - Permanente :  $T^{\circ}\text{MIN} = -25^{\circ}\text{C}$   $T^{\circ}\text{MAX} = 60^{\circ}\text{C}$
  - Max  $+70^{\circ}\text{C}$  (< 24 heures en continu)
- Mesureur Axonic IP 68 (une semaine sous 1,2 mètre d'eau à température ambiante)
- L'Axonic est conforme à la DIRECTIVE 2014/68/UE (uniquement pour la version thermique), groupe de fluides 2 (Approuvé pour l'eau uniquement).
- Le Mesureur Axonic contient des composants qui ne peuvent pas être traités comme des déchets ménagers courants, mais éliminés conformément aux réglementations en vigueur
- La classe métrologique du compteur d'énergie thermique complet, constitué de sous-ensembles (débitmètre, calculateur et paire de sondes de température) assemblés et installés selon les conseils d'installation du fabricant, respecte la classe métrologique indiquée sur la plaque signalétique du débitmètre.

### 2.3 - Autres consignes importantes

- Ne pas tenir le débitmètre pas les câbles de connections.
- La position de montage devra être choisie de façon à ce que le câble de raccordement du débitmètre et les câbles des sondes de température se trouvent éloignés des câbles secteur ou d'autres sources de perturbations électromagnétiques (à une distance minimale de 50 cm).
- Les câbles ne doivent pas être installés le long de canalisations dont la température dépasse 60 °C.
- La dégradation des marques de vérification primitive entraînera la perte de validation de l'étalonnage et de la garantie.
- Briser les dispositifs de scellés stoppe la garantie de conformité à la directive 2014/68/UE (Seulement pour la version thermique).
- Seul l'extérieur du boîtier peut être nettoyé avec un chiffon doux et humide. N'utilisez pas de détergents.
- L'installation doit être effectuée conformément à la norme EN 1434.
- Il peut y avoir des règles locales qui doivent être suivies mais pas couvertes dans ce manuel. S'il vous plaît, vérifier avec les experts du pays dans lequel le compteur sera installé.

### 2.4 - Application

Le débitmètre Axonic est un sous-ensemble destiné à des systèmes de mesure de l'énergie thermique, qui comprend un débitmètre, un calculateur (modèle Itron CF51, CF55 ou CF800) ainsi qu'une paire de sondes de température. Les spécifications d'entrée du calculateur et les spécifications de sortie du débitmètre doivent être conformes afin de garantir une mesure correcte de l'énergie, notamment le poids d'impulsion du débitmètre (L/impulsion) et la position du débitmètre (conduite retour ou Aller) – voir les plaques signalétiques des deux sous-ensembles.



## 3 - MONTAGE DU DEBITMETRE

### 3.1 - Conditions de fonctionnement, matériaux et dimensions

Les paramètres de fonctionnement du circuit de chauffage ou de climatisation ne doivent pas dépasser la pression maximale admissible (PMA) ni la température de fonctionnement indiquées sur la plaque signalétique.

- Température de fonctionnement permanente max. : version chauffage 130°C/150°C (permanent/accidentel); version climatisation 50°C
- PMA à des températures extrêmes :
  - PN16 120°C < Pression maximale : 15,2 bar < 130°C
  - PN25 120°C < Pression maximale : 23,8 bar < 130°C

Pression minimale pour éviter la cavitation interne :

- Pour les températures de fluide < 100°C : 1 bar
- Pour les températures de fluide > 100°C pression minimale pour maintenir l'eau à l'état liquide + 1 bar

Matériaux :

- Matériau du joint torique : EPDM (canal de mesure) & FKM
- Matériau du corps : Bronze pour les versions PN16 et 25, acier inoxydable pour la version PN40.
- Support de transducteur : laiton plaqué (PN16 et PN25), acier inoxydable (PN40)
- Canal de mesure, stabilisateur : thermoplastique
- Membrane : acier inoxydable

Perte de pression : à qp/50°C (bar)

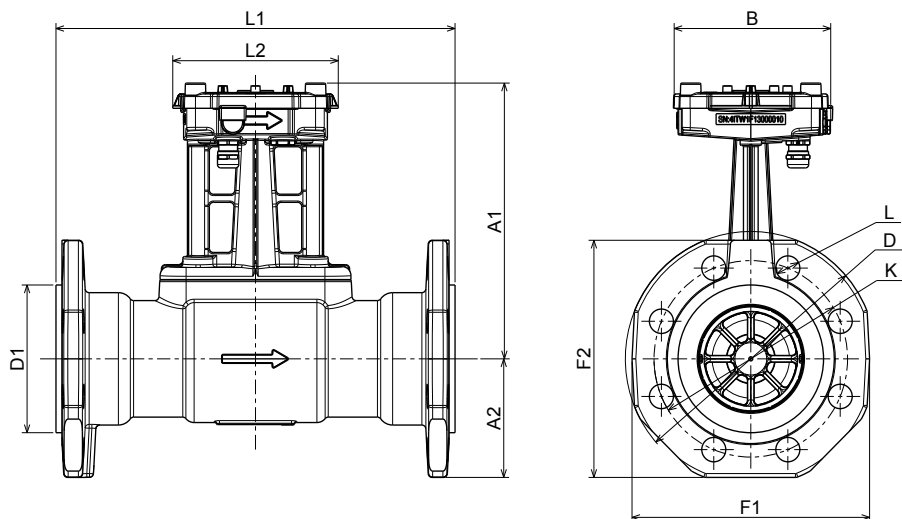
DN65	< 0.10 bar
DN80	< 0.17 bar
DN100	< 0.13 bar
DN150	< 0.15 bar

Pour obtenir plus de données techniques, reportez-vous au tableau :

Type	DN65 qp25			DN80 qp40			DN100 qp60			DN150 qp150			
	PN16	PN25	PN40	PN16	PN25	PN40	PN16	PN25	PN40	PN16	PN25	PN40	
Longueurs selon version	L1 mm	200	300	300	200	300	350	250	360	400	300	500	300
		300			225			360			500		
					300			400					
					350								
Electronique	L2 mm	124	124	124	124	124	124	124	124	124	124	124	124
	B mm	119	119	119	119	119	119	119	119	119	119	119	119
Hauteur	A1 mm	204	204	204	209	209	209	219	219	219	244	244	244
	A2 mm	93	93	88	100	100	100	111	118	112	143	150	144
Diamètre	K mm	145	145	145	160	160	160	180	190	190	240	250	250
Bolt holes Diameter	L mm	19	19	18	19	19	18	20	23	22	24	28	26
Nombre de perçages		4	8	8	8	8	8	8	8	8	8	8	8
Dimensions* Brides	D mm	185	185	188	200	200	203	220	235	238	285	300	300
	D1 mm	108	108	109	128	128	120	156	156	149	216	216	203
	F1 mm	-	-	178	-	-	194	-	-	228	-	-	288
	F2 mm	-	-	175	-	-	190	-	-	224	-	-	288
Poids selon longueurs	kg (mm)	8,0 (200)	9,0 (300)	10,5 (300)	9,3 (200)	10,4 (300)	14,0 (350)	13,0 (250)	16,0 (360)	20,0 (400)	24,0 (300)	31,0 (500)	32,0 (300)
			9,0 (300)		9,6 (225)	10,4 (300)	10,9 (350)	14,0 (360)	15,0 (400)		28,0 (500)		

\*Brides PN16 et PN 25 selon norme EN 1092-2 / Brides mobiles Type B

\*Brides PN40 selon norme EN 1092-1 / Type 21 PN40 ESM Type E

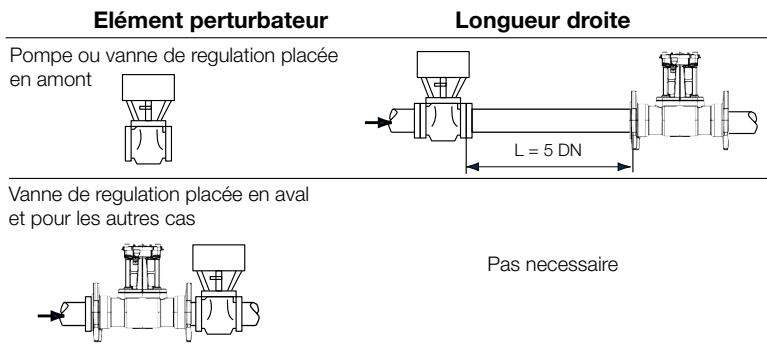


### 3.2 - Instructions de montage

- N'effectuez jamais de travaux de soudage ou de perçage à proximité du compteur.
- Toutes les opérations de manipulations doivent être faites avec les anneaux de levage du produit. En cas d'impossibilité d'utiliser ces anneaux, les opérations de manutention peuvent être fait à la main.
- Danger potentiel : ne dévissez PAS les vis du capteur US en bronze ou en acier inoxydable pendant le fonctionnement !
- Laissez le compteur dans son emballage d'origine jusqu'à ce que toutes les travaux de canalisation, d'isolation, de peinture et d'entretien aient été accomplies.
- Installez toujours le compteur selon la position de montage indiquée sur la plaque signalétique du calculateur (conduite aller ou retour, application chauffage ou climatisation). Il est recommandé d'installer les vannes d'isolement à proximité du mesureur afin de simplifier la maintenance. Le compteur doit être installé dans une position accessible au personnel d'entretien et d'exploitation.
- Le boîtier électronique doit être visible en cas d'isolation thermique. (Voir Fig. N°1)
- En cas de températures du fluide supérieures à 130°C, le débitmètre doit être installé, de préférence, de façon à ce que l'électronique soit placée sur le côté de la canalisation et non au-dessus. (Voir Fig. N°2) Assurez-vous que le compteur reste toujours rempli d'eau après installation. (Voir Fig. N°3)
- En principe, les sections de stabilisation avant et après le mesureur ne sont pas nécessaires. Nous recommandons toutefois de concevoir des sections de stabilisation 5xDN si l'espace pour l'installation est suffisant ou si les éléments perturbateurs présents en amont sur l'installation ne sont pas comparables aux éléments perturbateurs de référence de l'EN1434.
- Le mesureur peut être installé dans des tronçons de canalisation horizontaux ou verticaux, mais jamais, dans une position dans laquelle des bulles d'air peuvent être emprisonnées au niveau du mesureur.
- Le mesureur est installé sur une canalisation exempte de vibrations et de « coup de bélier ».
- Les brides de raccordement du compteur doivent correspondre au diamètre nominal DN et à la pression nominale PN (selon la norme EN 1092) des pièces correspondantes des canalisations. Le mesureur doit être installé sur des canalisations sans aucune contrainte mécanique. Les canalisations amont et aval du compteur doivent être solidement fixées. En cas de raccords à brides, tous les boulons doivent être utilisés et serrés. Tous les boulons, écrous et joints utilisés doivent être conformes au diamètre nominal DN, au niveau de pression PN, ainsi qu'à la température et pression maximales admissibles.
- Installation de l'AXONIC avec les brides mobiles. (Voir Fig. N°4)
- Les calculateurs CF 51 et CF 55 peuvent être installés sur le débitmètre au moyen de l'adaptateur fourni avec ce dernier. (Montage compact Voir Fig. N°5)
- Si des réparations ou une remise en état sont nécessaires, le débitmètre doit être retourné au fabricant ou à un atelier de réparations agréé par le fabricant.
- Le compteur Axonic doit être remplacé en cas d'incendie, d'explosion à sa proximité.

### 3.3 - Conditions de pose liées à la réglementation VCI du 03/09/2010

- |   |  |
|---|--|
| • Environnement : Débitmètre IP67/ 5°C à 55°C | - Calculateur et sondes IP54 5°C à 55°C  |
| • Humidité relative < 95 %                    | • Longueurs droites : tableau ci-dessous |
| • Toutes positions                            | • Fluide Caloporteur : Eau               |
| • Débit max. d'acceptation : inférieur à Qs   | • Pression : > 1 bar                     |



Les éléments perturbateurs de références sont ceux de la norme EN1434-2007, en cas d'éléments perturbateurs différents utiliser une longueur droite de 5 DN.

## Joint

DN	PN	Reference	Type	ø A	ø B
65	16-25	A4003392	IBC	127	77
	40	A4003393	SR	109	
80	16-25	A4003441	IBC	142	89
	40	A4003442	SR	120	
100	16-25	A4003443	IBC	168	115
	40	A4003444	SR	149	
150	16-25	A4003446	IBC	224	169
	40	A4003447	SR	203	

\*Épaisseur selon la norme NF EN 1514-1 et selon le fournisseur

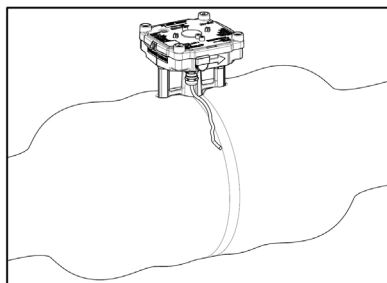
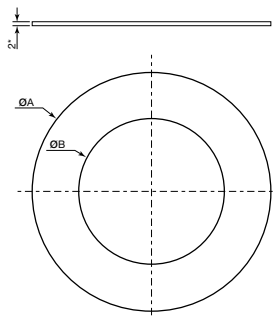


Fig N°1:  
Niveau max d'isolation thermique

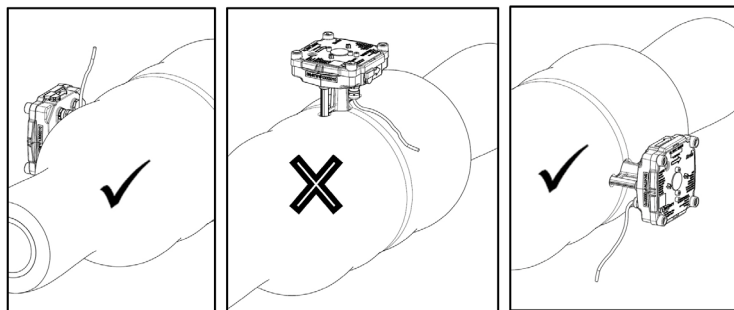


Fig N°2: 130°-150°C  
avec isolation thermique

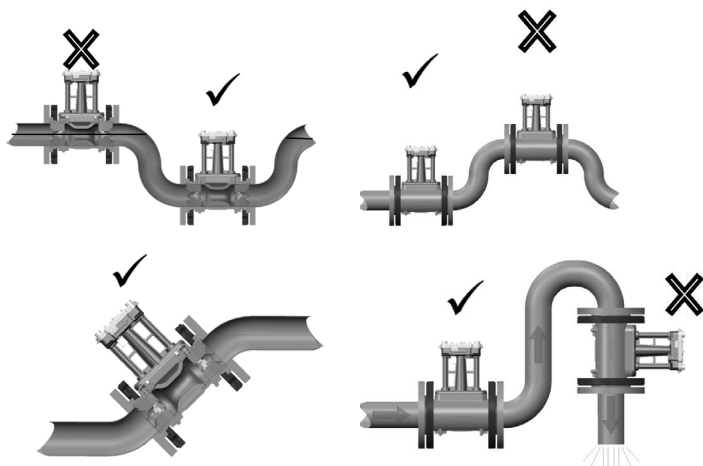


Fig N°3:  
Le mesureur doit  
toujours être rempli  
entièrement de liquide

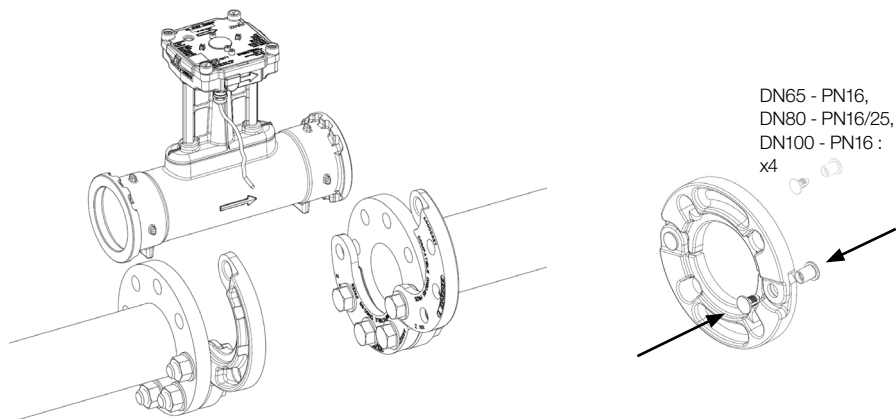


Fig N°4 : Installation AXONIC avec brides mobiles

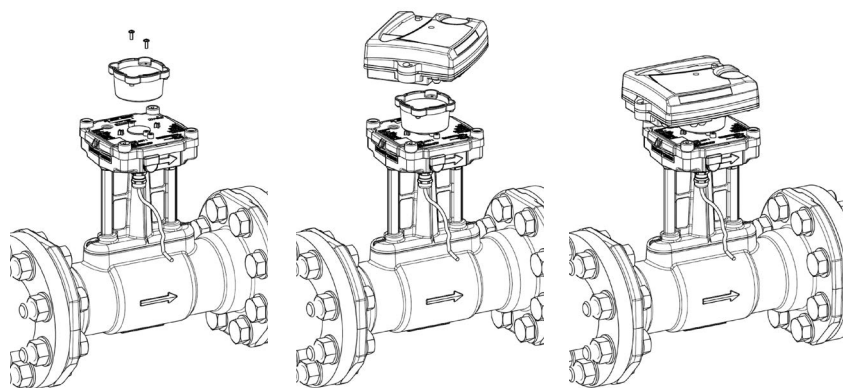


Fig N°5 : Montage avec intégrateur CF51/CF55 sur AXONIC

#### 4 - RACCORDEMENT ÉLECTRIQUE ET ALIMENTATION

L'AXONIC doit être alimenté par l'intégrateur (CF 51, CF 55 ou CF 800) ou par une source d'alimentation externe.  
(ex. : Pulsbox Itron).

##### 4.1 - Raccordement du débitmètre à l'intégrateur


L'AXONIC est livré avec 1 câble, un pour la sortie d'impulsions A. En option un deuxième câble peut être livré pour la sortie d'impulsions B.

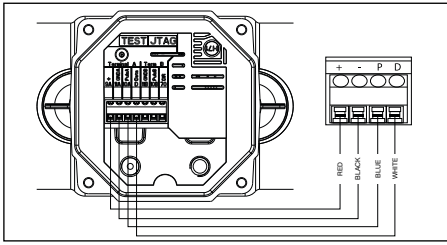
Cette option serait configurée en usine.

Cette sortie d'impulsions B suit la même spécification de matériel que la sortie A. Le poids d'impulsion et la largeur d'impulsion des sorties A et B sont indépendantes.

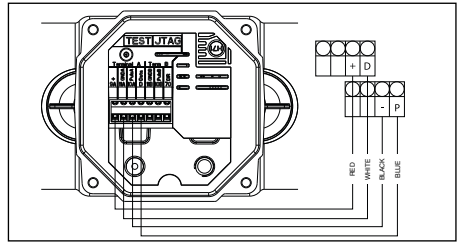
Avant de procéder au raccordement, assurez-vous que les poids d'impulsion du débitmètre et de l'intégrateur sont identiques !

Raccordez à l'intégrateur selon le schéma de câblage suivant (les figures montrent le schéma de câblage pour CF 51, CF 55, Pulsbox et CF 800).

 Avant de connecter à d'autres systèmes, assurez-vous qu'une isolation galvanique est garantie. (par exemple, en utilisant la PulseBox Itron)



Connection AXONIC/CF51-CF55-Pulse-Box



Connection AXONIC/C800

#### 4.2 - Spécification de raccordement à l'intégrateur

Câble A : câble de raccordement 4 fils, utilisé pour le raccordement à l'intégrateur

Affectation des couleurs des fils :

- 1 - ROUGE : alimentation AXONIC (+)
- 2 - NOIR : prise de terre (-)
- 3 - BLEU : impulsion A ou diagnostic
- 4 - BLANC :  $\mu$ Com/diagnostic

Câble B : câble de raccordement 3 fils, utilisé pour le raccordement à l'intégrateur

Affectation des couleurs des fils :

- ROUGE : Impulsion B
- NOIR : prise de terre (-)
- BLANC : DIR. (Sens d'écoulement : 1 = débit normal, 0 = débit inverse)

#### 4.3 - Caractéristiques des sorties d'impulsions :

- Conformes aux classes OB, OC et OD de la norme EN1434-2 / 7.1.3:
- Type : Collecteur ouvert
- Polarité : irréversible, consultez le schéma de câblage
- Durée de l'impulsion : voir tableau ci-dessous
- Tension maximale : 30V CC
- Courant maximal : 27 mA
- Chute de tension lors de la mise en marche :  $\leq 0,3V$  à 0,1 mA /  $\leq 2V$  à 27 mA
- Résistance lors de la mise à l'arrêt :  $\geq 6M\Omega$
- Fréquence de sortie maximale : 128 Hz
- Longueur d'impulsion selon tableau

		DN65 - qp 25	DN80 - qp 40	DN100 - qp 60	DN150 - qp 150
Poids d'impulsions		Longueur d'impulsions (ms)			
8	p/L	5	n.a.	n.a.	n.a.
4	p/L	n.a.	5	n.a.	n.a.
2	p/L	n.a.	n.a.	5	5
1	L/p	20	20	10	10
2,5	L/p	50	50	20	50
10	L/p	100** (200, 500)	100** (200)	100	100
25-2500	L/p	100** (200, 500)	100** (200, 500)	100** (200, 500)	100** (200, 500)

\*\*standard: 100ms



#### 4.4 - Alimentation

- Tension nominale : 3,2 ... 6V CC
- Consommation de courant moyenne : < 50  $\mu$ A. (dépend de la configuration du produit)
- Consommation de courant de crête I<sub>max</sub> : < 3 mA

#### 4.5 - Raccordement de l'AXONIC avec Pulse-Box à l'intégrateur (alimentation optionnelle)

L'interface Pulse-Box offre les fonctionnalités suivantes :

- Alimentation de l'AXONIC indépendamment de l'intégrateur.
- Isolation galvanique entre l'AXONIC et l'intégrateur.
- Longueur d'impulsion : augmentation des impulsions de l'AXONIC.

Avant de procéder au raccordement, assurez-vous que l'impulsion de l'AXONIC et de l'intégrateur correspondent !

Raccordement de l'AXONIC avec Pulse-Box à un intégrateur selon les instructions de montage : respectez les polarités !

Caractéristiques de la sortie d'impulsions :

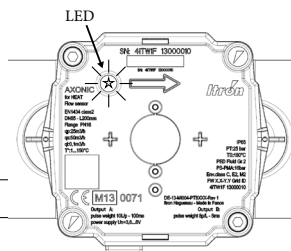
- |   |   |
|---|---|
| • Version :                                   | Collecteur ouvert polarisé  |
| • Polarité :                                  | Respectez le schéma de câblage  |
| • Durée d'impulsion :                         | (Tableau ci-dessous)  |
| • Tension d'entrée maximale :                 | 30 V CC   |
| • Courant d'entrée maximal :                  | 27 mA   |
| • Chute de tension lors de la mise en route : | $\leq 0,3 \text{ V à } 0,1 \text{ mA}, \leq 2,0 \text{ V à } 27 \text{ mA}$ |
| • Résistance lors de la mise à l'arrêt :      | $\geq 6 \text{ M}\Omega$  |
| • Fréquence d'impulsion maximale :            | 1Hz   |
| • Longueur maximale du câble :                | 10 m  |

#### 5 - CONTROLE DES FONCTIONS DE L'AXONIC

Une diode électroluminescente (LED) fourni à l'utilisateur des informations visuelles sur l'état du produit. Ces informations sont également reportées sur le calculateur CF 51/55/800.

La Diode (LED) clignote dans les cas suivants :

	1 clignotement/20 ms	Présence de débit
	2 clignotement consécutifs/20 ms	Présence d'air ou Alarme ASIC
	3 clignotements consécutifs/20 ms	Alarme signal US faible
	4 clignotements consécutifs/20 ms	Alarme métrologique - Débit > Q stop
	5 clignotements consécutifs/20 ms	Débit inverse
	Allumé en continu	Mode test



Ensemble, nous pouvons créer **un monde plein de ressources.**  
Pour en savoir plus, visitez **itron.fr**

Bien qu'Itron s'efforce de publier des informations les plus à jour et les plus exactes possible dans l'ensemble de ses supports de marketing et de communication, Itron ne revendique pas, ni ne s'engage, ni ne garantit l'exactitude, l'exhaustivité ou l'adéquation de ses supports et décline expressément toute responsabilité pour les erreurs et omissions qui y seraient contenues. Aucune garantie d'aucune sorte, implicite, expresse ou légale, y compris mais sans s'y limiter, les garanties de non-violation des droits des tiers, le titre, la qualité marchande et l'adéquation à un usage particulier, n'est donnée quant au contenu de ces supports de marketing et de communication.  
© Copyright 2017, Itron. Tous droits réservés. HE-0058.4-ig-ML-02.18 17768-AA

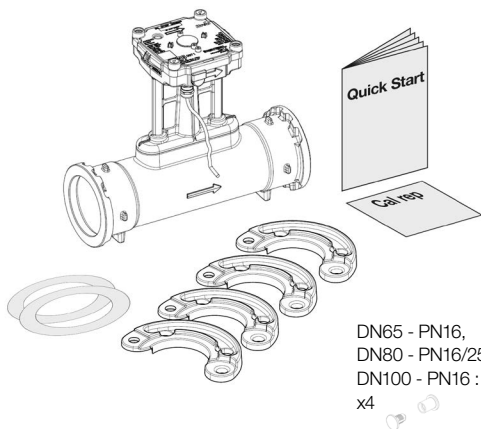
#### ITRON

52, rue Camille Desmoulins  
92130 - Issy-les-Moulineaux  
France

Tel.: +33 1 46 62 23 00  
Fax: +33 1 46 62 24 77

# Axonic PL

Instrukcja obsługi



## 1 - DOSTARCZONE ELEMENTY

- 1 przetwornik przepływu z kablem o długości (l= 3m lub 10m).
- 2 ruchome kołnierze (tylko wersje PN16 i PN25).
- 1 komplet uszczelek.
- 1 instrukcja montażu i obsługi.
- Na zamówienie raport kalibracji.

## 2 - WSKAZÓWKI OGÓLNE

Axonic jest zaawansowanym elektronicznie przyrządem pomiarowym. Aby zapewnić prawidłowy montaż, spełnić wszystkie warunki bezpieczeństwa i gwarancji należy dokładnie przestrzegać poniższych instrukcji i zaleceń.

### 2.1 - Ważne informacje, z którymi należy się zapoznać przed montażem

System ciepłowniczy pracuje w warunkach wysokiej temperatury i ciśnienia, ponadto ciepłomierze mogą być zasilane z sieci 230V AC. Jeżeli urządzenia nie są właściwie obsługiwane mogą być przyczyną powstania wypadków. W związku z tym, montaż liczników powinien być wykonany tylko przez wykwalifikowany i przeszkolony personel.

Rurociąg ciepłowniczy musi być uziemiony. W celu zapewnienia prawidłowego pomiaru energii cieplnej, montaż ciepłomierza należy wykonać starannie, zgodnie z zaleceniami normy (PN-EN 1434-6). Ciepłomierz należy zamontować w taki sposób, aby zapewnić dogodny odczyt licznika oraz możliwość demontażu w celu dokonania ponownej legalizacji. Jeżeli przetwornik przepływu został poddany silnym wstrząsom, uderzeniom lub upadkom z wysokości większej niż 60 cm, urządzenie należy wymienić na nowe.

System ciepłowniczy, w którym będzie zamontowany przetwornik przepływu musi być zabezpieczony przed przekroczeniem dopuszczalnej wartości ciśnienia poprzez montaż reduktorów lub systemu automatycznej regulacji ciśnienia.

### 2.2 - Oznaczenia CE i klasy ochrony (Patrz ostatnia strona tego dokumentu: Deklaracja zgodności)

Przetwornik przepływu Axonic spełnia wszystkie wymagania stosowane w WE i jest zatwierdzony w klasie środowiskowej C zgodnie z normą DIN, EN 1434, MID klasa środowiskowa E2 i M2 (MID 2014/32/EU):

- Temperatura otoczenia: -25°C ... +60°C (w pomieszczeniu zamkniętym).
- Temperatura przechowywania:
  - Stała: -25°C ... +60°C.
  - Maksymalna: +70°C (< 24 godzin).
- Stopień ochrony obudowy dla przetwornika przepływu IP68.
- Klasa metrologiczna kompletnego ciepłomierza (składającego się z przelicznika ciepła, przetwornika przepływu i czujników temperatury) zamontowanego zgodnie z wymaganiami producenta spełnia klasę metrologiczną wskazaną na tabliczce znamionowej przetwornika.
- Axonic jest zgodny z dyrektywą 2014/68/UE (tylko dla ciepła), grupa płynów 2 (certyfikat dla wody).
- Zużyte urządzenia elektryczne muszą być przechowywane w odpowiednich pojemnikach i utylizowane zgodnie z lokalnymi przepisami.

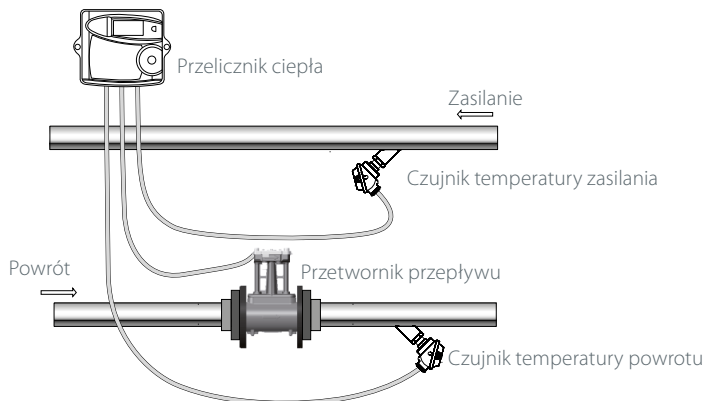
### 2.3 - Kolejne ważne informacje

- Nigdy nie podnoś przetwornika ciągnąc za kabel.
- Pozycję montażu należy dobrać tak, aby kable przetwornika przepływu i czujników temperatury nie znajdowały się w pobliżu kabli energetycznych lub innych źródeł zakłóceń elektromagnetycznych (minimalna odległość 50 cm).
- Kable elektryczne nie powinny być montowane wzdłuż rur o temperaturze powyżej 60°C.
- Uszkodzenie plomb legalizacyjnych spowoduje utratę ważności kalibracji oraz gwarancji.
- Uszkodzenie plomb zabezpieczających spowoduje utratę ważności gwarancji zgodnie z dyrektywą PED 2014/68/UE.
- Obudowę przetwornika można czyścić tylko z zewnątrz, miękką, wilgotną szmatką. Nie wolno używać detergentów.
- Montaż musi być przeprowadzony zgodnie z wymaganiami normy PN-EN 1434.
- W przypadku obowiązywania dodatkowych wymagań niewymienionych w tej instrukcji, należy skontaktować się z lokalnym dystrybutorem.

## 2.4 - Zastosowanie

Przetwornik przepływu jest jednym z elementów ciepłomierza, który składa się z przetwornika przepływu, przelicznika wskazującego (np. CF51, CF55 lub innego) i czujników temperatury.

Aby zapewnić poprawny pomiar energii, parametry wejścia impulsowego przelicznika ciepła i wyjścia impulsów przetwornika przepływu muszą być zgodne (szczegóły na tabliczkach znamionowych obu urządzeń). Przetwornik przepływu należy montować zawsze zgodnie z lokalizacją podaną na tabliczce znamionowej przelicznika ciepła (ZASILANIE – w rurociągu zasilającym, POWRÓT – w rurociągu powrotnym).



## 3 - MONTAŻ PRZETWORNIKA PRZEPEŁYWU

### 3.1 - Warunki pracy, materiały i wymiary

Parametry pracy instalacji ogrzewania lub chłodzenia nie mogą przekroczyć maksymalnego ciśnienia (PMA) i temperatury pracy wskazanej na tabliczce znamionowej.

- Maksymalna temperatura pracy: wersja na ogrzewanie 130°C / 150°C (ciągła/chwilowa); wersja na chłód 50°C.
- PMA w ekstremalnych temperaturach:
  - PN16 120°C <Maksymalne ciśnienie: 15.2 bar <130°C.
  - PN25 120°C <Maksymalne ciśnienie: 23.8 bar <130°C.

Minimalne ciśnienie, aby uniknąć wewnętrznej kawitacji:

- Dla temperatury cieczy <100°C: 1 bar
- Dla temperatury cieczy >100°C ciśnienie minimalne aby utrzymać wodę w stanie ciekłym +1 bar.

Materiały będące w kontakcie z wodą:

- Uszczelnienia: O-Ring: EPDM (kanał) & FKM.
- Korpus: brąz dla PN16 i PN25, stal nierdzewna dla PN40.
- Wspornik sondy: mosiądz niklowany (PN16 i 25), stal nierdzewna (PN40)
- Kanał pomiarowy, kierownica strumienia (stabilizator): Termo plastik Fenolowy
- Membrana: stal nierdzewna

Strata ciśnienia: dla  $q_v/50^\circ\text{C}$  [bar]

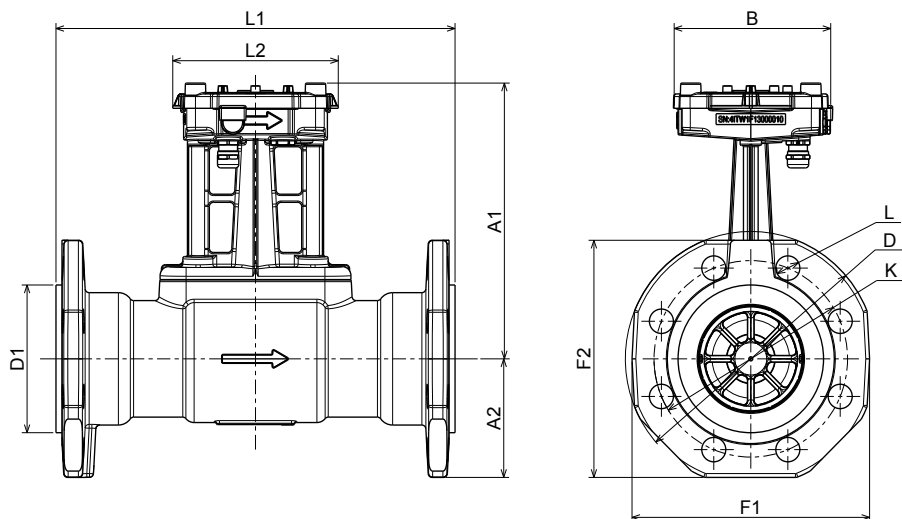
- DN65 < 0.10 bar
- DN80 < 0.17 bar
- DN100 < 0.13 bar
- DN150 < 0.15 bar

Dodatkowe informacje techniczne zgodnie z tabelą:

Typ	DN65 q <sub>p</sub> 25			DN80 q <sub>p</sub> 40			DN100 q <sub>p</sub> 60			DN150 q <sub>p</sub> 150			
	PN16	PN25	PN40	PN16	PN25	PN40	PN16	PN25	PN40	PN16	PN25	PN40	
Długość korpusu (dostępne wersje)	L1 mm	200	300	300	200	300	350	250	360	400	300	500	300
		300			225			360			500		
					300			400					
					350								
Moduł elektroniczny	L2 mm	124	124	124	124	124	124	124	124	124	124	124	
		B mm	119	119	119	119	119	119	119	119	119	119	
Wysokość	A1 mm	204	204	204	209	209	209	219	219	219	244	244	244
	A2 mm	93	93	88	100	100	100	111	118	112	143	150	144
Średnica rozmieszczenia otworów śrub mocujących	K mm	145	145	145	160	160	160	180	190	190	240	250	250
Średnica otworów śrub mocujących	L mm	19	19	18	19	19	18	20	23	22	24	28	26
Ilość otworów		4	8	8	8	8	8	8	8	8	8	8	8
Rozmiary kołnierzy	D mm	185	185	188	200	200	203	220	235	238	285	300	300
	D1 mm	108	108	109	128	128	120	156	156	149	216	216	203
	F1 mm	-	-	178	-	-	194	-	-	228	-	-	288
	F2 mm	-	-	175	-	-	190	-	-	224	-	-	288
Waga (długość)	kg (mm)	8,0 (200)	9,0 (300)	10,5 (300)	9,3 (200)	10,4 (300)	14,0 (350)	13,0 (250)	16,0 (360)	20,0 (400)	24,0 (300)	31,0 (500)	32,0 (300)
		9,0 (300)			9,6 (225)			14,0 (360)	15,0 (400)		28,0 (500)		
					10,4 (300)								
					10,9 (350)								

Kolnierze PN16 i PN25 zgodnie z PN-EN 1092-2 dla ruchomych kołnierzy połączenie typ B

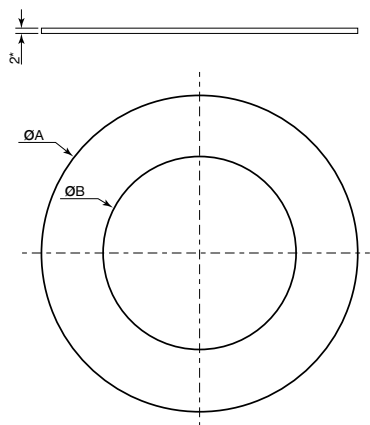
Kolnierze PN40 zgodnie z PN-EN 1092-1/Typ 21 męskie gniazdo z nasadką typ E



### 3.2 - Zalecenia montażowe

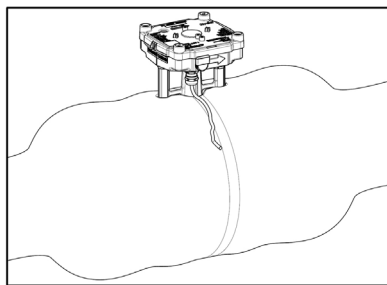
- Nie wolno wykonywać żadnych prac spawalniczych w pobliżu przetwornika przepływu.
- Wszystkie manipulacje typu podnoszenie, przenoszenie itp. należy wykonywać za pomocą specjalnego uchwytu. W przypadku braku uchwytu czynności te można wykonać ręcznie.
- Przetwornik powinien być przechowywany w opakowaniu do momentu zakończenia wszystkich czynności spawalniczych, czynności związanych z wykonaniem izolacji termicznej, malowaniem oraz płukaniem instalacji ciepłowniczej.
- Przetwornik należy montować zawsze zgodnie z lokalizacją podaną na tabliczce znamionowej przelicznika ciepła (ZASILANIE - rurociąg zasilający, POWRÓT- rurociąg powrotny). W celu ułatwienia demontażu i wymiany przetwornika przepływu zaleca się montaż zaworów odcinających przed i za przetwornikiem oraz dodatkowo kurka spustowego. Przetwornik powinien być zamontowany w miejscu i pozycji dogodnej dla pracowników obsługi i serwisu.
- Przetwornik może być zainstalowany w obu odcinkach rur poziomych i pionowych, każda pozycja jest dozwolona.
- Pozycja montażu dowolna (poziom, pion, skos), za wyjątkiem pozycji, przy której wewnątrz urządzenia mogą gromadzić się pęcherzyki powietrza.
- Aluminiowe uźebrowanie powinno być widoczne w przypadku izolacji cieplnej. (rys. 1).
- Przy temperaturach medium powyżej 130°C, izolowany przetwornik musi być zamontowany w taki sposób, aby układ elektroniczny znajdował się obok rury, a nie powyżej (rys. 2).
- Przetwornik przepływu musi być zawsze wypełniony cieczą (rys. 3).
- Zgodnie z certyfikatem Axonic nie wymaga odcinków prostych przed i za U0D0. Niemniej jednak, jeśli miejsce na to pozwala zaleca się projektować odcinki proste 5xDN.
- Ciepłomierz musi być zabezpieczony przed wstrząsami i wibracjami, które mogą wystąpić w miejscu montażu. Przy napełnianiu instalacji ciepłowniczej należy powoli otwierać zawory odcinające.
- Połączenia kotłernizowe muszą być zgodne ze średnicą nominalną DN i nominalnym ciśnieniem PN (wg PN-EN 1092). Przetwornik należy zamontować w sposób uniemożliwiający przenoszenie drgań i naprężeń z instalacji. Wszystkie śruby mocujące muszą być dokręcone. Zastosowane elementy takie jak: śruby, nakrętki i uszczelki muszą być zgodne z nominalnym DN oraz maksymalną dopuszczalną temperaturą i ciśnieniem PN.
- Montaż przetwornika Axonic z ruchomymi kotłernizami (rys. 4).
- Przeliczniki CF51 i CF55 mogą być zamontowane na przetworniku Axonic przy użyciu adaptera będącego na wyposażeniu przelicznika (rys. 5).
- W celu naprawy lub legalizacji, przetwornik przepływu musi być odesłany do producenta lub autoryzowanego punktu wskazanego przez producenta.
- Urządzenie musi być wymienione w przypadku wystąpienia pożaru lub wybuchu w jego bliskim sąsiedztwie.

### 3.3 - Uszczelki

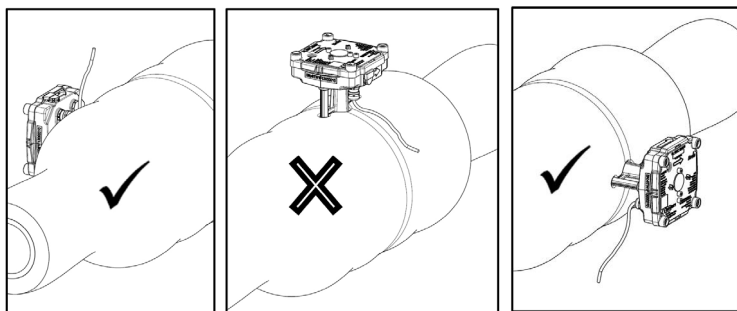


DN	PN	Nr ref.	Typ	ø A	ø B
65	16-25	A4003392	IBC	127	77
	40	A4003393	SR	109	
80	16-25	A4003441	IBC	142	89
	40	A4003442	SR	120	
100	16-25	A4003443	IBC	168	115
	40	A4003444	SR	149	
150	16-25	A4003446	IBC	224	169
	40	A4003447	SR	203	

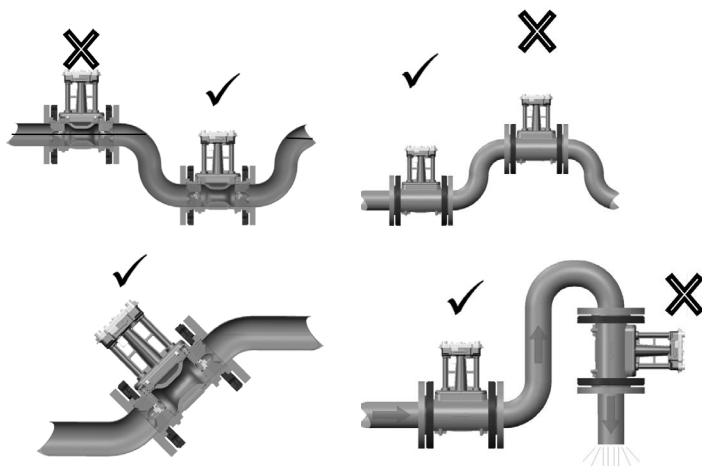
\* Grubość zgodnie z PN-EN 1514-1 i informacjami podanymi przez producenta.



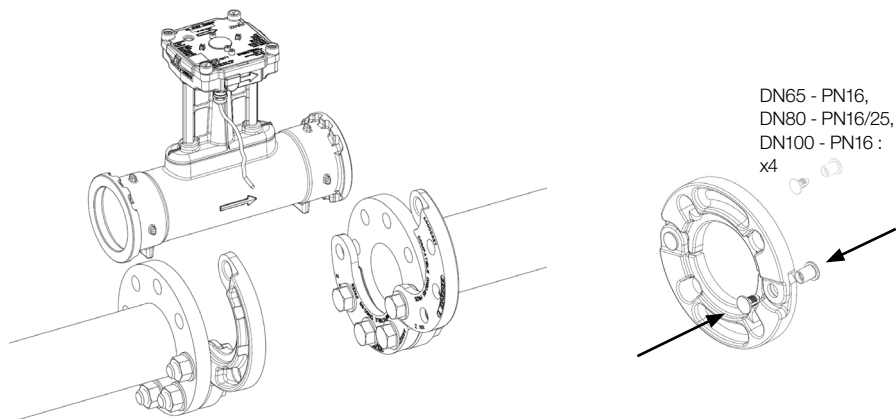
Rys.1 Maksymalna grubość otuliny izolacji.



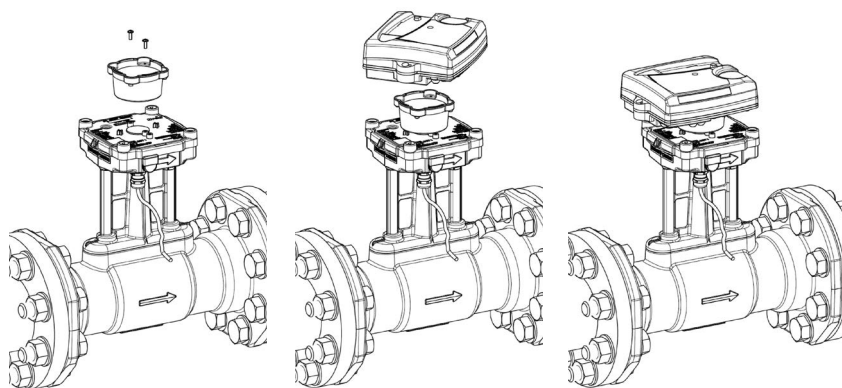
Rys. 2 Sposób montażu przy temperaturach w zakresie 130°C - 150°C.



Rys. 3 Przetwornik przepływu musi być zawsze w pełni wypełniony cieczą.



Rys. 4 Montaż przetwornika Axonic z ruchomymi kołnierzami.



Rys. 5 Montaż przelicznika ciepła CF51 lub CF55 na przetworniku Axonic.

## 4 - ZASILANIE

Axonic może być zasilany z baterii przelicznika ciepła lub wykorzystując zasilanie zewnętrzne (np. Itron PulsBox).

### 4.1 - Podłączenie przetwornika przepływu do przelicznika

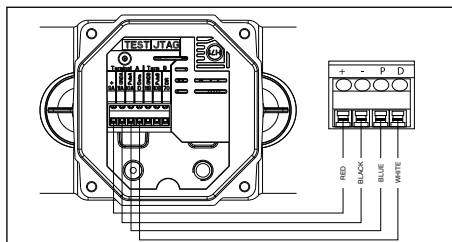
Axonic jest dostępny z jednym lub dwoma wyjściami impulsowymi. Wyjście impulsów A jest w standardzie, dodatkowe wyjście impulsów B dla zewnętrznego urządzenia (np. regulatora) oferowane jest jako opcja. Konfiguracja wyjść dokonywana jest przez producenta. Parametry elektryczne wyjścia A i B są takie same, natomiast parametry wagi impulsów i długości impulsu mogą być różne dla obu wyjść.

Przed podłączeniem należy się upewnić, czy wagi impulsów przetwornika przepływu i przelicznika ciepła są zgodne.

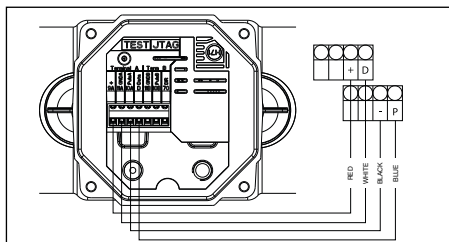
Przelicznik należy podłączyć zgodnie z poniższym rysunkiem.



Przed podłączeniem innych przeliczników upewnij się, że separacja galwaniczna jest zapewniona. (np. stosując urządzenie Pulsbox firmy Itron)



Podłączenie Axonic do CF51, CF55, PulseBox.



Podłączenie Axonic do CF800.

## 4.2 - Specyfikacja podłączenia do przelicznika

Wyjście A: kabel 4-przewodowy używany do podłączenia przelicznika.

Kolory przewodów:

- 1 - BIAŁY (WHITE): dane/diagnostyka.
- 2 - NIEBIESKI (BLUE): wyjście impulsów A lub diagnostyka.
- 3 - CZARNY (BLACK): masa (-).
- 4 - CZERWONY (RED): zasilanie (+).

Wyjście B: kabel 3-przewodowy używany do podłączenia niezależnego urządzenia.

Kolory przewodów:

- CZERWONY (RED): wyjście impulsów B.
- CZARNY (BLACK): masa (-).
- BIAŁY (WHITE): DIR (kierunek przepływu: 1=przepływ normalny, 0=przepływ wsteczny).

## 4.3 - Charakterystyka wyjść impulsowych (A i B):

- Zgodność z klasą OB, OC i OD PN-EN1434-2.
- Typ: otwarty kolektor.
- Polaryzacja: wymagana.
- Długość impulsu: patrz tabela poniżej.
- Maksymalne napięcie: 30V DC.
- Maksymalny prąd: 27 mA.
- Spadek napięcia (stan włączony):  $\leq 0,3V$  przy  $0,1 \text{ mA} / \leq 2V$  przy  $27 \text{ mA}$ .
- Maksymalna częstotliwość impulsów: 128 Hz.
- Rezystancja (stan wyłączony):  $\geq 6M\Omega$ .
- Maksymalna długość kabla: 10 m.

		DN65 - q <sub>p</sub> 25	DN80 - q <sub>p</sub> 40	DN100 - q <sub>p</sub> 60	DN150 - q <sub>p</sub> 150
Waga impulsu		Długość impulsu [ms]			
8	p/L	5	nie dotyczy	nie dotyczy	nie dotyczy
4	p/L	nie dotyczy	5	nie dotyczy	nie dotyczy
2	p/L	nie dotyczy	nie dotyczy	5	5
1	L/p	20	20	10	10
2,5	L/p	50	50	20	20
10	L/p	100** (200, 500)	100** (200)	100	100
25-2500	L/p	100** (200, 500)	100** (200, 500)	100** (200, 500)	100** (200, 500)

\*\*standardowo 100ms, wartości w nawiasach na zamówienie.



#### 4.4 - Zasilanie

- Napięcie: 3,2 ... 6V DC
- Typowe zużycie prądu: < 50  $\mu$ A (zależne od konfiguracji urządzenia).
- Maksymalny prąd:  $I_{max} < 3$  mA.

#### 4.5 - Podłączenie Axonic poprzez PulseBox do przelicznika ciepła lub niezależne zasilanie przetwornika

PulseBox oferuje następujące funkcje:

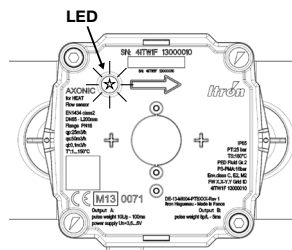
- Zasilanie Axonic niezależnie od zasilania przelicznika ciepła.
- Zwiększenie długości impulsu.
- Izolacja galwaniczna pomiędzy Axonic a przelicznikiem.
- Dwuprzewodowe wyjście impulsów.

Przed podłączeniem upewnij się, że impulsowanie Axonic jest zgodne z impulsowaniem przelicznika!

Podłączenie Axonic poprzez PulseBox do przelicznika zgodnie z instrukcją; należy zwrócić uwagę na polaryzację!

Charakterystyka wyjścia impulsowego:

- Typ: otwarty kolektor.
- Polaryzacja: wymagana.
- Czas trwania impulsu:  $135 \pm 35$  ms.
- Maksymalne napięcie wejściowe: 30V DC.
- Maksymalny prąd wejściowy: 27 mA.
- Spadek napięcia (stan włączony):  $\leq 0.3V$  przy  $0.1$  mA /  $\leq 2V$  przy 27 mA.
- Rezystancja (stan wyłączony):  $\geq 6M\Omega$ .
- Maksymalna częstotliwość impulsów: 1Hz.
- Maksymalna długość kabla: 10 m.



#### 5 - KONTROLA PRACY AXONIC (DIODA ŚWIECĄCA)

Dioda świecąca umieszczona w obudowie elektroniki informuje o stanie pracy przetwornika przepływu.

Poniżej informacje sygnalizowane przez diodę:

Informacja	Ilość mignięć	Sygnal / Okres (powtórzenie)
Detekcja przepływu	1	20ms (LED ON) / 10s
Zapowietrzenie lub Alarm – uszkodzenie elektroniki	2	20/500ms (LED ON/OFF) / 10s
Słaby sygnał ultradźwiękowy (zabrudzone sondy)	3	20/500ms (LED ON/OFF) / 10s
Alarm - przekroczony przepływ maksymalny	4	20/500ms (LED ON/OFF) / 10s
Alarm - przepływ wsteczny	5	20/500ms (LED ON/OFF) / 10s
Tryb testowy	Miga non stop	20/500ms (LED ON/OFF) / non stop
Produkt odblokowany (możliwa konfiguracja)	Sekwencja mignięć jak w przypadku 1-5 ale w inwersji	500/20ms (LED ON/OFF) / 10s
Nieprawidłowa konfiguracja produktu	Dioda świeci non stop	Dioda świeci non stop

Kontrola pracy przetwornika przepływu na przeliczniku:

Po zakończeniu montażu i uruchomieniu systemu ciepłowniczego należy dokonać kontroli pracy przetwornika przepływu, obserwując wskazania przepływu i objętości na wyświetlaczu przelicznika ciepła (szczegóły w karcie katalogowej i instrukcji przelicznika ciepła).

Po pozytywnym zakończeniu testu funkcjonalności Axonic jest gotowy do pracy i inspekcji technicznej.



Dołącz do nas w tworzeniu **bardziej pomysłowy świat**.  
Aby dowiedzieć się więcej odwiedź stronę **itron.pl**

**ITRON POLSKA SP. Z O.O.**

30-702 Kraków  
ul. T. Romanowicza 6

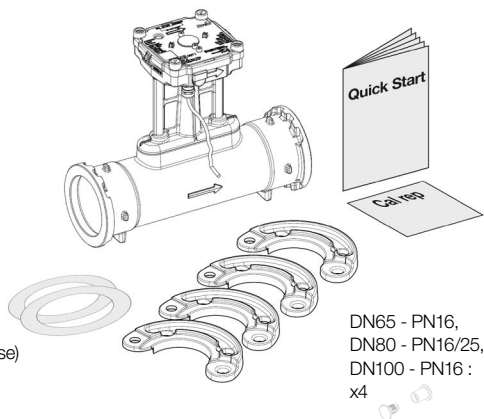
**Tel:** +48 12 257 10 27 do 29

**Fax:** +48 12 257 10 25

e-mail: woda@cieplo@itron.pl

# Axonic

Manuale utente



## 1 - LA FORNITURA AXONIC COMPRENDE

- 1 flussometro
- Flange mobili (solo versioni PN16 e PN25)
- 1 set di guarnizioni
- 1 manuale di istruzioni d'uso e di montaggio
- Rapporto di taratura e Dichiarazione CE (a seconda del Paese)

## 2 - INDICAZIONI GENERALI

Il flussometro AXONIC è un sofisticato strumento elettronico di misurazione. È necessario attenersi scrupolosamente alle presenti istruzioni al fine di garantire il corretto montaggio e soddisfare tutte le condizioni di sicurezza e garanzia.

### 2.1 - Nota sulla sicurezza

I circuiti di acqua calda e l'alimentazione elettrica di rete operano a temperature, pressioni e tensioni elevate.

Se utilizzati in modo non corretto, possono procurare lesioni gravi. Per questo le unità di misurazione possono essere installate soltanto da personale qualificato e addestrato. Le casse dei contatori di calore sono progettate per acqua fredda, calda e molto calda, con valori specifici per ciascuna cassa, ma non per altri liquidi. Se la cassa del flussometro subisce urti e impatti di entità elevata o se cade da un'altezza maggiore di 60 cm, occorre sostituire il flussometro. I conduttori vanno collegati a terra.

Il Sistema globale, così come la singola installazione, che utilizzeranno questo strumento, dovranno essere protetti da una valvola o da un sistema di limitazione della pressione in modo da rispettare la pressione massima dello strumento stesso.

### 2.2 - Marcature CE e classi di protezione

*(vedere ultima pagina di questo documento per la dichiarazione CE dei prodotti calore)*

L'unità di misurazione AXONIC soddisfa tutti i requisiti della normativa CE applicabile e rientra nella classe ambientale C (applicazioni industriali), in conformità alla DIN EN 1434, e nelle classi ambientali E2 e M2 secondo la norma MID (MID 2014/32/EU).

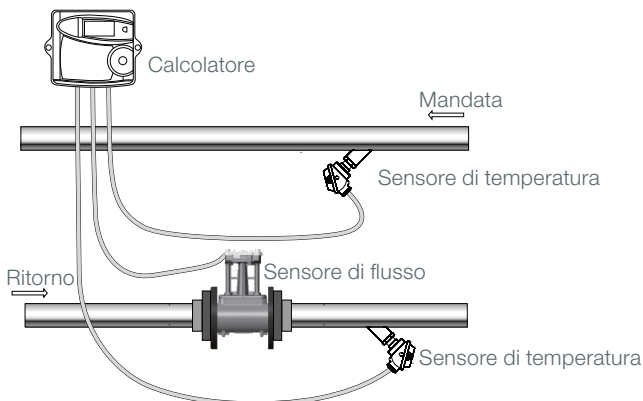
- Temperatura ambiente: -25°C ... +60°C (installazione in luoghi chiusi)
- Temperatura di stoccaggio:
  - Permanente: T°MIN = -25°C T°MAX = 60°C
  - Max +70°C (< 24 ore continuative)
- Sensore di flusso IP 68 (una settimana sotto 1,2 metri d'acqua alla temperatura ambiente)
- I dispositivi elettronici contenuti nell'unità non vanno smaltiti con i rifiuti domestici, bensì occorre attenersi alle disposizioni locali in essere.
- Un contatore di energia termica completo, costituito da sotto-unità (flussometro, calcolatore e coppia di sensori di temperatura) assemblate e installate conformemente alle istruzioni del produttore, rientra nella classe metrologica indicata sulla targhetta del flussometro.
- Axonic è conforme alla DIRETTIVA 2014/68/UE (solo per il calore), gruppo di liquidi 2 (omologato solo per l'acqua).

### 2.3 - Altre indicazioni importanti

- La posizione di montaggio deve essere tale per cui il cavo di collegamento del flussometro e i cavi delle sonde di temperatura non si trovino vicino a cavi di rete o ad altre fonti di interferenza elettromagnetica (distanza minima di 50 cm).
- I cavi non vanno installati lungo tubazioni che raggiungano temperature superiori ai 60°C.
- L'apertura dei sigilli di taratura comporta l'annullamento della validazione della taratura e della garanzia.
- La rimozione dei sigilli dallo strumento farà decadere ogni garanzia in conformità alla direttiva PED 2014/68/UE (solo per il calore).
- La cassa del contatore può essere pulita solo esternamente, con un panno morbido e umido. Non utilizzare detersivi.
- L'installazione va eseguita conformemente alla EN 1434.
- Ci potrebbe essere regole locali che debbono essere seguite e non sono contenute in questo manuale. Prego verificare con i tecnici del paese in cui il contatore verrà installato.

## 2.4 - Applicazione

Il flussometro Axonic è una sotto-unità di un sistema di misurazione dell'energia termica composto da flussometro, calcolatore (es. Itron CF51, CF55, CF800) e coppia di sensori di temperatura. Le specifiche di ingresso del calcolatore e quelle di uscita del flussometro devono essere conformi tra loro, al fine di garantire la correttezza delle misurazioni: ciò riguarda, in particolare, il peso impulso del flussometro (L/impulso) e la posizione del flussometro (tratto di mandata o di ritorno). Per questo si rimanda alle rispettive targhette di entrambe le sotto-unità.



## 3 - MONTAGGIO DEL FLUSSOMETRO

### 3.1 - Condizioni di esercizio, materiali e dimensioni

I parametri di funzionamento del circuito di riscaldamento o raffreddamento non devono superare la pressione massima (PMA) e la temperatura di esercizio indicate sulla targhetta.

- Temperatura operativa massima: versione per riscaldamento 130°C/150°C (permanente/accidentale); versione per raffreddamento 50°C
- PMA a temperature estreme:
  - PN16 120°C < pressione massima: 15,2 bar < 130°C
  - PN25 120°C < pressione massima: 23,8 bar < 130°C

Pressione minima per evitare la cavitazione interna:

- Per temperature di liquidi < 100°C: 1 bar
- Per temperature di liquidi > 100°C pressione minima per mantenere l'acqua allo stato liquido: + 1 bar

Materie prime:

- Materia prima per O-ring: EPDM (canale) & FKM
- Materia prima per la cassa: bronzo per PN16 e 25, acciaio inossidabile per PN40
- Supporto trasduttore: ottonato (PN16 e 25), acciaio inossidabile (PN40)
- Canale di misura, stabilizzatore: fenolo termoplastico
- Membrana: acciaio inossidabile

Perdita di pressione: a qp/50°C (bar):

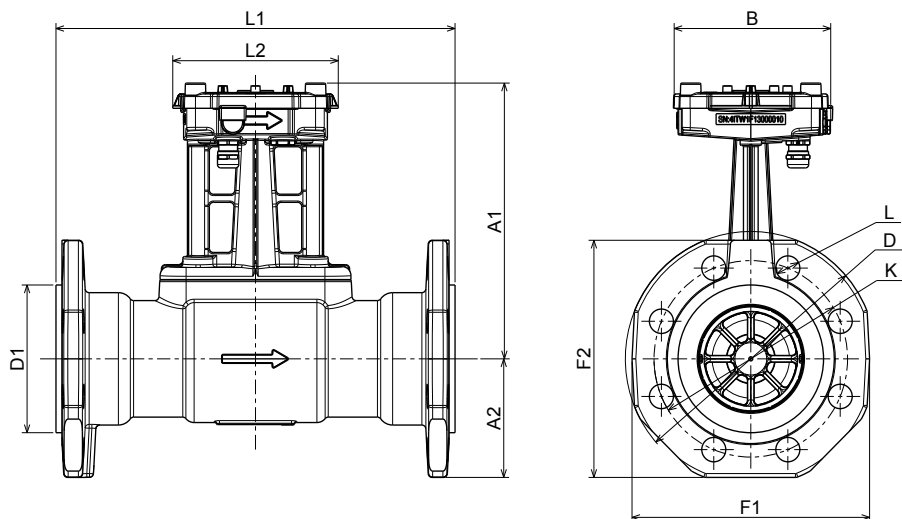
- DN65 < 0.10 bar
- DN80 < 0.17 bar
- DN100 < 0.13 bar
- DN150 < 0.15 bar

Per ulteriori dati tecnici si rimanda alla seguente tabella:

Tipo	DN65 qp25			DN80 qp40			DN100 qp60			DN150 qp150			
	PN16	PN25	PN40	PN16	PN25	PN40	PN16	PN25	PN40	PN16	PN25	PN40	
Lungh. cassa (vers. disponibili)	L1 mm	200 300	300	300	200 225 300 350	300	350	250 360 400	360	400	300 500	500	300
Elettronica	L2 mm	124	124	124	124	124	124	124	124	124	124	124	124
	B mm	119	119	119	119	119	119	119	119	119	119	119	119
Altezza	A1 mm	204	204	204	209	209	209	219	219	219	244	244	244
	A2 mm	93	93	88	100	100	100	111	118	112	143	150	144
Interasse fori	K mm	145	145	145	160	160	160	180	190	190	240	250	250
Diametro fori	L mm	19	19	18	19	19	18	20	23	22	24	28	26
Numero fori		4	8	8	8	8	8	8	8	8	8	8	8
Dimensioni flange	D mm	185	185	188	200	200	203	220	235	238	285	300	300
	D1 mm	108	108	109	128	128	120	156	156	149	216	216	203
	F1 mm	-	-	178	-	-	194	-	-	228	-	-	288
	F2 mm	-	-	175	-	-	190	-	-	224	-	-	288
Peso (lungh.)	kg	8,0 (200)	9,0 (300)	10,5 (300)	9,3 (200)	10,4 (300)	14,0 (350)	13,0 (250)	16,0 (360)	20,0 (400)	24,0 (300)	31,0 (500)	32,0 (300)
	(mm)	9,0 (300)			9,6 (225)	10,4 (300)	10,9 (350)	14,0 (360)	15,0 (400)		28,0 (500)		

\* Flange PN16 e PN25 conformi alla EN 1092-2 / flange mobili interfaccia elevata tipo B

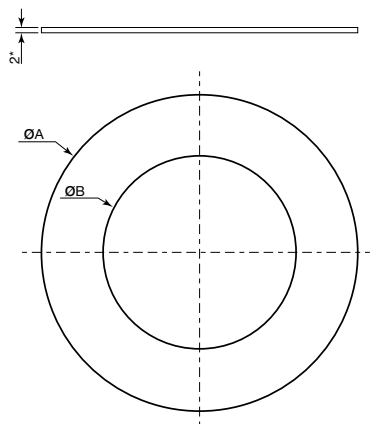
\*\* Flange PN40 conformi alla EN 1092-1 / tipo 21 PN40 presa maschio a imboccatura tipo E



### 3.2 - Istruzioni per il montaggio

- Non eseguire mai lavori di saldatura o foratura nei pressi del contatore. Pericolo potenziale: NON svitare le viti dei sensori in bronzo o acciaio inossidabile durante il funzionamento!
- Tutte le operazioni di sollevamento dovranno essere eseguite utilizzando gli appositi ganci di sollevamento. In assenza degli appositi ganci, le operazioni di sollevamento potranno essere eseguite manualmente.
- Lasciare il contatore nella sua confezione originale finché tutte le operazioni di collegamento, isolamento, verniciatura e pulitura non siano concluse.
- Installare sempre il contatore rispettando la posizione di montaggio indicate sulla targhetta del calcolatore (tratto di mandata o di ritorno o linea del caldo o del freddo). Si raccomanda di collocare valvole di arresto prima e dopo il sensore di flusso per semplificare lo smontaggio. Il sensore di flusso deve essere installato in una posizione comoda per il personale di servizio e di assistenza.
- In caso di isolamento termico, la nervatura in alluminio del comparto elettronico deve essere visibile (vedi fig. 1).
- Per le temperature medie superiori ai 130°C un flussometro con isolamento termico va installato in modo tale che l'elettronica sia posizionata accanto e non sopra la condotta (vedi fig. 2). Dopo l'installazione assicurarsi che il sensore di flusso sia sempre riempito con il liquido (vedi fig. 3).
- In base alla certificazione, non sono richiesti raddrizzatori di flusso sia prima che dopo il sensore di flusso. Tuttavia, se vi è spazio sufficiente per l'installazione, si raccomanda di prevedere un tratto rettilineo pari a 5xDN.
- Il sensore di flusso può essere installato in tratti orizzontali e verticali della tubazione, ma non in una posizione in cui possano restare all'interno bolle d'aria.
- Il contatore di calore deve essere protetto da colpi e vibrazioni che si possano verificare nel luogo d'installazione. Quando si caricano le tubature con acqua, aprire le valvole d'isolamento lentamente.
- Le flange del contatore devono coincidere con il diametro nominale DN e con la pressione nominale PN (in base alla EN 1092) delle rispettive controparti delle tubature. Il contatore non deve essere soggetto a tensioni eccessive causate da tubi o parti stampate. Le tubature del sistema di riscaldamento vanno fissate in modo sicuro prima e dopo il flussometro. In caso di collegamenti a flangia, occorre utilizzare e stringere tutti i bulloni. Tutti i bulloni, i dadi e le guarnizioni utilizzati devono essere conformi al diametro nominale DN, alla pressione PN, ai valori massimi ammissibili per la temperatura e la pressione.
- Installazione di AXONIC con flange mobili (vedi fig. 4).
- I calcolatori CF 51 e CF 55 possono essere applicati al flussometro utilizzando l'adattatore fornito con il flussometro (vedi fig. 5).
- Il dispositivo deve essere sostituito in caso di incendio, o esplosione nelle sue vicinanze.

### 3.3 - Guarnizioni



DN	PN	Riferimento	Tipo	ø A	ø B
65	16-25	A4003392	IBC	127	77
	40	A4003393	SR	109	
80	16-25	A4003441	IBC	142	89
	40	A4003442	SR	120	
100	16-25	A4003443	IBC	168	115
	40	A4003444	SR	149	
150	16-25	A4003446	IBC	224	169
	40	A4003447	SR	203	

\*Spessore conforme alla NF EN 1514-1 e d'accordo con il fornitore

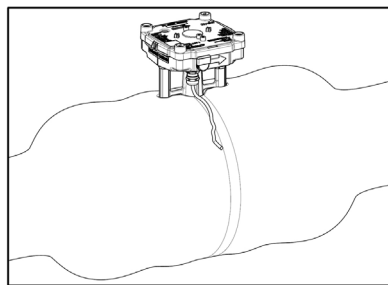


Fig. 1: livello max. di isolamento termico

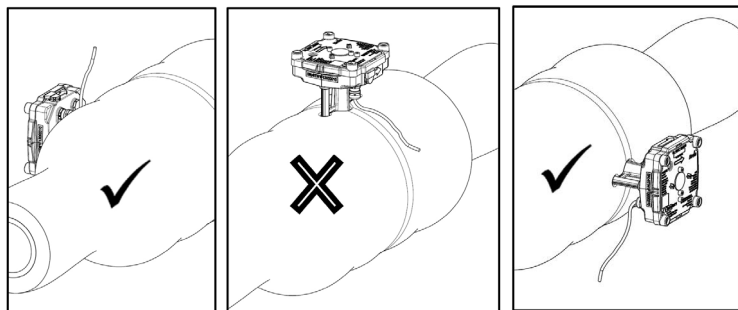


Fig.o2: 130°-150°C con isolamento termico

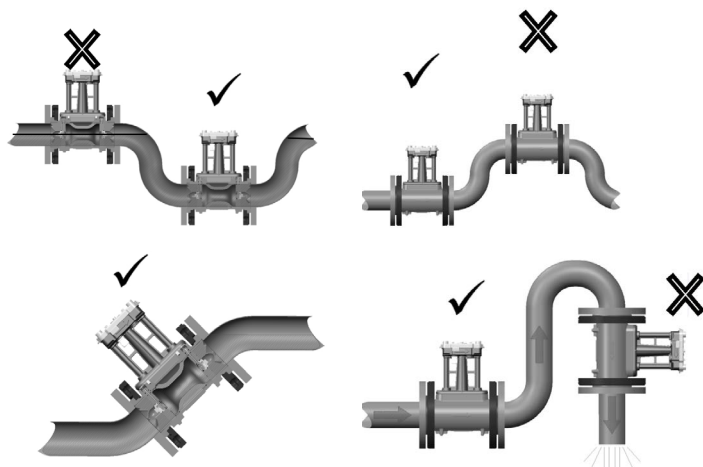


Fig. 3: il sensore deve essere sempre riempito completamente con il liquido

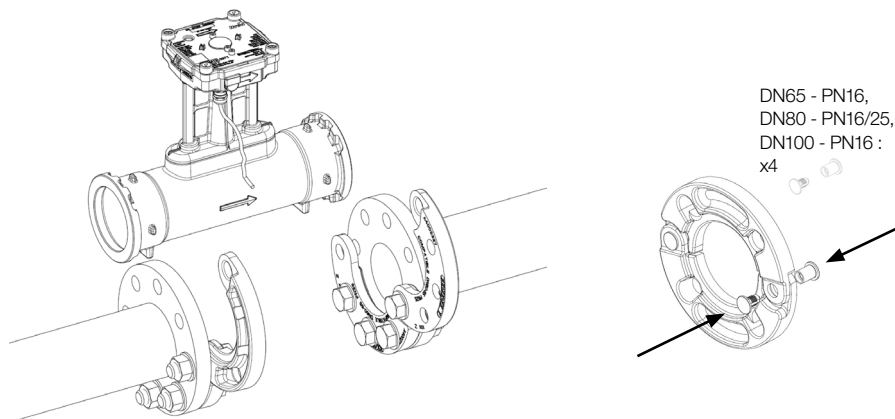


Fig. 4: installazione di AXONIC con flange mobili

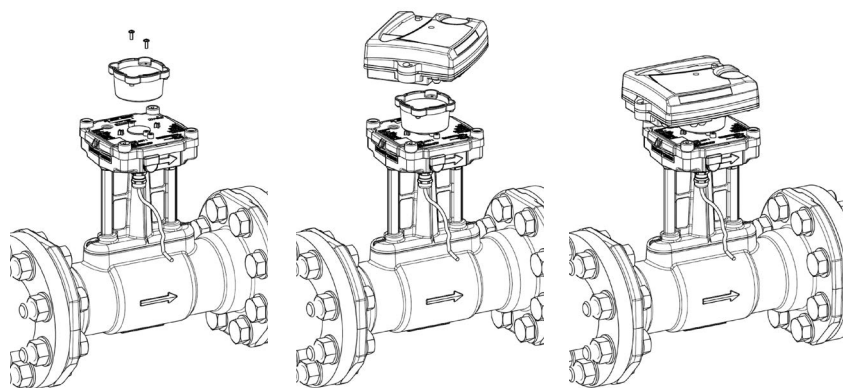


Fig. 5: montaggio di una unità di calcolo Itron CF51/CF55 su AXONIC

#### 4 - COLLEGAMENTO ELETTRICO E ALIMENTAZIONE ELETTRICA

AXONIC viene alimentato dall'unità d'integrazione (CF 51, CF 55 o CF 800) o da un'alimentazione elettrica esterna (es. pulse box di Itron o altra integrazione).

##### 4.1 - Collegamento del flussometro all'unità d'integrazione

AXONIC è disponibile con 1 o 2 cavi, uno per l'uscita impulsi A e uno per l'uscita impulsi B. Oltre all'uscita impulsi A principale il prodotto offre come optional una seconda uscita impulsi che invia gli impulsi di flusso inverso ad un altro dispositivo indipendente (es. al regolatore). Questa opzione è configurata in fabbrica.

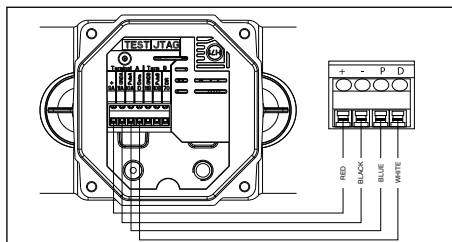
Questa uscita impulsi B presenta le stesse specifiche hardware dell'uscita A. Il peso e la lunghezza impulso dell'uscita A e dell'uscita B sono indipendenti.

Prima di effettuare il collegamento assicurarsi che i pesi impulsi del flussometro e dell'unità d'integrazione siano equivalenti!

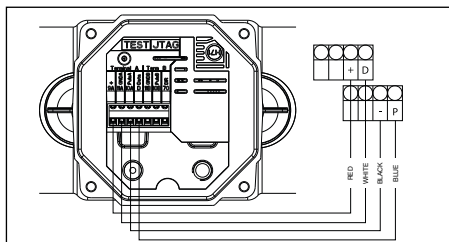
Collegare il flussometro all'unità d'integrazione rispettando il diagramma di collegamento seguente (le figure mostrano il diagramma di collegamento per CF 51, CF 55, pulse box e CF 800).



Prima di collegarlo ad altri sistemi, accertarsi che sia assicurato l'isolamento elettrico (ad esempio utilizzando l'Itron Pulsebox)



Collegamento AXONIC/CF51-CF55-pulse box



Collegamento AXONIC/C800

#### 4.2 - Specifiche per il collegamento all'unità d'integrazione

Cavo A: cavo a 4 fili, utilizzato per il collegamento con l'unità d'integrazione

Assegnazione dei colori dei fili:

- 1 - ROSSO: alimentazione elettrica di AXONIC (+)
- 2 - NERO: messa a terra (-)
- 3 - BLU: impulso A o diagnostica
- 4 - BIANCO:  $\mu$ Com/diagnostica

Cavo B: cavo a 3 fili, utilizzato per il collegamento con l'unità d'integrazione

Assegnazione dei colori dei fili:

- ROSSO: impulso B
- NERO: messa a terra (-)
- BIANCO: DIR. (direzione del flusso: 1 = flusso normale, 0 = flusso inverso)

#### 4.3 - Caratteristiche delle uscite impulsi

- Conformi alla classe OB, OC e OD della EN1434-2
- Tipo: open drain
- Polarità: non reversibile (attendersi al diagramma di collegamento)
- Durata impulsi: vedi tabella sotto
- Tensione max.: 30 Vcc
- Corrente max.: 27 mA
- Caduta di tensione con stato di accesso:  $\leq 0,3V$  a 0,1 mA /  $\leq 2V$  a 27 mA
- Resistenza con stato di spento:  $\geq 6M\Omega$
- Frequenza max. in uscita: 128 Hz
- Lunghezza impulsi in base alla tabella
- Lunghezza max. di cavo: 10 m

		DN65 - qp 25	DN80 - qp 40	DN100 - qp 60	DN150 - qp 150
Peso impulsi		Lunghezza impulsi (ms)			
8	p/L	5	n.a.	n.a.	n.a.
4	p/L	n.a.	5	n.a.	n.a.
2	p/L	n.a.	n.a.	5	5
1	L/p	20	20	10	10
2,5	L/p	50	50	20	50
10	L/p	100** (200, 500)	100** (200)	100	100
25-2500	L/p	100** (200, 500)	100** (200, 500)	100** (200, 500)	100** (200, 500)

\*\*standard: 100 ms, valori tra parentesi solo se specificati nella tabella degli optional



#### 4.4 - Alimentazione elettrica

- Tensione nominale: 3,2 ... 6 Vcc
- Picco di consumo di corrente I<sub>max</sub>: < 3 mA
- Consumo di corrente medio: < 50 µA (in funzione della configurazione del prodotto)

#### 4.5 - Collegamento di AXONIC all'unità d'integrazione con il pulse box (alimentazione opzionale)

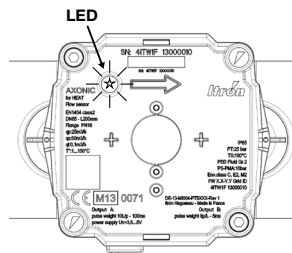
Il pulse box offre le seguenti funzioni:

- Alimentazione elettrica di AXONIC indipendentemente dall'unità d'integrazione
- Aumento della lunghezza impulsi di AXONIC
- Isolamento galvanico di AXONIC dall'unità d'integrazione
- Uscita impulsiva a due fili

Prima di effettuare il collegamento assicurarsi che gli impulsi di AXONIC e dell'unità d'integrazione coincidano! Collegare AXONIC all'unità d'integrazione con la pulse box rispettando le istruzioni di montaggio: rispettare la polarità!

Caratteristiche dell'uscita impulsi

- Versione: contatto aperto
- Polarità: non reversibile (attenersi al diagramma di collegamento)
- Durata degli impulsi: 135 ±35 ms
- Tensione d'ingresso max.: 30 Vcc
- Ingresso corrente max.: 27 mA
- Caduta di tensione con stato di accesso: ≤ 0,3 V a 0,1 mA, ≤ 2,0 V a 27 mA
- Resistenza con stato di spento: ≥ 6 MΩ
- Frequenza max. di impulsi: 1Hz
- Lunghezza max. di cavo: 10 m



#### 5 - CONTROLLO DEL FUNZIONAMENTO DI AXONIC (LED)

Un LED è integrato per fornire all'utente informazioni sullo stato del prodotto a livello ottico.

Di seguito si elencano le funzioni del LED.

Informazione	Numero di lampeggi	Durata/Periodo (Lampeggio)
Flusso rilevato	1	20ms (LED ON) / 10s
Aria nella conduttura + allarmi US asic	2	20/500ms (LED ON/OFF) / 10s
Allarme bassa ampiezza di segnale	3	20/500ms (LED ON/OFF) / 10s
Allarme flusso max.	4	20/500ms (LED ON/OFF) / 10s
Allarme flusso inverso	5	20/500ms (LED ON/OFF) / 10s
Modalità test	lampeggio permanente	20/500ms (LED ON/OFF) / permanente
Configurazione del prodotto sbloccato	Sequenza lampeggio come sopra 1...5 ma invertita	500/20ms (LED ON/OFF) / 10s
Configurazione del prodotto corrotta	Permanente ON	Permanente (LED ON)

Controlli funzionali del calcolatore:

Un controllo funzionale ed una verifica di plausibilità deve essere fatto osservando le indicazioni di portata ed indice, vedi manuali e istruzioni operative del calcolatore.

Messa in funzione:

Dopo aver superato il test funzionale AXONIC è ora pronto per l'utilizzo e per l'ispezione tecnica finale.



Unisciti a noi nel costruire **un mondo più ricco di risorse.**  
Visita: [www.itron.it](http://www.itron.it) per saperne di più.

Sebbene Itron preli la massima cura nel pubblicare su tutti i suoi documenti marketing informazioni le più aggiornate e precise possibili, la società non ne rivendica, promette o garantisce l'esattezza, la completezza o l'adeguatezza, né si assume alcuna responsabilità per gli errori e le omissioni eventualmente presenti. Non viene fornita nessuna garanzia di alcun tipo, tacita, espressa o legale, incluse a titolo esemplificativo ma non limitativo, garanzie di non violazione dei diritti di terzi, garanzie di titolo, di commerciabilità o idoneità a uno scopo particolare, circa il contenuto di tali documenti marketing.  
© Copyright 2017 Itron. Tutti i diritti riservati. HE-0058.4-ig-ML-02.18 17768-AA

**ITRON**

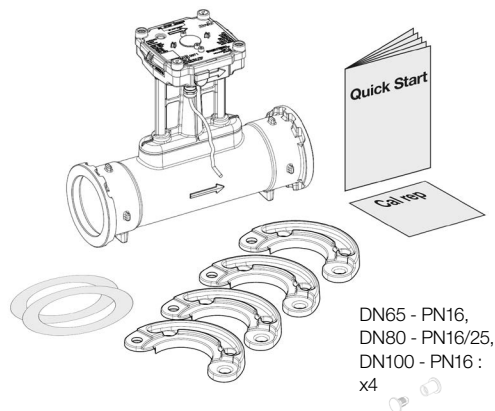
Via Massimo Gorki 105  
200 92 – Cinisello Balsamo  
(Milano)

**Tel.:** +39 02 61874 1

**Fax:** +39 02 61874 280

# Axonic

Návod k obsluze



DN65 - PN16,  
DN80 - PN16/25,  
DN100 - PN16 :  
x4

## 1 - AXONIC - OBSAH BALENÍ

- 1 průtokoměr
- Příruby (PN16 a PN25 verze)
- 1 sada těsnění
- 1 montážní a provozní návod
- kalibrační protokol a CE-prohlášení

## 2 - OBECNÉ INFORMACE

Průtokoměr AXONIC je sofistikovaný elektronický měřicí přístroj.

Dbejte následujících pokynů tak, aby byla zajištěna správná montáž a dodrženy všechny bezpečnostní a záruční podmínky.

### 2.1 - Bezpečnostní pokyny

Okruhy teplé vody a napájecí zdroje pracují za vysokých teplot a tlaku, jakož i za vysokých napětí.

Při nesprávném provozu, mohou způsobit vážná zranění. Průtokoměry tedy musí být instalovány pouze kvalifikovaným a vyškoleným personálem. Pokud byl průtokoměr vystaven silným otřesům, nárazům, nebo spadl z více než 60 cm výšky nebo podobně, musí být měřič tepla vyměněn. Potrubí musí být uzemněno.

Celý systém, ve kterém je průtokoměr nainstalován musí být chráněn ventilem nebo regulátorem tlaku, aby byl dodržen maximální tlak v systému.

### 2.2 - Značky CE a ochranné třídy (Prohlášení o shodě CE, viz poslední strana)

Průtokoměr AXONIC je schválen ve třídě C o ochraně životního prostředí. Dle DIN EN 1434, třída prostředí MID E2 a M2 (MID 2014/32/EU):

- Okolní teplota: -25 °C ... + 60 °C (vnitřní instalace)
- Skladovací teplota:
  - Trvalé: T ° min = -25 °C T ° max = 60 °C
  - Max + 70 °C (<24 hodin nepřetžitě)
- Čídlu průtoky IP 68 (jeden týden v 1,2m vody při okolní teplotě)
- Vyřazené elektronické přístroje obsažené nesmí být likvidovány v normálním domovním odpadu. Likvidujte v souladu s místními předpisy.
- metrologická třída, (průtokoměr, kalorimetr a snímače teploty), jsou vyrobeny a namontovány podle pokynů výrobce, vše je uvedena na vrchní straně průtokoměru.
- Průtokoměr Axonic je v souladu se směrnicí 2014/68/EU (pouze u tepelných), průtokoměry skupiny 2 (Schváleno pouze pro vodu).

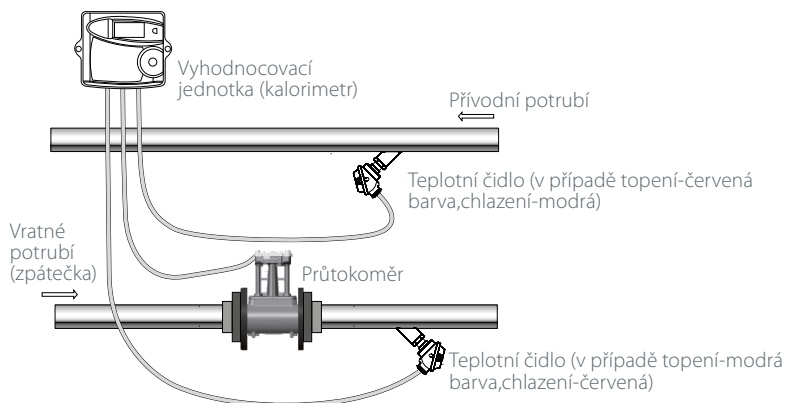
### 2.3 - Další důležité údaje

- Montážní poloha musí být zvolena tak, aby přípojovací kabel průtokoměru, kalorimetru a kabely teplotních sond nebyly v blízkosti síťového nebo jiného zdroje elektromagnetického rušení (minimální vzdálenost 50 cm).
- Kabely nesmí být instalovány podél potrubí dosahujících teplot vyšších než 60 °C.
- Porušení kalibračních plomb způsobí ztrátu kalibrace validace a záruky.
- Porušení plomby má za následek ztrátu záruky ve shodě se směrnicí PED 2014/68/EU (pouze u tepelných).
- Pouzdro je možné čistit pouze na vnější straně, s měkkým, vlhkým hadříkem. Nepoužívejte saponáty.
- Instalace musí být provedena v souladu s EN 1434.

## 2.4 - Aplikace

Průtokoměr Axonic je podstava pro tepelnou měření energetických systémů topení a chlazení. V kombinaci s kalorimetrem např. CF51, CF55, CF800 a dvojicí teplotních čidel např. THF 105.

Pulzní číslo průtokoměru musí být vždy shodné s pulzním číslem kalorimetru.



## 3 - MONTÁŽ PRŮTOKOMĚRU

### 3.1 - Provozní podmínky, materiály a rozměry

Provozní parametry topného nebo chladicího okruhu nesmí překročit maximální tlak (PMA), provozní teplotu, uvedeno na typovém štítku.

- Maximální provozní teplota: verze teplo 130 °C / 150 °C (trvalý / náhodný); verze chlazení 50 °C
- PMA při extrémních teplotách:
  - PN16 120 °C <Maximální tlak: 15,2 bar <130 °C
  - PN25 120 °C <Maximální tlak: 23,8 bar <130 °C

Minimální tlak:

- Pro teploty <100 °C: 1 bar
- Při teplotách > 100 °C Minimální tlak na udržení vody v kapalném stavu, + 1 bar

Materiál:

- O-kroužek: EPDM (channel) & FKM
- Tělo: bronz pro PN16 a 25, z nerezové oceli pro PN40.
- Převodník: poniklovaná mosaz (PN16 a 25), nerezavějící ocel
- Měřicí kanál, stabilizátor: termoplast
- Membrána: nerezová ocel.

Tlaková ztráta: při  $q_p / 50$  °C (bar)

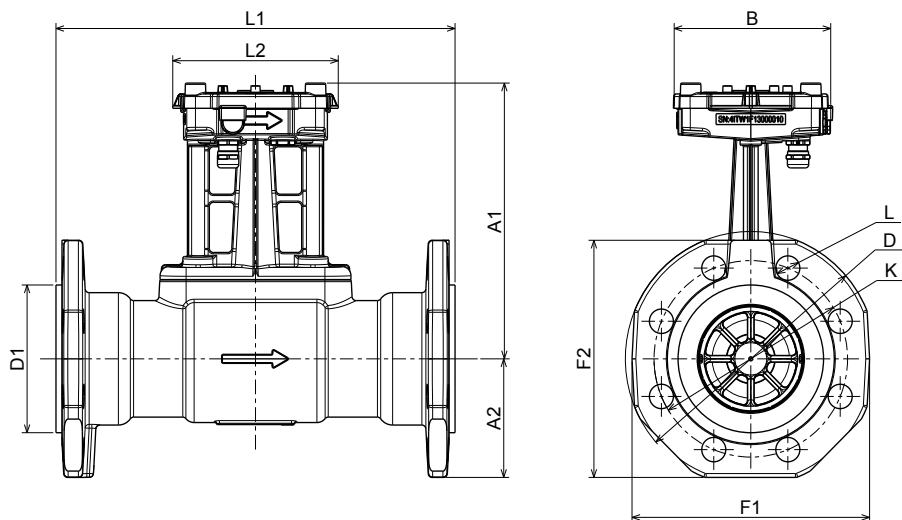
- DN65 < 0.10 bar
- DN80 < 0.17 bar
- DN100 < 0.13 bar
- DN150 < 0.15 bar

Technické údaje:

Type		DN65 qp25			DN80 qp40			DN100 qp60			DN150 qp150		
		PN16	PN25	PN40	PN16	PN25	PN40	PN16	PN25	PN40	PN16	PN25	PN40
Délka těla	L1 mm	200	300	300	200	300	350	250	360	400	300	500	300
		300			225				360			500	
					300			400					
					350								
Elektronika	L2 mm	124	124	124	124	124	124	124	124	124	124	124	124
	B mm	119	119	119	119	119	119	119	119	119	119	119	119
Výška	A1 mm	204	204	204	209	209	209	219	219	219	244	244	244
	A2 mm	93	93	88	100	100	100	111	118	112	143	150	144
Průměr	K mm	145	145	145	160	160	160	180	190	190	240	250	250
Otvory pro šrouby	L mm	19	19	18	19	19	18	20	23	22	24	28	26
Počet otvorů pro šrouby		4	8	8	8	8	8	8	8	8	8	8	8
Příruby	D mm	185	185	188	200	200	203	220	235	238	285	300	300
	D1 mm	108	108	109	128	128	120	156	156	149	216	216	203
	F1 mm	-	-	178	-	-	194	-	-	228	-	-	288
	F2 mm	-	-	175	-	-	190	-	-	224	-	-	288
Hmotnost (délka)	kg (mm)	8,0 (200)	9,0 (300)	10,5 (300)	9,3 (200)	10,4 (300)	14,0 (350)	13,0 (250)	16,0 (360)	20,0 (400)	24,0 (300)	31,0 (500)	32,0 (300)
		9,0 (300)			9,6 (225)	10,4 (300)	10,9 (350)	14,0 (360)	15,0 (400)			28,0 (500)	

\* Příruby PN16 a PN25 dle EN 1092-2

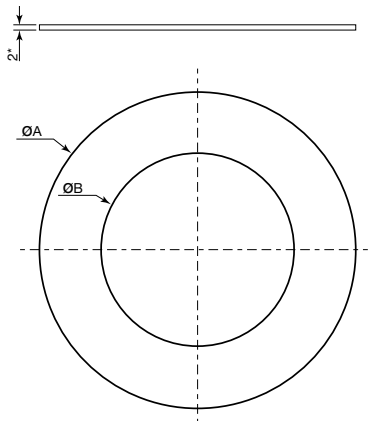
\*\* Příruby PN40 podle EN 1092-1



### 3.2 - Montážní návod

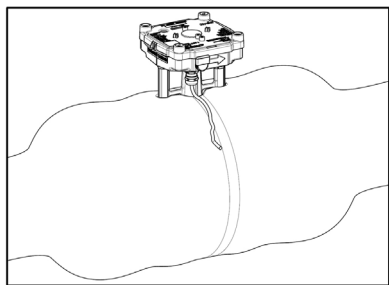
- Nikdy neprovádějte svářečské nebo vrtací práce v blízkosti přístroje. Hrozí vlivem vysoké teploty nevratné poškození !!!
- Pro veškerou manipulaci s průtokoměrem musí být použit manipulační úchyt. Pokud není úchyt k dispozici lze s výrobkem manipulovat ručně.  
Potenciální nebezpečí: Neodšroubovávat bronzové snímače nebo šrouby z nerezové oceli během provozu!
- Nechte přístroj v originálním obalu, dokud nebyly provedeny všechny připojení, izolační, malířské a úklidové práce.
- Vždy instalujte přístroj dle montážní polohy uvedené na typovém štítku hlavice (umístění na přívodním nebo zpětném potrubí). Vždy je nutná, montáž uzavíracích armatur před a za průtokoměrem pro zjednodušení případné demontáže nebo výměry. Průtokoměr by měl být instalován pokud možno ve výhodné poloze pro servisní a provozní účely.
- Hliníková žebra elektronického prostoru by měla být viditelná v případě tepelné izolace. (Viz obr N ° 1)
- Při teplotách nad 130 °C průtokoměr s tepelnou izolací musí být instalován takovým způsobem, aby elektronika přístroje byla vedle potrubí a ne nad. (Viz obr N ° 2) Ujistěte se, že měřicí část průtokoměru je vždy "zavodněna", v opačném případě průtokoměr hlásí poruchu - vzduch v potrubí a neměří. (Viz obr N ° 3)
- Uklidňující úseky před a za průtokoměrem nejsou nutné. Nicméně doporučujeme uklidňující délky 5xDN, pokud je k dispozici prostor při instalaci.
- Průtokoměr může být instalován v horizontálním i vertikálním potrubí, ale ne v pozici tzv. "hlavou dolů".
- Měřič tepla musí být chráněn proti otřesům a vibracím, které mohou vzniknout v místě instalace. Při zprovožňování musí být uzavírací ventily otevírány pomalu.
- Přířbové připojení elektroměru se musí shodovat s jmenovitou světlostí (DN) a jmenovitým tlakem PN (podle EN 1092), z odpovídajících protějšků těchto trubek. Průtokoměr nesmí podléhat přílišným napětím způsobeným potrubím nebo tvarových dílů. Potrubí topného systému musí být upevněno před a za průtokoměrem. V případě přířbových spojů, musí být použity a utaženy všechny šrouby. Všechny šrouby, matice a těsnění musí být použité v souladu s nominální DN, úroveň tlaku PN a maximálními přípustnými hodnotám.
- Instalace průtokoměru s pohyblivými přírubami. (Viz obr N ° 4)
- Kalorimetry CF 51 a CF 55 lze namontovat na průtokoměr pomocí přiloženého adaptéru, který je součástí kalorimetru. (Viz obr N ° 5)
- Na opravu nebo výměnu musí být průtokoměr zaslán zpět výrobci nebo opravně pověřenou výrobcem.
- V případě požáru či výbuchu v těsné blízkosti průtokoměru musí být průtokoměr vyměněn.

### 3.3 - Těsnění

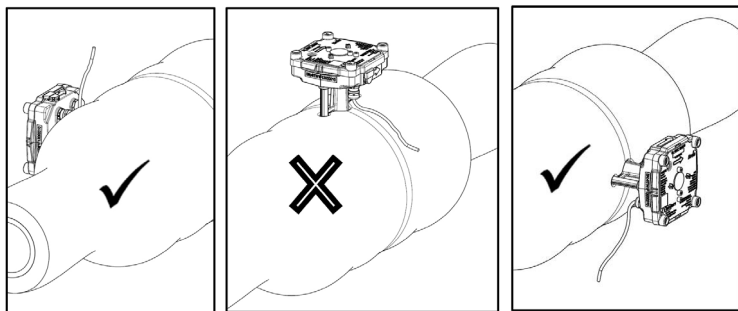


DN	PN	Reference	Type	ø A	ø B
65	16-25	A4003392	IBC	127	77
	40	A4003393	SR	109	
80	16-25	A4003441	IBC	142	89
	40	A4003442	SR	120	
100	16-25	A4003443	IBC	168	115
	40	A4003444	SR	149	
150	16-25	A4003446	IBC	224	169
	40	A4003447	SR	203	

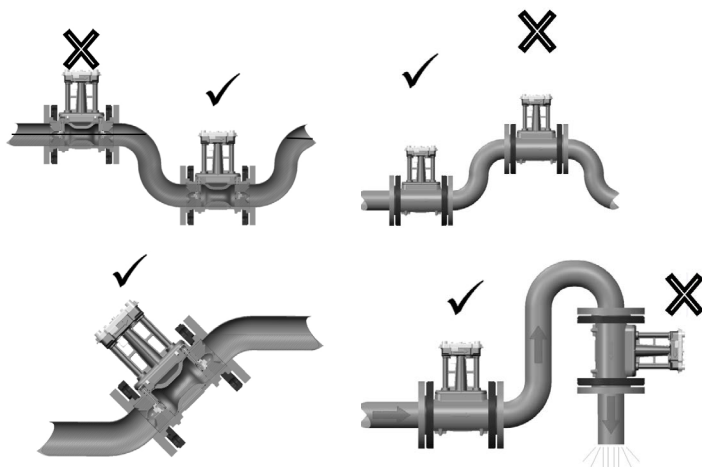
\*Tloušťka dle NF EN 1514-1 a v souladu s dodavatelem



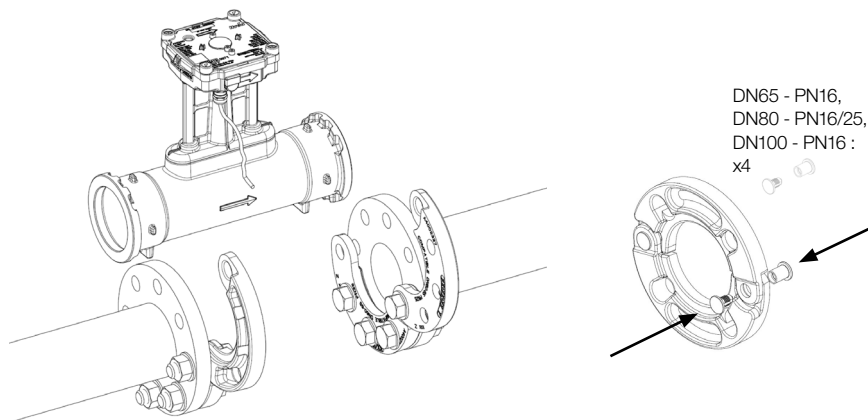
Obr.1: Maximální množství tepelně izolační vrstvy



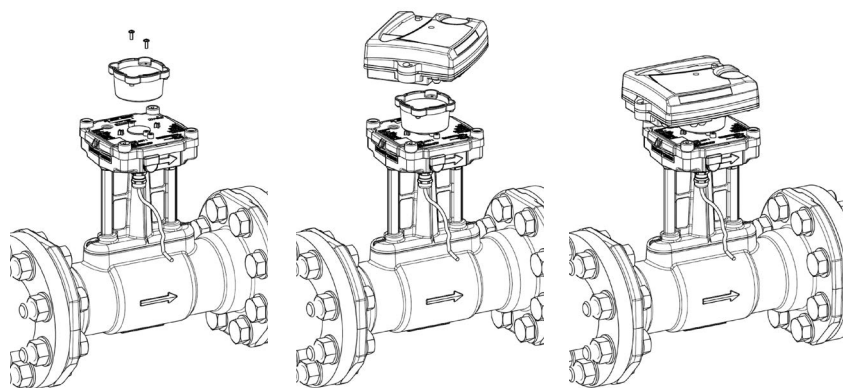
Obr.2: 130 ° -150 ° C s tepelnou izolací



Obr.3: Čidlo vně průtokoměru musí být vždy zcela zaplněné kapalinou



Obr.4: Montáž průtokoměru s pohyblivými přírubami



Obr.5: Montáž kalorimetru CF51 / CF55 na průtokoměr

#### 4 - ELEKTRICKÉ PŘIPOJENÍ A NAPÁJENÍ

AXONIC musí být napájen pomocí integrátor (CF 51, CF 55 nebo CF 800), nebo vnější napájení. (např: Itron Pulsbox nebo jiné integrátor).

##### 4.1 - Připojení fl ow metr integrátor jednotku

AXONIC je k dispozici s 1 nebo 2 kabely, jeden pro výstupní puls a jeden pro výstupní puls B. vedle hlavní impulsním výstupem Výrobek by mohl nabídnout (jako možnost) 2. pulzní výstup poskytující pulsy a backfl ow do jiného nezávislého zařízení (např regulátor) Tato varianta by byla konfi gured v továrně.

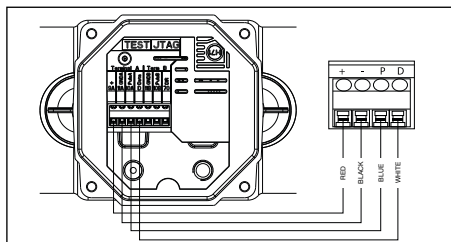
Tento pulzní výstup B je po stejnou hardwarovou specifikaci jako výstup A. Pulse hmotnosti a délky pulsu na výstupu A a B jsou nezávislé.

Před připojením se ujistěte, že pulzní hmotnosti fl ow metr a integrátor jsou si rovní!

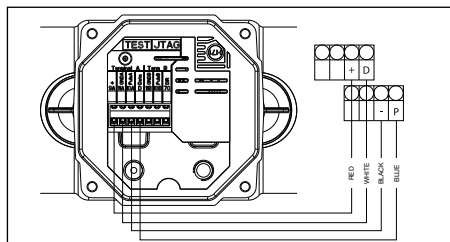
Připojte se k integrátor podle následujícího schéma zapojení (fi gures ukazují schémata zapojení CF 51, CF 55, Pulsbox a FS 800).



Před připojením k jinému systému, zkontrolujte galvanické oddělení od zdroje."



Připojení průtokoměru ke kalorimetru CF51-CF55 (schema zapojení)



Připojení průtokoměru ke kalorimetru CF800 (schema zapojení)

## 4.2 - Specifikace připojení k Integrátor

Kabel 4: 4 dráty propojovací kabel, který se používá pro připojení k integrátor

Rozdělení drátů barev:

- 1 - ČERVENÁ: napájení AXONIC (+)
- 2 - BLACK: uzemnění (-)
- 3 - Modrá: pulzní nebo diagnostické
- 4 - Bílá:  $\mu$ Com / diagnostická

Kabel B: 3 dráty spojovací kabel, který se používá pro připojení k integrátor

Rozdělení drátů barev:

- ČERVENÁ: Pulse B
- BLACK: uzemnění (-)
- Bílá: DIR. (Směr flow: 1 = normální flow, 0 = backword flow)

## 4.3 - Characteristic of pulse outputs (A+B):

- v souladu s třídou OB, OC a OD EN1434-2
- Typ:
- Polarita:
- Doba trvání impulsu:
- Maximální napětí:
- Maximální proud:
- Pokles napětí při zapnutí:
- Maximální výstupní frekvence
- Odolnost při vypnutí:
- Pulzní délka podle tabulky
- Max. délka kabelu:

Open Drain

non reverzibilní (dodržujte schéma zapojení)

viz tabulka níže

30V DC

27 mA

$\leq 0,3V$  při  $0,1 \text{ mA}$  /  $\leq 2V$  při  $27\text{mA}$

128 Hz

$\geq 6M\Omega$

10 m

		DN65 - qp 25	DN80 - qp 40	DN100 - qp 60	DN150 - qp 150
Pulsní číslo		Doba pulsu			
8	p/L	5	n.a.	n.a.	n.a.
4	p/L	n.a.	5	n.a.	n.a.
2	p/L	n.a.	n.a.	5	5
1	L/p	20	20	10	10
2,5	L/p	50	50	20	50
10	L/p	100** (200, 500)	100** (200)	100	100
25-2500	L/p	100** (200, 500)	100** (200, 500)	100** (200, 500)	100** (200, 500)

\*\* Standardně: 100ms, hodnoty v závorkách lze objednat



#### 4.4 - Napájení

- Jmenovité napětí: 3,2 ... 6V DC
- Průměrná spotřeba proudu: <50 uA. (v závislosti na produktu konfigurace)
- Maximální odběr proudu I<sub>max</sub>: <3 mA

#### 4.5 - Připojení AXONIC s Pulse-Box na integrátor jednotku (volitelné napájení)

Pulse-Box nabízí následující funkce:

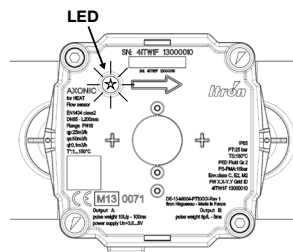
- Napájení AXONIC nezávisle na integrátor.
- Pulse zvýšení délka AXONIC je pulsů.
- Galvanické oddělení od AXONIC z integrátor.
- 2 drát pulzní výstup.

Před připojením se ujistěte, že tepu AXONIC a integrátor zápas!

Připojení AXONIC s Pulse-Box na integrátor podle návod k montáži: respektovat polaritu!

Charakteristika pulsního výstupu:

- Verze: s otevřeným kolektorem
- Polarita: non reverzibilní (respekt schéma zapojení)
- Doba trvání impulsu: 135 ± 35 ms
- Maximální vstupní napětí: 30 V DC
- Max. vstupní proud: 27 mA
- Pokles napětí při zapnutí: ≤ 0,3 V při 0,1 mA ≤ 2,0 V při 27 mA
- Odolnost při vypnutí: ≥ 6 MOhm
- Maximální taktovací frekvence: 1Hz
- Maximální délka kabelu: 10 m



#### 5 - FUNKCE ŘÍZENÍ AXONIC. (LED MANAGEMENT)

LED dioda je implementována s cílem poskytnout pro uživatele vizuální informace o stavu produktu.

Blikací LED pravidlo je následující:

Druh informace (poruchy)	Číslo	Signal/období (opakování)
Průtok	1	20ms (LED ON) / 10s
Vzduch v potrubí	2	20/500ms (LED ON/OFF) / 10s
Nízká amplituda signálu	3	20/500ms (LED ON/OFF) / 10s
Maximální průtok	4	20/500ms (LED ON/OFF) / 10s
Zpětný tok	5	20/500ms (LED ON/OFF) / 10s
Testovací režim	Permanent flashing	20/500ms (LED ON/OFF) / permanent
Product configuration un-locked	Flash sequence as above 1...5, but inverted	500/20ms (LED ON/OFF) / 10s
Product configuration corrupt	Permanent ON	Permanent (LED ON)

Function control at the calculator:

A functional control and plausibility check shall be done by observing the indications of flow rate and volume index, see calculators manual and operating instructions.

Putting into operation:

After successful functional test AXONIC is now ready for use and final technical inspection.



Přijďte se k nám při vytváření **více vynalézavého světa.**  
Více informací naleznete na **itron.cz**

**ITRON CZECH REPUBLIC S.R.O.**

Naskové 3  
Praha-5  
155 00

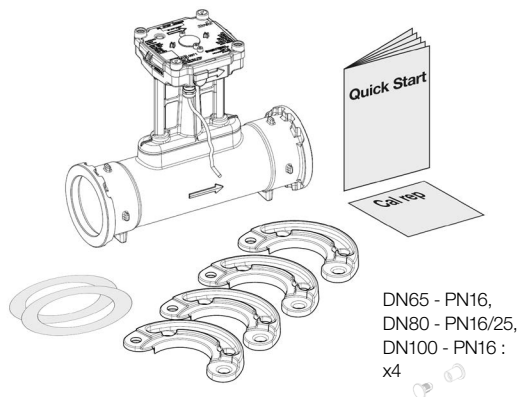
**Tel.:** +420 257 189 801  
**Fax:** +420 257 189 818

# Axonic SLO

Navodila za montažo in uporabo

## 1 - DOBAVA AXONIC

- preverite celoten komplet pred montažo
- 1 merilnik pretoka s signalnim kablom (dolžina 3m ali 10m)
- mobilni prirobnici (samo verziji PN16 in PN25)
- 1 komplet tesnil
- 1 navodila za montažo in uporabo
- poročilo o preizkusu in CE deklaracija (odvisno od države)



## 2 - SPLOŠEN OPIS

Merilnik pretoka AXONIC je prefinjen elektronski merilni instrument za merjenje toplotne energije, bodisi v vodoravni ali navpični legi. Axonic se lahko priključi na katero koli računsko enoto z ustreznim signalnim vhodom. Da bi zagotovili pravilno montažo in izpolnili vse pogoje za varnost in garancijsko jamstvo, je potrebno dosledno upoštevati ta navodila.

### 2.1 - Varnostna priporočila

Vročevodni tokokrogi in električno napajanje delujejo pod visokimi temperaturami in pritiskom, kot tudi pod visokimi napetostmi.

Nepravilno rokovanje lahko povzroči resne poškodbe, zato lahko merilnike pretoka vgrajujejo le strokovno usposobljene osebe. Pred vsako montažo in demontažo je obvezno potrebno zapreti in izprazniti ustrezen del omrežja.

Ohišja merilnikov toplote so namenjena za hladno, toplo in vročo vodo, z značilnimi vrednostmi, določenimi za vsak primer. Medij je voda. V kolikor je ohišje merilnika pretoka podvrženo močnim udarcem, naletom, padcem ali podobnim obremenitvam, mora biti merilnik pretoka zamenjan. Cevi morajo biti ozemljene.

### 2.2 - CE oznaka in razredi zaščite (Za CE deklaracijo glej zadnjo stran tega dokumenta)

Merilnik pretoka AXONIC izpolnjuje vse zahteve EC smernic in je odobren v razredu okolice C (industrijska uporaba) skladno s standardom SIST EN1434, MID razredom okolice E2 in M2 (MID 2014/32/EU):

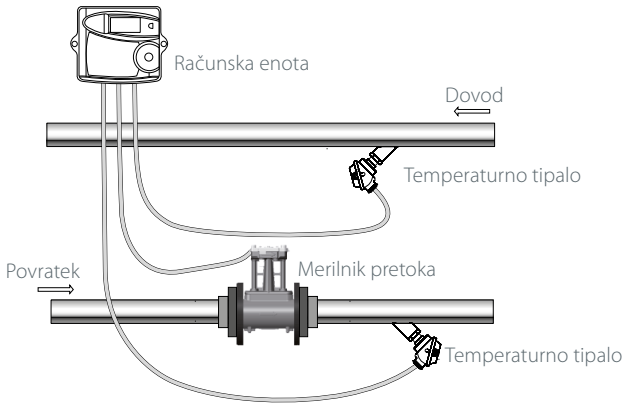
- Temperatura okolice: - 25°C ... +60°C (notranja vgradnja)
- Temperatura skladiščenja:
  - trajna: T°MIN = -25°C T°MAKS = 60°C
  - maksimalna: +70°C (< 24 ur trajno)
- Merilnik pretoka IP 68 (7 dni do 1.2 metra pod vodo)
- Axonic je skladen z Direktivo 2014/68/EU (samo za toploto), tekočinski razred 2 (odobren samo za vodo).
- Odpadne elektronske naprave z vsebnostjo nevarnih snovi ne smete odlagati med ostale gospodinjne odpadke, temveč jih morate odlagati v skladu z lokalno zakonodajo o odpadnih snoveh.
- Meroslovni razred celotnega toplotnega števca, sestavljenega iz podsestavov (merilnik pretoka, računsko enota in para temperaturnih tipal), sestavljeni in vgrajeni v skladu z navodili proizvajalca naprav, izpolnjuje meroslovni razred, ki je naveden na tipski ploščici merilnika pretoka.

### 2.3 - Drugi pomembni napotki

- Signalni kabel se ne sme uporabljati za dvigovanje ali prenašanje merilnika pretoka.
- Mesto vgradnje je potrebno izbrati tako, da priključni kabli merilnika pretoka in kabli temperaturnih tipal niso v bližini napeljave omrežne napetosti ali drugih virov elektromagnetnih motenj (minimalni odmik naj bo vsaj 50 cm).
- Kabli ne smejo biti nameščeni po ceveh, katerih temperatura presega 60 °C.
- Odstranitev uradnega žiga pomeni izgubo veljavnosti overitve merilnika in garancije.
- Ohišje se lahko čisti samo na zunanji strani z mehko, vlažno krpo. Ne uporabljajte detergentov.
- Montažo je potrebno izvesti v skladu s SIST EN 1434.
- Lahko obstajajo tudi lokalna pravila za montažo merilnika pretoka, ki jih je ob montaži potrebno upoštevati, vendar niso zajeta v teh navodilih. Prosimo, da se posvetujete s strokovnjaki v državi ali območju, v katerem bo nameščen merilnik pretoka.

## 2.4 - Uporaba

Merilnik pretoka Axonic je podsklop toplotnih števecv, ki so sestavljeni iz merilnika pretoka, računske enote (npr.: Itron CF51, CF55, CF800) in para temperaturnih tipal. Vhodne karakteristike računske enote in izhodne karakteristike merilnika pretoka morajo biti usklajene z namenom, da se zagotovi pravilno merjenje energije. Navedeno se nanaša predvsem na impulzno vrednost merilnika pretoka (L / impulz) in mesto vgradnje merilnika pretoka (povratek ali dovod).



## 3 - MONTAŽA MERILNIKA PRETOKA

### 3.1 - Obratovalni pogoji, materiali in dimenzije

Obratovalni pogoji ogrevalnega ali hladilnega tokokroga ne smejo presežati, maksimalnega tlaka (PMA) in temperature, navedene na tipski ploščici.

- Maksimalna obratovalna temperatura: Opcija – ogrevanje 130°C / 150°C (stalna/kratkotrajna); Opcija – hlajenje 50°C
- PMA pri ekstremnih temperaturah:
  - PN16 120 °C <Maksimalni tlak: 15,2 bar <130 °C
  - PN25 120 °C <Maksimalni tlak: 23,8 bar <130 °C

Minimalni tlak, s katerim se izogne notranji kavitaciji:

- Za temperature tekočin <100 °C: 1 bar
- Pri temperaturah tekočin > minimalni pritisk, ki še zagotavlja vodo v tekočem stanju + 1 bar

Materiali, ki so v stiku z vodo:

- O-ring tesnilo: EPDM (kanal) & FKM
- Ohišje: bron (PN16 in 25), nerjaveče jeklo (PN40).
- Nosilec UZ senzorjev: Zaščitena medenina (PN16 in 25), nerjaveče jeklo
- Merilni kanal; stabilizator: Fenol - termoplastika
- Membrane: Nerjaveče jeklo.

Padec tlaka: pri Qp/50°C (bar)

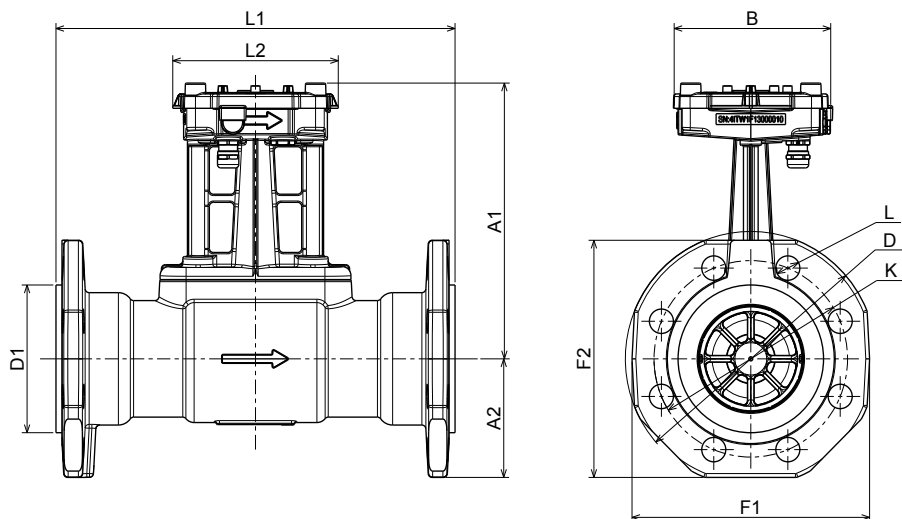
- DN65 < 0.10 bar
- DN80 < 0.17 bar
- DN100 < 0.13 bar
- DN150 < 0.15 bar

Za dodatne tehnične podatke si oglejte tabelo:

Tip	DN65 qp25			DN80 qp40			DN100 qp60			DN150 qp150			
	PN16	PN25	PN40	PN16	PN25	PN40	PN16	PN25	PN40	PN16	PN25	PN40	
Vgradna dolžina (dobavljive verzije)	L1 mm	200 300	300	300	200 225 300 350	300	350	250 360 400	360	400	300 500	500	300
Elektronika	L2 mm	124	124	124	124	124	124	124	124	124	124	124	124
	B mm	119	119	119	119	119	119	119	119	119	119	119	119
Višina	A1 mm	204	204	204	209	209	209	219	219	219	244	244	244
	A2 mm	93	93	88	100	100	100	111	118	112	143	150	144
Premer delilnega kroga	K mm	145	145	145	160	160	160	180	190	190	240	250	250
Premer vijajčne luknje	L mm	19	19	18	19	19	18	20	23	22	24	28	26
Število lukenj prirobnice		4	8	8	8	8	8	8	8	8	8	8	8
Dimenzije prirobnice	D mm	185	185	188	200	200	203	220	235	238	285	300	300
	D1 mm	108	108	109	128	128	120	156	156	149	216	216	203
	F1 mm	-	-	178	-	-	194	-	-	228	-	-	288
	F2 mm	-	-	175	-	-	190	-	-	224	-	-	288
Teža (dolžina)	kg	8,0 (200)	9,0 (300)	10,5 (300)	9,3 (200)	10,4 (300)	14,0 (350)	13,0 (250)	16,0 (360)	20,0 (400)	24,0 (300)	31,0 (500)	32,0 (300)
	(mm)	9,0 (300)			9,6 (225)	10,4 (300)	10,9 (350)	14,0 (360)	15,0 (400)		28,0 (500)		

\* Prirobnice PN16 in PN 25 skladno z EN 1092-2 / mobilne prirobnice, zvišan vmesnik tip B

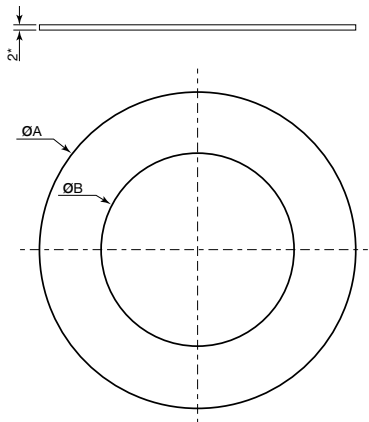
\*\* Prirobnice PN40 skladno z EN 1092-1 / tip 21 PN40 / moški priključek tip E



### 3.2 - Montažna navodila

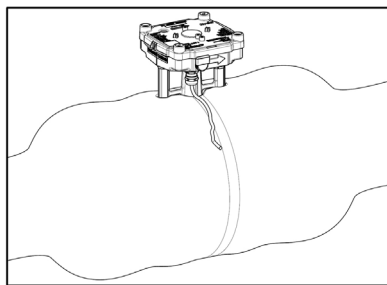
- Nikoli se ne sme variti ali vrtati v bližini merilnika pretoka.
- Merilnik naj bo v originalni embalaži dokler niso izvedena priključna, izolaterska, pleskarska, čistilna dela.
- Merilnik je vedno potrebno namestiti v tisto lego, ki je označena na napisni tablici (dovod ali povratek, hladni ali topli vod). Za enostavno montažo in demontažo merilnika pretoka se priporoča vgradnjo zapornih ventilov pred in za merilnikom pretoka. Merilnik pretoka naj bo vgrajen na mestu, ki omogoča enostaven dostop za instalatersko in vzdrževalno osebje.
- Merilnik pretoka je lahko vgrajen v horizontalno ali vertikalno. Dovoljen je vsak vgradni položaj.
- V primeru izolacije merilnika pretoka, morajo biti vidni zgornji deli aluminijastih reber ohišja elektronike (glej sliko 1).
- Za temperature medija nad 130 °C mora biti merilnik pretoka s toplotno izolacijo vgrajen tako, da je ohišje elektronike ob strani cevi in ne zgoraj (glej sliko 2).
- Poskrbite, da je po vgradnji merilnik pretoka vedno napolnjen s tekočino (glej sliko 3).
- Skladno z odobritvijo ravni del pred in za merilnikom pretoka nista zahtevana. Kljub temu kljub temu pa v primeru zadostnega prostora za instalacijo priporočamo 5xDN ravnega dela cevi pred in za merilnikom pretoka.
- Merilnik pretoka mora biti zaščiten pred udarci in vibracijami, ki bi se lahko pojavile na mestu vgradnje.
- Pri polnjenju cevovoda z vodo, zaporne ventile odpirajte postopoma.
- Prirobnični priključki merilnika pretoka se morajo ujemati z nazivnim premerom DN ter nazivnim tlakom PN (glede na SIST EN 1092) pri padajočih delov cevi. Merilnik pretoka ne sme biti izpostavljen prevelikim napetostim, ki jih povzročajo cevi ali zvarjeni deli. Cevi vročevoda morajo biti trdno vpete pred in za merilnikom pretoka. Pri montaži merilnika pretoka je potrebno uporabiti vse vijake z matico in jih tudi primerno zategniti. Vsi vijaki, matice in tesnila morajo biti skladni z nazivnim premerom DN, nazivnim tlakom PN, ter najvišjo temperaturo in tlakom obratovanja.
- Vgradnja AXONIC verzij PN16 in PN25 s pripadajočim kompletom mobilnih prirobnic (glej sliko 4).
- Računski enoti CF 51 ali CF 55 sta lahko nameščeni na merilnik pretoka z uporabo priloženega adapterja (glej sliko 5).
- V primeru popravila ali servisa je merilnik pretoka potrebno poslati proizvajalcu ali s strani proizvajalca pooblaščenemu serviserju.

### 3.3 - Tesnila

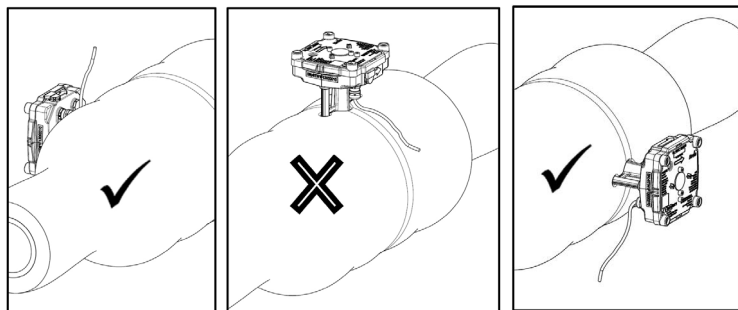


DN	PN	Št. Artikla	Type	ø A	ø B
65	16-25	A4003392	IBC	127	77
	40	A4003393	SR	109	
80	16-25	A4003441	IBC	142	89
	40	A4003442	SR	120	
100	16-25	A4003443	IBC	168	115
	40	A4003444	SR	149	
150	16-25	A4003446	IBC	224	169
	40	A4003447	SR	203	

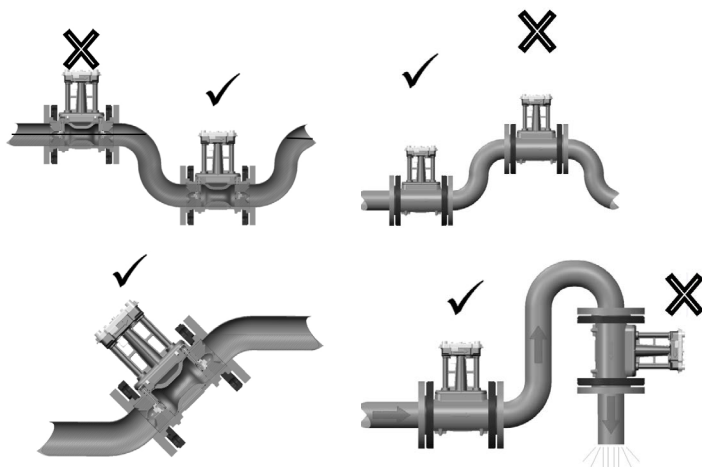
\*Debelina sledi NF EN 1514-1 in skladno z zahtevami dobavitelja.



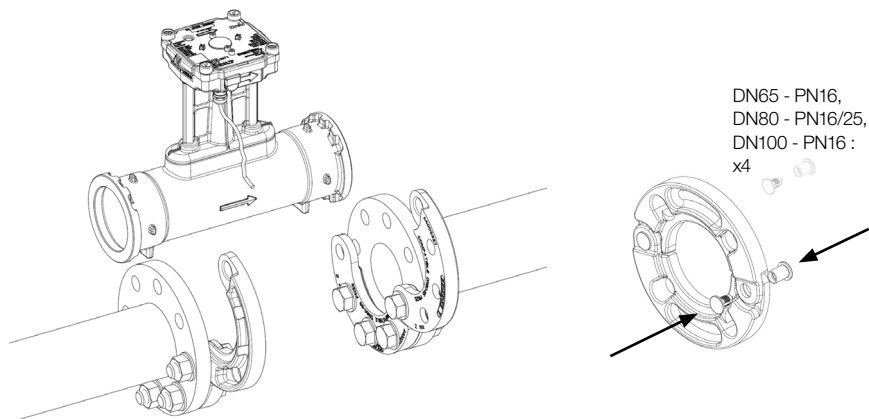
Slika 1: maksimalna višina (debelina) izolacije



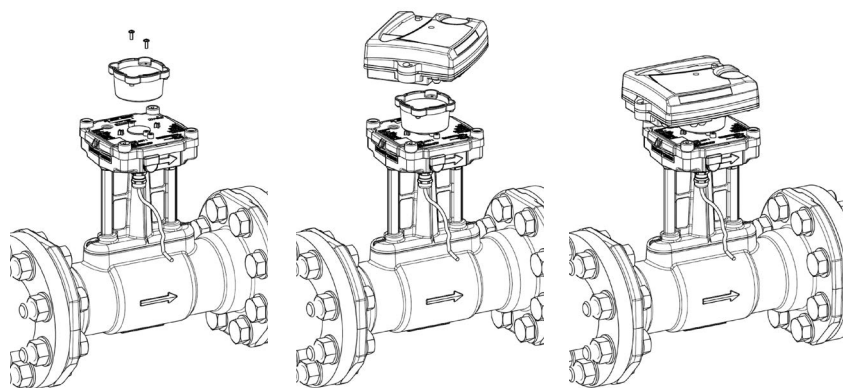
Slika 2: 130°-150°C s toplotno izolacijo



Slika 3: merilnik pretoka mora biti vedno popolnoma napolnjen z vodo



Slika 4: vgradnja merilnika pretoka AXONIC z mobilnima prirobnicama



Slika 5: montaža Itron računskih enot na merilnik pretoka AXONIC

#### 4 - ELEKTRIČNA VEZAVA IN NAPAJANJE

Osnovna verzija AXONIC-a mora biti napajana iz računske enote (CF 51, CF 55 ali CF 800) ali z zunanjim virom električne energije (npr. Itron Pulsbox ali druga računaska enota).


##### 4.1 - Priključitev merilnika pretoka na računsko enoto

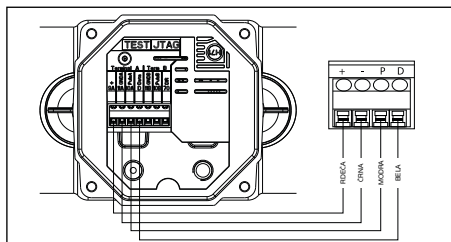
AXONIC je na voljo z 1 ali 2 kabloma, enim za impulzni izhod A in enim za impulzni izhod B. Poleg glavnega impulznega izhoda A, merilnik pretoka lahko ponudi (kot opcijo) še 2 impulzni izhod, ki zagotavlja impulzne izhode za drugo neodvisno priključno napravo (npr. regulator). Ta možnost je tovarniško nastavljena.

Impulzni izhod B ima enake karakteristike kot impulzni izhod A. Impulzna vrednost in širina impulznih izhodov A in B sta neodvisna.

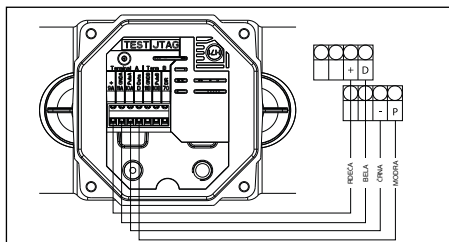
Pred priključitvijo se prepričajte, da so impulzne vrednosti merilnika pretoka in priključene računske enote enake (napisni ploščici obeh naprav!).

Povežite merilnik pretoka na računsko enoto po spodnji priključni shemi (shemi prikazujeta priključitev za CF 51, CF 55, Pulsbox in CF 800).

 Prepričajte se, da je pred priklopom na računske enote drugih proizvajalcev zagotovljena galvanska ločitve (npr.: z uporabo Itron »Pulsebox«).



Priključitev Axonic na CF51-CF55-Pulse-Box



Priključitev Axonic na CF800

#### 4.2 - Specifikacija - povezava na računsko enoto

Kabel A: 4-žični priključni kabel za povezavo z računsko enoto

Barvna razporeditev žic in priključno zaporedje:

- 1 - RDEČA: napajanje AXONIC-a (+)
- 2 - ČRNA: ozemljitev (-)
- 3 - MODRA: impulz A ali diagnostika
- 4 - BELA:  $\mu$ Com/diagnostika

Kabel B: 3-žični priključni kabel za povezavo z računsko enoto

Barvna razporeditev žic:

- RDEČA: impulz B
- ČRNA: ozemljitev (-)
- BELA: DIR. (smer pretoka: 1 = pravilni tok, 0 = povratni tok)

#### 4.3 - Karakteristike impulznih izhodov (A+B):

- V skladu z razredom OB, OC in OD od EN1434-2
- Tip:
- Polariteta:
- Maks. napetost:
- Maks. tok:
- Padec napetosti ob vklopu:
- Upornost ob izklopu:
- Impulzna vrednost:
- Trajanje impulza:
- Maksimalna izhodna frekvenca
- Maksimalna dolžina kabla

Open collector (Drain)

ne-reverzibilna (glej priključni diagram)

30V DC

27 mA

$\leq 0.3V$  pri 0.1 mA /  $\leq 2V$  pri 27 mA

$\geq 6M\Omega$

8 impulzov/L do 2500 L/impulz (glej napisno ploščico)

glej spodnjo tabelo

128 Hz

10m

		DN65 - qp 25	DN80 - qp 40	DN100 - qp 60	DN150 - qp 150
Impulzna vrednost		Dolžina impulza			
8	p/L	5	n.a.	n.a.	n.a.
4	p/L	n.a.	5	n.a.	n.a.
2	p/L	n.a.	n.a.	5	5
1	L/p	20	20	10	10
2,5	L/p	50	50	20	50
10	L/p	100** (200,500)	100** (200)	100	100
25-2500	L/p	100** (200,500)	100** (200,500)	100** (200,500)	100** (200,500)

\*\* Standardno: 100ms (vrednosti v oklepajih le, če so navedene v tabeli dobavljenih verzij)



#### 4.4 - Napajanje

- Nazivna napetost: 3,2 ... 6V DC
- Povprečna poraba toka: < 50  $\mu$ A (odvisna od konfiguracije merilnika pretoka)
- Konična poraba toka Imaks: < 3 mA

#### 4.5 - Opcijsko: priključitev AXONIC-a s Pulse-Box-om na računsko enoto

Pulse-Box omogoča sledeče funkcije:

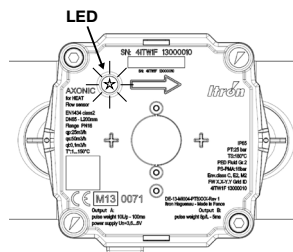
- Napajanje AXONIC-a neodvisno od računske enote.
- Podaljšanje dolžine impulzov AXONIC-a.
- Galvanska ločitev AXONIC-a od računske enote.
- 2 žični impulzni izhod.

Pred priključitvijo preverite, da se impulzni vrednosti AXONIC-a in računske enote ujemata!

Priključitev AXONIC-a s Pulse-Box-om na računsko enoto izvedite skladno z montažnimi navodili: upoštevajte polariteto!

Karakteristike impulznega izhoda:

- |                             |   |
|-----------------------------|---|
| Verzija:                    | Open collector                                  |
| Polariteta:                 | Ne-reverzibilna (glej priključno shemo)         |
| Trajanje impulza:           | 135 $\pm$ 35 ms                                 |
| Maks. vhodna napetost:      | 30 V DC   |
| Maks. vhodni tok:           | 27 mA   |
| Padec napetosti pri vklopu: | $\leq$ 0,3 V pri 0,1 mA, $\leq$ 2,0 V pri 27 mA |
| Upornost pri izklopu:       | > 6 M $\Omega$                                  |
| Maks. frekvenca impulza:    | 1 Hz  |
| Maks. dolžina kabla:        | 10 m  |



#### 5 - PREVERJANJE DELOVANJA AXONIC-A (LED INDIKACIJA)

Preverjanje delovanja AXONIC-a:

Za enostavno preverbo delovanja merilnika pretoka je AXONIC opremljen s svetlečo diodo (LED). Signalno zaporedje (utripov LED) je odvisno od obratovalnega stanja in se ponovi vsakih 10 s, kot sledi:

Informacija	Število utripov	Signal / Perioda (ponovitev)
Pretok zaznan	1	20ms (LED ON) / 10s
Zrak v cevi / US Asic alarm	2	20/500ms (LED ON/OFF) / 10s
Alarm nizke vrednosti signala	3	20/500ms (LED ON/OFF) / 10s
Alarm maksimalnega pretoka	4	20/500ms (LED ON/OFF) / 10s
Alarm povratnega toka	5	20/500ms (LED ON/OFF) / 10s
Merilnik pretoka v testnem načinu	Trajno sveti	20/500ms (LED ON/OFF) / trajno
Merilnik pretoka v odklenjenem stanju	Obrnjeno zaporedje utripov kot zgoraj 1...5	500/20ms (LED ON/OFF) / 10s
Merilnik pretoka v napačni konfiguraciji	Trajno ON	Trajno (LED ON)

Preverba delovanja na računski enoti:

Preverba delovanja in in obratovalnih pogojev se izvede z opazovanjem trenutnega pretoka in izmerjenega volumna; glejte uporabniška navodila za računsko enoto.

Začetek obratovanja:

Po uspešni preverbi delovanja je AXONIC sedaj pripravljen za uporabo in končni tehnični pregled.

**Itron**

Pridružite se nam pri ustvarjanju  
**energetsko bolj učinkovitega sveta.**  
Več informacij najdete na: [www.itron.com](http://www.itron.com)

Medtem ko si podjetje Itron pri izdelava za natančno in pravočasno zagotavljanje svojih tržnih gradiv, ne trdi, objavlja, ali garantira o točnosti, popolnosti, ali ustreznosti, in izrecno zavrača odgovornost za napake in prezrtje v teh gradivih. Nobeno jamstvo kakršne koli vrste, implicitno, izraženo, ali po zakonu, vključujoče ampak ne omejeno na garancijsko jamstvo o ne-krsi tvi pravici, naslovov, p rodaje in pr imernosti iza določen namen, ni dano v zvezi z vsebino teh tržnih gradiv.

© Copyright 2017 Itron. All rights reserved. HE-0058.4-ig-ML-02.18 17768-AA



**ENERKON**

Poslovna cona Žeje pri Komendi  
Pod javorji 4  
SI-1218 Komenda

**Telefon:** +386 (0)1 830 34 70

**Faks:** +386 (0)1 830 34 99

**E-mail:** [info@enerkon.si](mailto:info@enerkon.si)

[www.enerkon.si](http://www.enerkon.si)

**ITRON**

52, rue Camille Desmoulins  
92130 - Issy-les-Moulineaux  
France

**Tel.:** +33 1 46 62 23 00

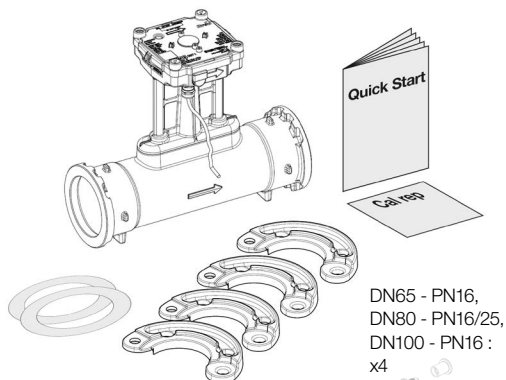
**Fax:** +33 1 46 62 24 77

# Axonix RU

## РУКОВОДСТВО ПО ЭКСПЛУАТАЦИИ

### 1 - КОМПЛЕКТНОСТЬ АХОНИС ПРИ ПОСТАВКЕ

- 1 расходомер с соединительным кабелем (3 или 10 м)
- мобильные фланцы (только для моделей PN16 и PN25)
- 1 комплект присоединителей
- 1 руководство по монтажу и эксплуатации
- отчет о калибровке и декларация соответствия CE (в зависимости от страны).



### 2 - ОБЩИЕ СВЕДЕНИЯ

Расходомер Axonix - это сложный электронный измерительный прибор, предназначенный для измерения тепловой энергии в горизонтальном или вертикальном положении. Расходомер Axonix может быть подключен к любому вычислителю с соответствующими входными сигналами. Данная инструкция должна быть тщательно соблюдена для обеспечения правильного монтажа и выполнения всех условий по безопасности и гарантии.

#### 2.1 - Рекомендаций по технике безопасности

Контуры отопления, контуры горячего водоснабжения и электрическое питание оборудования эксплуатируются под высокими температурами и давлением, а также под высоким электрическим напряжением. В связи с этим, необходимо принимать соответствующие меры предосторожности, чтобы избежать возможности несчастных случаев. Монтаж, эксплуатация, техническое обслуживание и ремонт должны проводиться квалифицированным и надлежащим образом подготовленным персоналом и в соответствии с приведенной ниже информацией. Проточная часть расходомера предназначена для теплоносителей с холодной, теплой и горячей водой, с характерными значениями, указанными для каждого случая, исключая любую другую жидкость. Если расходомер подвергся сильным ударам, падал с высоты более 60 см или другим аналогичным внешним воздействиям, расходомер должен быть заменен. Трубы должны быть заземлены.

система или установка в целом, которая будет использовать это оборудование, должна быть защищена клапаном или системой ограничения давления в целях соблюдения требования максимального давления оборудования.

#### 2.2 - CE-маркировка и классы защиты (см. последнюю страницу этого документа, в декларации CE продукта)

Средство измерения Axonix соответствует всем требованиям применяемой директивы ЕС и соответствует по условиям эксплуатации классу C (промышленное применение) в соответствии с DIN EN 1434, соответствует по условиям эксплуатации классу E2 и M2 в соответствии с MID (MID 2014/32/EU):

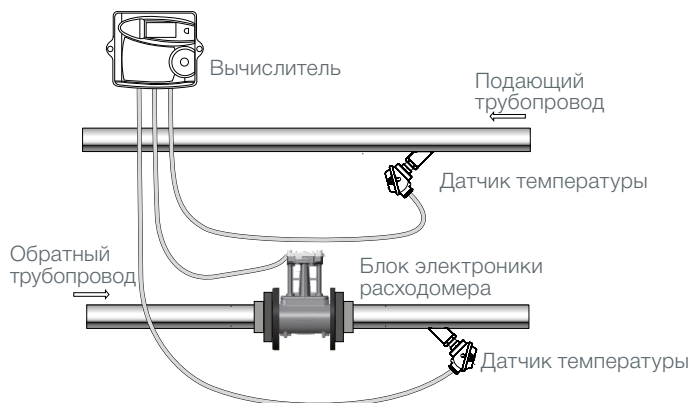
- Температура окружающей среды:  $-25^{\circ}\text{C} \dots +60^{\circ}\text{C}$  (установка в помещении)
- Температура хранения:
  - Постоянная:  $T^{\circ}\text{MIN} = -25^{\circ}\text{C}$   $T^{\circ}\text{MAX} = +60^{\circ}\text{C}$
  - Максимальная:  $+70^{\circ}\text{C}$  (< 24 часов непрерывно)
- Класс защиты блока электроники расходомера IP 68 (не более 7 дней на глубине 1,2 метра при температуре окружающей среды)
- Утилизируемые электронные части не должны выбрасываться в обычный бытовой мусор. Утилизация должна соответствовать местному законодательству.
- Метрологический класс теплосчетчика, собранного из отдельных узлов (расходомер, вычислитель и пара датчиков температуры), и установленного в соответствии с инструкцией производителя, соответствует метрологическому классу указанному на расходомере.
- Axonix соответствует ДИРЕКТИВЕ 2014/68/EU (только для тепла), группа жидкости 2 (утвержден только для воды).

#### 2.3 - Важные указания

- Запрещается поднимать или переносить расходомер с помощью соединительного кабеля
- Монтажное положение расходомера должно быть выбрано так, чтобы соединительный кабель расходомера и кабели датчиков температур не проходили рядом с кабелями электрического питания или другими источниками электромагнитных помех (минимальное расстояние - 50 см).
- Кабели не должны быть проложены вдоль труб с температурой, превышающей  $60^{\circ}\text{C}$ .
- Нарушение метрологических пломб приводит к потере метрологической поверки и гарантии на прибор.
- условия гарантии нарушаются после вскрытия устройства в соответствии с директивой PED 2014/68/EU (только для тепла).
- Корпус можно очищать только снаружи мягкой влажной тканью. Не используйте моющие средства.
- Монтаж должен осуществляться в соответствии с EN 1434.

## 2.4 - Применение

Расходомер Ахонис является частью прибора учета тепловой энергии, который состоит из расходомера, вычислителя (например, Itron CF51, CF55, CF800) и пары датчиков температуры. Входные параметры вычислителя и выходные параметры расходомера должны быть совместимы для обеспечения правильного измерения энергии, в частности вес импульса (литр/импульс) и положение расходомера (подающий или обратный трубопровод), проверьте указанные значения на заводской маркировке для обеих частей.



## 3 - МОНТАЖ РАСХОДОМЕРА

### 3.1 - Эксплуатационные условия, материалы и размеры

Эксплуатационные параметры для контуров теплоснабжения и охлаждения не должны превышать значения Максимального давления (PMA) и Рабочей температуры, указанных на заводской маркировке.

- Максимальная рабочая температура: версия тепло: 130°C / 150°C (постоянно/временно), версия охлаждение: 50°C
- Максимального давление (PMA) при экстремальных температурах:
  - PN16 120°C <Максимальное давление: 15,2 бар < 130°C
  - PN25 120°C <Максимальное давление: 23,8 бар < 130°C

Минимальное давление для избежания кавитации:

- Для температуры жидкости < 100°C: 1 бар
- Для температуры жидкости > 100°C: минимальное давление для сохранения воды в жидком состоянии + 1 бар

Материал изготовления:

- для уплотнительного кольца : EPDM (этилен-пропиленовый каучук) & FKM
- для проточной части: бронза для PN16 и 25, нержавеющая сталь для PN40.
- Поддержка для преобразователя: латунь (PN16 и 25), нержавеющая сталь (PN40)
- Измерительный канал, стабилизатор: фенол термoplastика
- Мембрана: нержавеющая сталь

Потеря давления: при qv/50°C (бар)

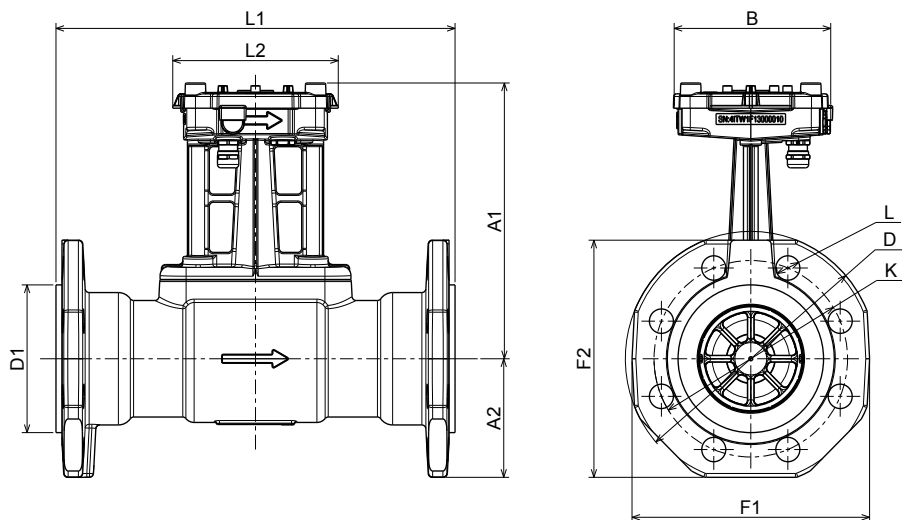
- DN65 < 0.10 бар
- DN80 < 0.17 бар
- DN100 < 0.13 бар
- DN150 < 0.15 бар

Другие технические данные приведены в таблице:

Тип	Ду65 qp25			Ду80 qp40			Ду100 qp60			Ду150 qp150				
	PN16	PN25	PN40	PN16	PN25	PN40	PN16	PN25	PN40	PN16	PN25	PN40		
Длина корпуса (доступные версии)	L1	MM	200	300	300	200	300	350	250	360	400	300	500	300
			300			225			360			500		
						300			400					
						350								
Блок электроники	L2	MM	124	124	124	124	124	124	124	124	124	124	124	
			119	119	119	119	119	119	119	119	119	119	119	
Высота	A1	MM	204	204	204	209	209	209	219	219	219	244	244	244
	A2	MM	93	93	88	100	100	100	111	118	112	143	150	144
Диаметр окружности	K	MM	145	145	145	160	160	160	180	190	190	240	250	250
Диаметр отверстия для болта	L	MM	19	19	18	19	19	18	20	23	22	24	28	26
Количество отверстий			4	8	8	8	8	8	8	8	8	8	8	8
Размер фланца	D	MM	185	185	188	200	200	203	220	235	238	285	300	300
	D1	MM	108	108	109	128	128	120	156	156	149	216	216	203
	F1	MM	-	-	178	-	-	194	-	-	228	-	-	288
	F2	MM	-	-	175	-	-	190	-	-	224	-	-	288
Вес (длина)	кг (мм)	8,0 (200)	9,0 (300)	10,5 (300)	9,3 (200)	10,4 (300)	14,0 (350)	13,0 (250)	16,0 (360)	20,0 (400)	24,0 (300)	31,0 (500)	32,0 (300)	
		9,0 (300)			9,6 (225)			14,0 (360)				28,0 (500)		
					10,4 (300)			15,0 (400)						
					10,9 (350)									

\* Фланцы PN16 и PN25 согласно EN 1092-2 / Мобильные Фланцы с соединительным выступом интерфейс Тип В

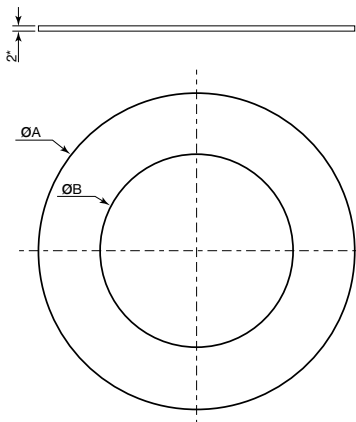
\*\* Фланцы PN40 согласно EN 1092-1 / Тип 21 PN40 фланец с выступом «папа» Тип Е



### 3.2 - Инструкции по монтажу

- Никогда не выполняйте сварочные работы или сверление вблизи расходомера.
- все операции и манипуляции должны быть сделаны с помощью специальной подъемной части продукта. Если нет подъемной части, все манипуляции могут быть сделаны вручную.
- Потенциальная опасность: НЕ откручивайте бронзовые или сделанные нержавеющей стали винты датчика во время работы!
- Храните ультразвуковой преобразователь расхода воды в оригинальной упаковке до тех пор, пока не будут выполнены все соединительные и изоляционные работы, а также покраска и очистка.
- Всегда устанавливайте прибор в положении, которое указано на лицевой табличке (прямой или обратный поток; холодная или горячая линия).
- Рекомендуется установка запорной арматуры до и после расходомера для упрощения демонтажа. Расходомер должен быть установлен в удобном положении для сервисных работ обслуживающего персонала.
- Алюминиевые ребра блока электроники должны быть видны в случае теплоизоляции расходомера. (См. Рис 1).
- Если температура среды превышает 130°C, то расходомер с теплоизоляцией должен быть установлен таким образом, чтобы блок электроники находился сбоку, а не сверху расходомера (См. Рис 2). Убедитесь, что после установки расходомер всегда заполнен водой (См. Рис 3).
- Прямые участки до и после расходомера не требуются. Если при монтаже расходомера имеется пространство для прямого участка 5xDN, то для исключения турбулентности и сглаживания потока, рекомендуется обеспечить прямой участок.
- Расходомер можно устанавливать в горизонтальном или вертикальном положений, но требуется установить в таком положений, где исключается возможность накопления воздуха.
- Расходомер должен быть защищен от ударов и вибрации, которые могут возникнуть в месте установки. При заполнении трубы водой запорные клапаны должны открываться плавно.
- Фланцевые соединения расходомера должны соответствовать номинальному диаметру, а также номинальному давлению PN (согласно EN 1092) трубопровода. Измерительное устройство не должно подвергаться чрезмерному напряжению от труб или формованных частей.
- Трубы системы отопления должны быть прочно закреплены до и после расходомера. Все болты фланцевых соединений должны быть затянуты. Все используемые болты, гайки и прокладки должны соответствовать требованиям, касающихся номинального значения ДУ, уровня номинального давления PN, максимально допустимой температуры и давления.
- Установка расходомера AXONIC с мобильными фланцами (См. Рис 4).
- Вычислители CF 51 и CF 55 могут быть прикреплены к расходомеру с помощью адаптера, поставляемого с расходомером. (См. Рис 5).
- Для ремонта или переоборудования расходомер должны быть отправлен обратно к производителю или в ремонтную мастерскую, уполномоченую изготовителем.
- устройство должно быть заменено в случае пожара или взрыва в его непосредственной близости.

### 3.3 - Уплотнитель



Ду	PN	Артикул	Тип	ø A	ø B
65	16-25	A4003392	IBC	127	77
	40	A4003393	SR	109	
80	16-25	A4003441	IBC	142	89
	40	A4003442	SR	120	
100	16-25	A4003443	IBC	168	115
	40	A4003444	SR	149	
150	16-25	A4003446	IBC	224	169
	40	A4003447	SR	203	

\*Толщина соответствует NF EN 1514-1 и в соответствии с поставщиком

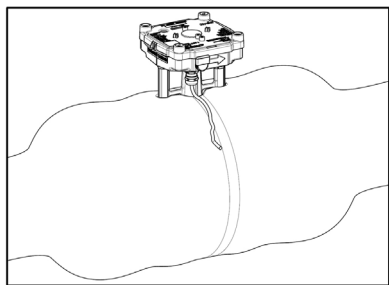


Рис. 1. Максимальный уровень теплоизоляции

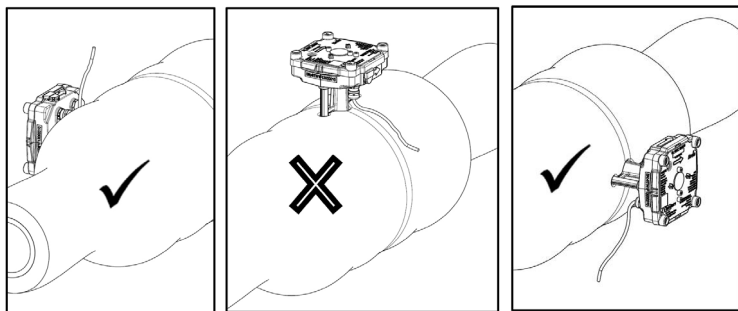


Рис. 2. Положение установки расходомера с теплоизоляцией при 130°- 150°С

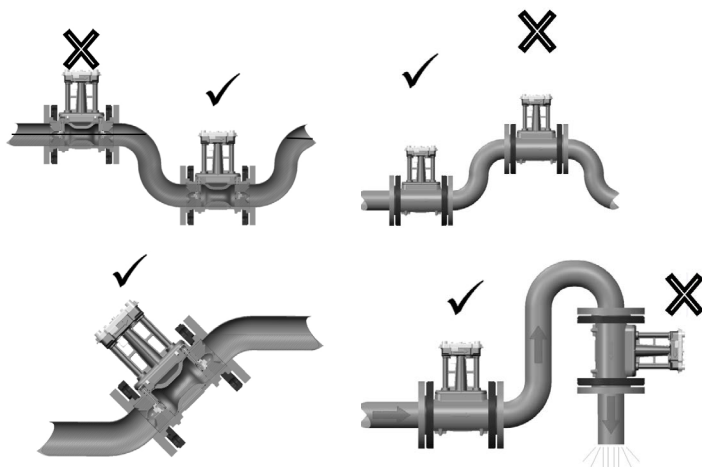


Рис. 3. Расходомер всегда должен быть полностью заполнен водой

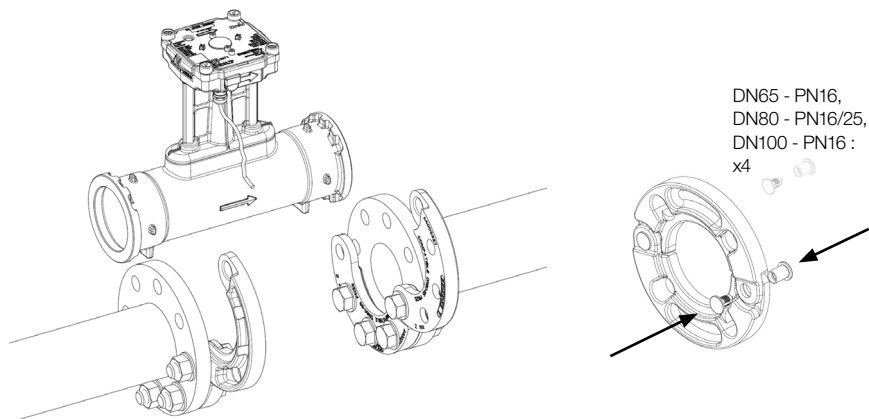


Рис. 4. Установка расходомера AXONIC с мобильными фланцами

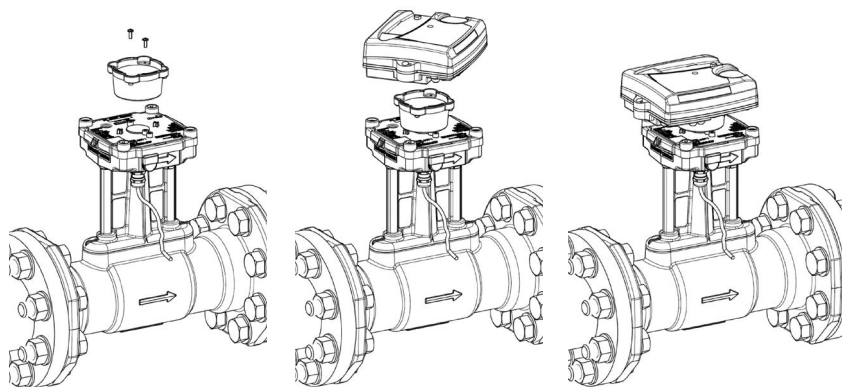


Рис. 5. Установка вычислителя Itron CF51/CF55 на AXONIC

#### 4 - ЭЛЕКТРИЧЕСКОЕ СОЕДИНЕНИЕ И ПИТАНИЕ

Электрическое питание Axonic выполняется через вычислитель (CF 51, CF 55 или CF 800) или внешние источники питания, например, Itron Pulse box или других вычислителей.

##### 4.1 - Подключение расходомера к вычислителю

Axonic доступен с 1 или 2 кабелями, где один из них предназначен для выходного импульса А, а другой для выходного импульса В. Кроме основного импульсного выхода А, расходомер можно оснастить (под заказ) вторым импульсным выходом В для передачи импульсов и данных обратного потока другому независимому устройству (например, регулятору). Настройки дополнительного импульсного выхода будут сконфигурированы на заводе.

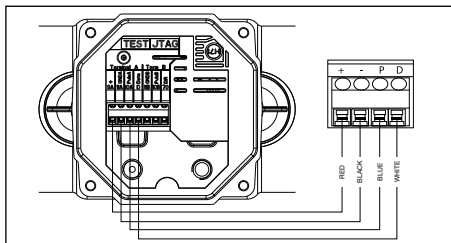
Импульсный выход В имеет одинаковую аппаратную спецификацию с импульсным выходом А. Вес и длина выходного импульса А и В не зависят друг от друга.

Перед подключением расходомера к вычислителю, убедитесь, что веса импульса совместимы.

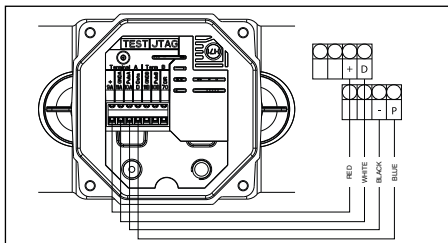
Подключение к вычислителю должно быть выполнено в соответствии со следующими схемами подключения (рисунки показывают схему подключения с вычислителями CF 51, CF 55, Pulse box и CF 800).



Перед подключением к другим системам убедитесь об обеспечении гальванической изоляции (например, с помощью Itron Pulsebox)



Подключение AXONIC к CF51/CF55/Pulse box



Подключение AXONIC к CF800

#### 4.2 - Спецификация подключения к вычислителю

Кабель А: кабель с 4 соединяющими проводами, используется для подключения к интегратору (вычислителю)

Значение цветов проводов:

- 1 - RED (красный): питание AXONIC (+)
- 2 - BLACK (черный): заземление (-)
- 3 - BLUE (синий): импульс А или диагностика
- 4 - WHITE (белый):  $\mu$ Com/диагностика

Кабель В: кабель с 3 соединяющими проводами, используется для подключения к интегратору

Значение цветов проводов:

- RED (красный): Импульс В
- BLACK (черный): заземление (-)
- WHITE (белый): DIR (направление потока: 1 = нормальный поток, 0 = обратный поток)

#### 4.3 - Характеристики выходного импульса

- Класс: OB, OC и OD в соответствии с EN1434-2
- Тип:
- Полярность:
- Длительность импульса:
- Максимальное напряжение:
- Максимальный ток:
- Падение напряжения при включении:
- Сопротивление при выключении:
- Максимальная выходная частота:
- Длительность импульса:
- Максимальная длина кабеля:

открытый сток  
 нереверсируемый (соблюдайте схему подключения)  
 см. таблицу ниже  
 30 В постоянного тока  
 27 мА  
 < 0.3 В при 0.1 мА < 2 В при 27 мА  
 > 6 МОм  
 128 Гц  
 в соответствии с таблицей  
 10 м

	Ду65 - қр 25	Ду80 - қр 40	Ду100 - қр 60	Ду150 - қр 150
Вес Импульса		Длительность Импульса (мсек)		
8 р/L	5	п.а.	п.а.	п.а.
4 р/L	п.а.	5	п.а.	п.а.
2 р/L	п.а.	п.а.	5	5
1 L/p	20	20	10	10
2,5 L/p	50	50	20	50
10 L/p	100** (200, 500)	100** (200)	100	100
25-2500 L/p	100** (200, 500)	100** (200, 500)	100** (200, 500)	100** (200, 500)

\*\*стандартный: 100 мсек, значения в скобках только если это указано в опции модели в таблице



#### 4.4 - Электрическое питание

- Номинальное напряжение: 3,2 ... 6 В постоянного тока
- Пиковое потребление тока  $I_{max}$ : < 3 мА
- Среднее потребление тока: < 50 мкА. (зависит от настройки продукта)

#### 4.5 - Подключение AXONIC с Pulse box к вычислителю (дополнительный источник питания)

Pulse box обеспечивает следующие функции:

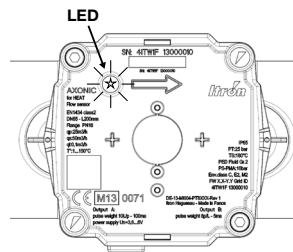
- Электрическое питание AXONIC независимо от интегратора (вычислителя)
- Гальваническая развязка AXONIC от вычислителя.
- Увеличение длительности импульса AXONIC.

Перед подключением убедитесь, что характеристики импульса AXONIC соответствует характеристикам импульса подключаемого вычислителя!

Подключение AXONIC с Pulse box к вычислителю в соответствии с инструкцией по монтажу: соблюдайте полярность!

Характеристики выходного импульса

- Версия: открытый коллектор
- Полярность:
  - нереверсируемый (соблюдайте схему подключения)
- Длительность импульса: 135 ±35 мсек
- Максимальное входное напряжение : 30 В постоянного тока
- Максимальный входной ток: 27 мА
- Падение напряжения при включении: < 0.3 В при 0.1 мА, < 2.0 В при 27 мА
- Сопротивление при выключении: > 6 МОм
- Максимальная частота импульса: 1Гц
- Максимальная длина кабеля: 10 м



#### 5 - ФУНКЦИЙ КОНТРОЛЯ AXONIC (СВЕТОДИОДНОЕ УПРАВЛЕНИЕ)

Светодиод обеспечивает пользователю визуальную информации о состоянии расходомера. Вспышки светодиода предоставляет следующую информацию:

Информация	Number of flashes	Signal/Period (Repetition)
Обнаружен поток	1	20ms (LED ON) / 10s
Воздух в трубе + сигнализация УЗ ИС	2	20/500ms (LED ON/OFF) / 10s
Сигнализация низкой амплитуды сигнала	3	20/500ms (LED ON/OFF) / 10s
Сигнализация максимального потока	4	20/500ms (LED ON/OFF) / 10s
Сигнализация обратного потока	5	20/500ms (LED ON/OFF) / 10s
Тестовый режим	Permanent flashing	20/500ms (LED ON/OFF) / постоянно
Product configuration un-locked	Flash sequence as above 1...5, but inverted	500/20ms (LED ON/OFF) / 10s
Product configuration corrupt	Permanent ON	Permanent (LED ON)

Функциональный контроль вычислителя:

Функциональный контроль и проверка достоверности должна быть сделана путем наблюдения за показаниями скорости потока и показаний объема (см. руководство по эксплуатации для вычислителя).

Ввод в эксплуатацию: После успешного функционального теста AXONIC готов к использованию.



Join us in creating a more **resourceful world**.  
To learn more visit [itron.com](http://itron.com)

While Itron strives to make the content of its marketing materials as timely and accurate as possible, Itron makes no claims, promises, or guarantees about the accuracy, completeness, or adequacy of, and expressly disclaims liability for errors and omissions in, such materials. No warranty of any kind, implied, expressed, or statutory, including but not limited to the warranties of non-infringement of third party rights, title, merchantability, and fitness for a particular purpose, is given with respect to the content of these marketing materials.  
© Copyright 2016 Itron. All rights reserved. HE-0093.4-ig-ML-02.16 17768-AA

**ЗАВОД-ИЗГОТОВИТЕЛЬ:**  
**ITRON**

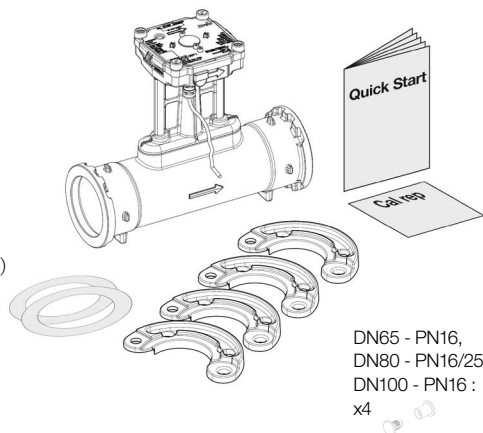
Taganskaya Street, 17-23,  
109180 - Moscow

Таганская улица, 17-23,  
109180 - Москва

**Телефон:** +33 3 88 90 63 00  
**Факс:** +33 3 88 73 23 20

# Axonic

## 安装操作说明



### 1- 运输过程

- 安装前请检查确认表体没有损伤
- 包装内包含1只流量计和连接电缆（电缆长度3米或10米）
- 移动式法兰（仅供PN16和PN25的表）
- 一套垫片
- 安装说明书 1本
- 校验合格报告

### 2- 显示指南

Axonic是一款精密的电子流量计，可以水平和竖直安装用于精确计量温度。Axonic可以连接到兼容信号输入的积分仪。以下的说明必须仔细阅读，以确保正确安装并满足所有安全和担保条件。

#### 2.1- 连接部分

热水回路和主电源是在高温高压和高电压环境下运行，如果不正确的操作，有可能造成严重的伤害。因此，Axonic只能由经过培训合格的人员来进行安装作业。安装之前，必须保证管路已完全排空。Axonic的外壳针对冷水，温水和热水设计，不同的外壳都相应指定了各自的特征值。如果流量计外壳受到了强烈的碰撞，冲击或从60cm以上高度落下或者其他类似应力冲击，那么热量表必须立即更换。管道必须电气接地。打开流量计之前，必须切断主电源供电。

为了保证系统达到预计的最大压力，使用该设备的系统必须配备有泄压阀或压力限制系统。

#### 2.2 - CE 标志和防护等级（请参阅文件最后一页的CE 声明）

Axonic符合EC规则的全部要求，根据DIN EN1434的标准，环境等级为C级（工业级应用）；根据MID的标准，环境等级达到E2和M2的要求（MID 2014/32/EU）。

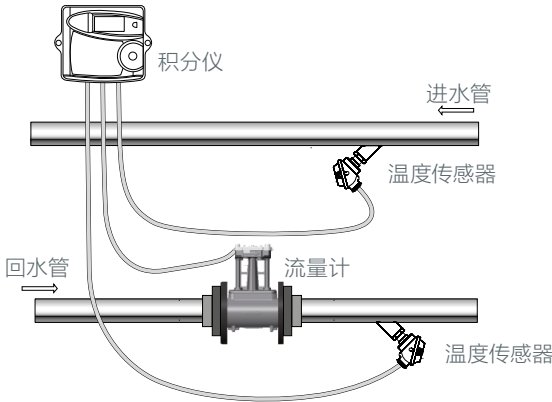
- 工作环境温度：-25° C ... +60° C（室内安装）
- 存放温度：
  - 最低25° C 最高60° C
  - 极限：在70° C里存放连续不超过24小时
- 流量传感器防护等级：IP68
- Axonic 对于介质为水的情况满足压力仪表规则（2014/68/EU）
- Axonic内含有的废弃电子设备或者电池不得放置于普通家庭废弃物中。应该根据当地环保部门规定处理
- 整个热量表的计量精度，是由流量计，积分仪以及温度传感器共同达到的。请按照生产者提供的指导书安装和装配，以实现表计上所描述的计量等级。

#### 2.3 - 其他注意事项

- 不得使用流量计的数据线来提拉和运送流量计
- 安装位置的选择应使用流量计的信号线和温度传感器线缆不会位于主电源电缆或者其他电磁干扰源附件（最小距离不得小于50cm）
- 所有线缆不得沿着温度超过60° C的管道进行安装
- 开启校正密封会导致校正失效和质保失效
- 对于没有铅封的产品，生产者不会对该产品承担由PED2014/68/EU所规定的质保责任
- 表体外壳只能使用软的湿布清洁，不能使用清洁剂
- 安装作业必须根据EN1434标准执行
- 如果当地有其他的安装要求，请咨询和按照当地要求进行安装操作。

## 2.4 - 功能介绍

Axonix 热量表是由流量计, 积分仪 (Itron CF51, CF55, CF800) 和一对温度传感器组成。积分仪的输入和流量计的输出必须兼容已达到正确的热量, 选择时请仔细检查流量计的脉冲当量以及流量计的位置 (在进水管还是回水管)。



## 3 - 安装流量计

### 3.1 - 运行条件, 尺寸和材料

供热回路的运行参数不得超过以下给定值。

- 温度: 热量表 130° C/150° C (额定值 / 最大值); 冷量表 50° C
- 工作压力值范围:
  - PN16 120° C < 最大工作压力: 152 MPa < 130° C
  - PN25 120° C < 最大工作压力: 238 MPa < 130° C

最低工作压力避免管路内部形成气泡:

- 液体介质温度 < 100° C: 10MPa
- 液体介质温度 > 100° C: 确保水保持在液体状态的压力+10MPa

与水有接触的材料名称:

- O型密封圈: 三元乙丙橡胶 (通道) 和氟橡胶
- 表体: 铜 (PN16和PN25), 不锈钢 (PN40)
- 传感器支架: 镀铜 (PN16 和 25), 不锈钢(PN40)
- 连接管路, 流量稳定器: 苯酚热塑性塑料
- 传感器材料: 不锈钢

压损: (在Qp流量 水温50° C时):

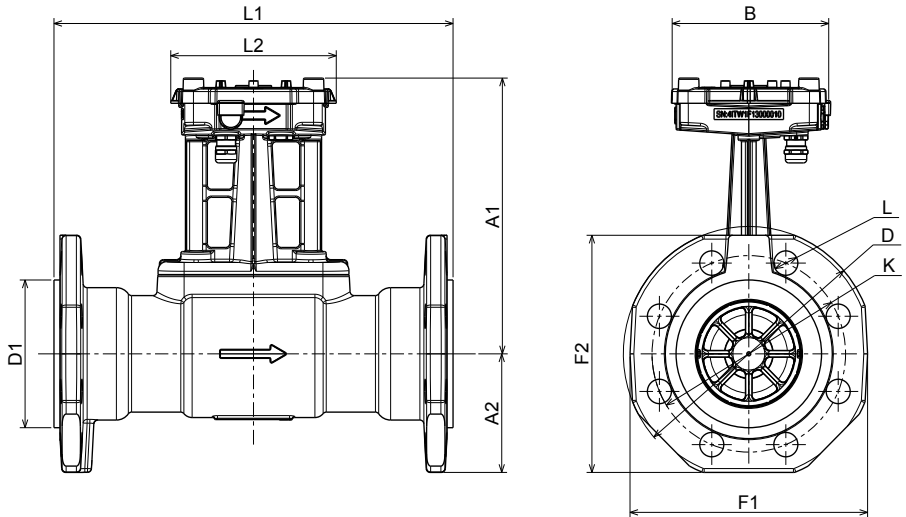
- DN65 < 1 MPa
- DN80 < 1.7 MPa
- DN100 < 1.3 MPa
- DN150 < 1.5 MPa

更多技术参数, 请看以下表格:

名称	DN65 qp25			DN80 qp40			DN100 qp60			DN150 qp150			
	PN16	PN25	PN40	PN16	PN25	PN40	PN16	PN25	PN40	PN16	PN25	PN40	
表长	L1 mm	200 300	300	300	200 225 300 350	300	350	250 360 400	360	400	300 500	500	300
积分仪长度	L2 mm	124	124	124	124	124	124	124	124	124	124	124	124
	B mm	119	119	119	119	119	119	119	119	119	119	119	119
表总高度	A1 mm	204	204	204	209	209	209	219	219	219	244	244	244
	A2 mm	93	93	88	100	100	100	111	118	112	143	150	144
螺栓中心直径	K mm	145	145	145	160	160	160	180	190	190	240	250	250
螺栓孔直径	L mm	19	19	18	19	19	18	20	23	22	24	28	26
螺栓孔数量		4	8	8	8	8	8	8	8	8	8	8	8
法兰直径	D mm	185	185	188	200	200	203	220	235	238	285	300	300
	D1 mm	108	108	109	128	128	120	156	156	149	216	216	203
	F1 mm	-	-	178	-	-	194	-	-	228	-	-	288
	F2 mm	-	-	175	-	-	190	-	-	224	-	-	288
质量 (长度)	公斤 (毫米)	8,0 (200) 9,0 (300)	9,0 (300) 10,5 (300)	10,5 (300)	9,3 (200) 9,6 (225) 10,4 (300) 10,9 (350)	10,4 (300) 14,0 (350)	14,0 (350)	13,0 (250) 14,0 (360) 15,0 (400)	16,0 (360) 20,0 (400)	20,0 (400)	24,0 (300) 31,0 (500) 32,0 (300)	31,0 (500)	32,0 (300)

\* PN16和PN25的法兰符合EN1092-2 可移动法兰Type B标准

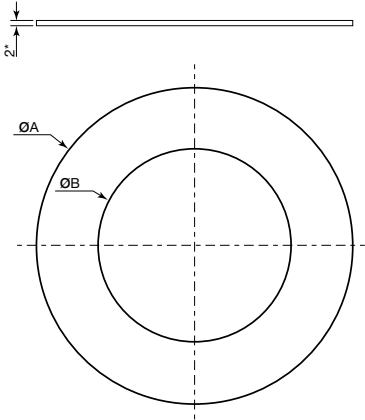
\*\* PN40的法兰符合EN1092-1/Type 21 Type E 标准



### 3.2 - 安装说明

- 不要在热量表附件进行焊接和钻孔作业。
- 在产品的安装作业中，必须使用专门设计的装卸环来进行吊装作业。如果产品没有装卸环，可以使用手工安装。
- 将热量表放在原包装内，只到所有连接，绝缘，喷涂和清洁工作完成。总是根据积分仪的标签（供水或者回水）上显示的安装位置来安装热量表。建议截止阀安装在流量传感器附近，流量传感器应选择方便维修和操作的位置安装。
- 流量计允许安装到水平或垂直管路上，任意位置都可以。
- 积分仪铝制的安装条应安装在可以目视的地方，做好隔热处理（见图1图）
- 如果管路工作温度超过130° C，那么积分仪的安装位置应在流量计的侧面（如图Fig 2）
- 确保流量计中在安装后总是充满液体，没有气泡。（见图Fig3）
- 流量计设计无需长度整流，不过如果安装位置允许，建议留出5倍管径的长度作为整流长度来安装流量计。
- 热量表安装后必须保证没有振动和冲击，当向管路注水时，截止阀必须缓慢打开。
- 热量表的法兰连接必须与管道对应连接部件的公称直径DN和公称压力PN（根据EN1092）相匹配。计量装置不得受到管道或其他零件造成的过大张力。供热系统的管道必须与流量计前后牢固固定。法兰的所有螺栓必须安装并拧紧。所用全部螺栓，螺母和密封必须满足公称直径DN，公称压力PN，最大允许温度和压力的要求。
- 安装PN16和PN25版的Axonic，请使用专用的移动法兰（如图Fig 4）
- Itron CF51和CF55 积分仪可以完全兼容流量计（请见图Fig5）如需维修或重新调整热量表，请寄回厂家或联系Itron授权的维修中心。
- 在安装或更换产品的过程中，必须考虑该过程是否会引起火灾或爆炸的风险，必须做好保护措施去避免。

### 3.3 - 垫片



DN	PN	参考编号	类型	ø A	ø B
65	16-25	A4003392	IBC	127	77
	40	A4003393	SR	109	
80	16-25	A4003441	IBC	142	89
	40	A4003442	SR	120	
100	16-25	A4003443	IBC	168	115
	40	A4003444	SR	149	
150	16-25	A4003446	IBC	224	169
	40	A4003447	SR	203	

\*厚度满足NF EN1514-1标准的要求

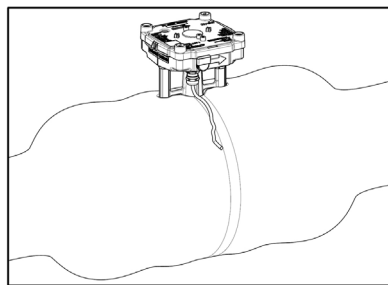


图 1: 积分仪安装位置

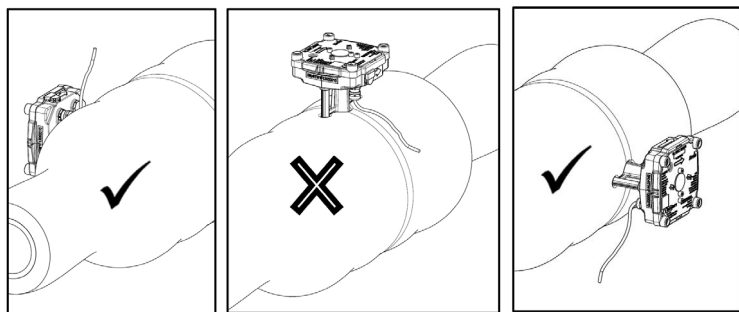


图2: 管道温度 $130^{\circ}$  - $150^{\circ}$  C时, 积分仪正确安装位置

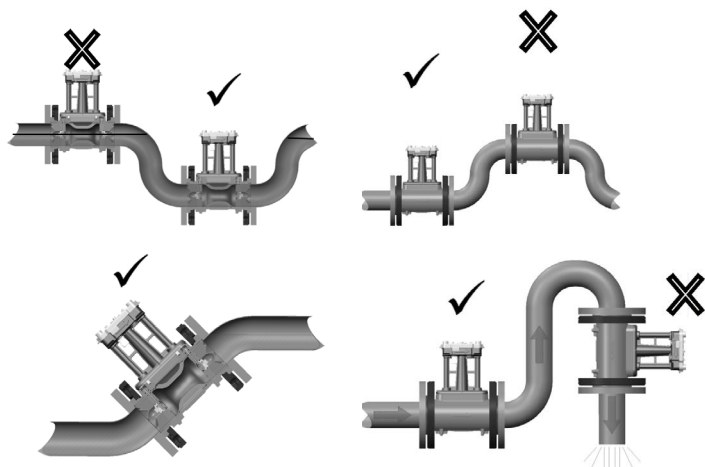


图3: 确保流量计总是保持满水状态

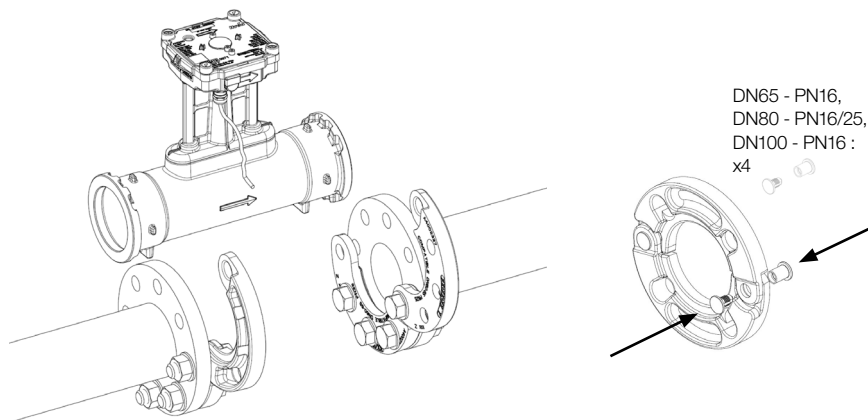


图4: 连接安装Axonic和专用活动法兰

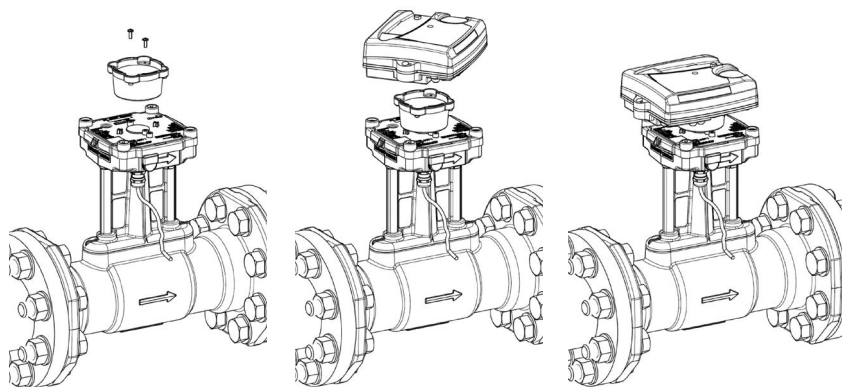


图5: 安装ItronCF51或CF55积分仪

## 4 - 电气和电源连接

Axonic必须由电力驱动的分积分仪（如CF51, CF55或CF800）或者外部单独的电源提供（如Itron Pulsbox 或其他积分仪）。

### 4.1 - 连接流量计和积分仪

Axonic可以提供两种输出脉冲，一种是输出脉冲A，另一种是输出脉冲B。除了可以提供主脉冲A，Anonic还可以提供第二组脉冲输出和回路（作为可选项）给另外独立的设备（如校准器）。这种版本需要在制造时进行设置。

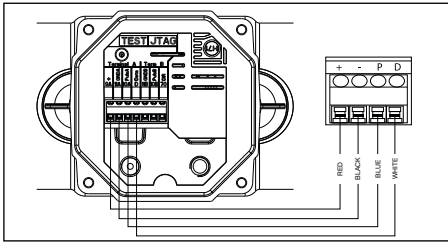
脉冲B与脉冲 A都符合相同的软件特性。但是两种脉冲的脉冲当量和脉冲长度都相互独立。

在将流量计与积分仪连接前，请自己阅读两种铭牌上的脉冲指标，确保兼容性！

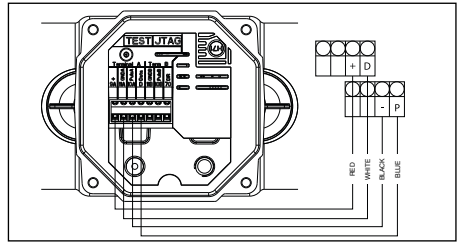
请参照以下连接图所示，连接到积分仪（CF51, CF55, Pulsbox 和CF800）。



在连接其他积分仪前，请确保使用认证通过的绝缘保护装置（如：使用埃创的脉冲连接盒）。



连接Axonic与CF51-CF55-PulseBox



连接Axonic与CF800

## 4.2 - 积分仪的安装连接

线A: 4线制, 用于积分仪与流量计的连接

- 1 - 白色线: 连接  $\mu$  Com/诊断接口
- 2 - 蓝色线: 脉冲A或诊断接口
- 3 - 黑色线: 接地
- 4 - 红色线: 连接主电源供电

线B: 三线制, 用于连接其他设备

- 红色线: 脉冲B
- 黑色线: 接地
- 白色线: 流向指示端口, 1表示正常流向, 0表示回流

## 4.3 - 输出脉冲 (A+B) 的特性

- 符合EN1434-2 Class OB, OC和OD标准的规定
- 类型: 开漏输出 (Open Drain)
- 极性: 不可转换 (请参阅电气连接图)
- 脉冲持续时间: 见下表所示
- 最大电压: 30V直流
- 最大电流: 27毫安
- 启动时的压降:  $\leq 0.3V$  at 0.1 mA /  $\leq 2V$  at 27 mA
- 最大输出频率: 128Hz
- 闭合时整机电阻:  $\geq 6M\Omega$
- 脉冲长度请见下表
- 最大线缆长度 10米

		DN65 - qp 25	DN80 - qp 40	DN100 - qp 60	DN150 - qp 150
脉冲当量		脉冲长度 (毫秒)			
8	p/L	5	n.a.	n.a.	n.a.
4	p/L	n.a.	5	n.a.	n.a.
2	p/L	n.a.	n.a.	5	5
1	L/p	20	20	10	10
2.5	L/p	50	50	20	50
10	L/p	100** (200, 500)	100** (200)	100	100
25-2500	L/p	100** (200, 500)	100** (200, 500)	100** (200, 500)	100** (200, 500)

\*\*标准版脉冲长度100毫秒, 括号内的值只对应特殊的型号



#### 4.4 - 电源

- 额定电压: 3.2 到 6V DC
- 平均消耗: < 50  $\mu$ A (具体取决于产品的设置)
- 最大峰值电流  $I_{max} < 3$  mA

#### 4.5 - 可选择通过Pulse-Box将Axonic与积分仪连接供电

Pulse-Box可实现以下功能:

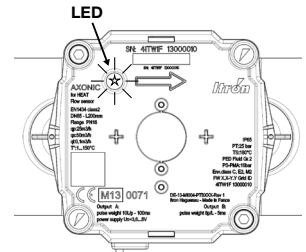
- 独立于积分仪之外直接给Axonic供电
- 提供比比Axonic更长的脉冲长度
- 保证Anonix与积分仪供电完全独立不相关
- 2线脉冲输出

安装之前请确认Axonic的脉冲与积分仪匹配。

通过Pulse-Box连接Axonic与积分仪时, 请仔细阅读说明书, 尤其注意对应极性!

脉冲出口特性:

- 版本: 集电极开路
- 极性: 不可转换
- 脉冲长度: 135  $\pm$  35 毫秒
- 最大输入电压: 30 V DC
- 最大输入电流: 27 mA
- 开机压降:  $\leq 0.3$  V at 0.1 mA,  $\leq 2.0$  V at 27 mA
- 整机电阻:  $\geq 6$  M $\Omega$
- 最大脉冲频率: 1Hz
- 最大线缆长度: 10 m



#### 5 - AXONIC 的操作说明

Axonic配备一个LED可以便于使用者进行简单的功能检查。信号会根据操作指令每10秒重复显示。

指令	信号闪烁次数	信号/间隔(重复)
流量监测	1	20ms (LED ON) / 10s
管路空气监测报警	2	20/500ms (LED ON/OFF) / 10s
信号低振幅 报警	3	20/500ms (LED ON/OFF) / 10s
最大流量报警	4	20/500ms (LED ON/OFF) / 10s
管道回流报警	5	20/500ms (LED ON/OFF) / 10s
测试模式	常闪	20/500ms (LED ON/OFF) / 常闪
产品设置未锁定	闪灯次序1,2,3,4,5	500/20ms (LED ON/OFF) / 10s
产品设置损坏	常亮	常亮 (LED ON)

积分仪的控功能:

通过检查流量和容积等指标, 检查验证数据的准确性, 参考积分仪的说明书和操作指导文件。

开始使用Axonic:

经过功能检测没有问题后, 可以使用Axonic来开始计量了。



加入我们, 开创一个更环保的世界!  
想要了解更多, 请访问我们的网站: [itron.com](http://itron.com)

While Itron strives to make the content of its marketing materials as timely and accurate as possible, Itron makes no claims, promises, or guarantees about the accuracy, completeness, or adequacy of, and expressly disclaims liability for errors and omissions in, such materials. No warranty of any kind, implied, expressed, or statutory, including but not limited to the warranties of non-infringement of third party rights, title, merchantability, and fitness for a particular purpose, is given with respect to the content of these marketing materials.  
© Copyright 2016 Itron. All rights reserved. HE-0058.4-ig-ML-02.18 17768-AA

#### ITRON

Room 2310, Golden Tower  
N° 1 Xibahe South Road,  
Chaoyang District  
Beijing - 100028

Phone: +86 10 64403188  
Fax: +86 10 64403129





The ITRON logo consists of the word "ITRON" in a bold, italicized, sans-serif font. The letter "I" is white and set against a black square background, while the remaining letters "TRON" are white.

Join us in creating a more **resourceful world**.  
To learn more visit **itron.com**

While Itron strives to make the content of its marketing materials as timely and accurate as possible, Itron makes no claims, promises, or guarantees about the accuracy, completeness, or adequacy of, and expressly disclaims liability for errors and omissions in, such materials. No warranty of any kind, implied, expressed, or statutory, including but not limited to the warranties of non-infringement of third party rights, title, merchantability, and fitness for a particular purpose, is given with respect to the content of these marketing materials.  
© Copyright 2016 Itron. All rights reserved. **HE-0058.3-ig-ML-02.18 17768-AA**

**ITRON**

11, boulevard Pasteur  
67500 Haguenau  
France

**Phone:** +33 3 88 90 63 00  
**Fax:** +33 3 88 73 23 20