

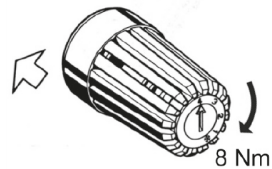
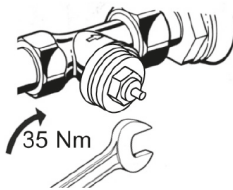


Thera-Van

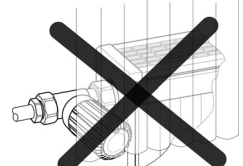
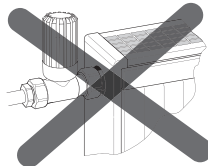
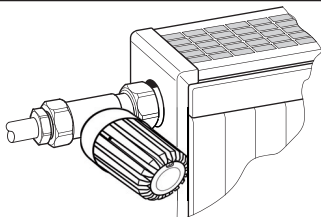
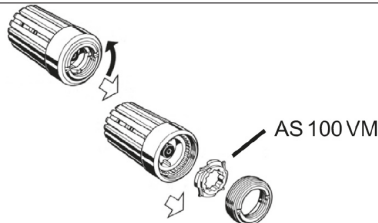
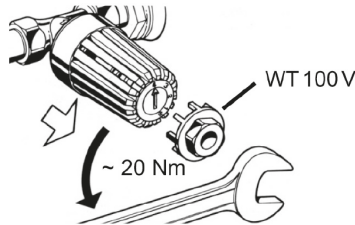
D	Montageanleitung	GR	οδηγίες εγκατάστασης
GB	Mounting instructions	H	Telepítési útmutató
F	Instructions d'installation	I	Istruzioni di montaggio
BG	Инструкции за монтаж	PL	Instrukcja montażu
CZ	Návod k montáži	P	Instruções de montagem
DK	Installationsvejledning	RO	Instrucțiuni de montaj
E	Instrucciones de montaje	RUS	Инструкция по монтажу
FIN	Asennusohje	TR	Montaj Talimatları



T 100VM - 101
T 100VM - 241



max 50 °C

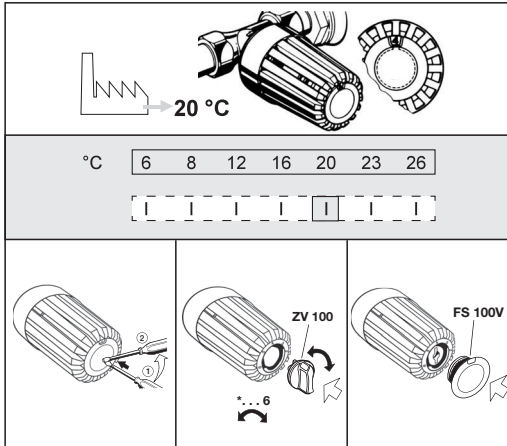




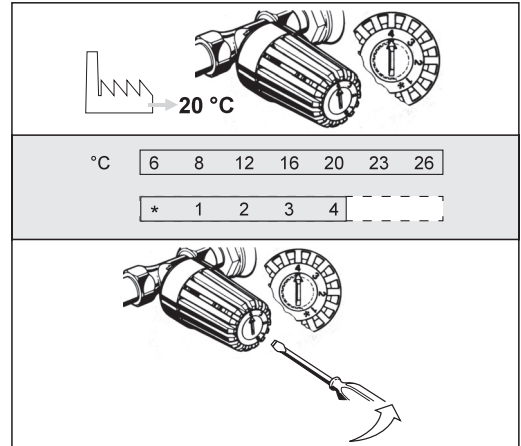
Thera-Van

D	Bedienungsanleitung	GR	οδηγίες λειτουργείας
GB	Operating instructions	H	Használati útmutató
F	Instructions d'utilisation	I	Istruzioni di funzionamento
BG	Инструкции за работа	PL	Instrukcja obsługi
CZ	Návod k obsluze	P	Instruções de funcionamento
DK	Brugsanvisning	RO	Instrucțiuni de operare
E	Instrucciones de funcionamiento	RUS	Инструкция по эксплуатации
FIN	Käyttöohje	TR	İşletme Talimatları

T 100 VM - 101



T 100 VM - 241



For more information

homecomfort.resideo.com/europe



Ademco 1 GmbH
 Hardhofweg 40
 74821 MOSBACH
 GERMANY
 Phone: +49 6261 810
 Fax: +49 6261 81309

Manufactured for and on behalf of the
 Pittway Sàrl, La Pièce 4, 1180 Rolle, Switzerland
 by its Authorised Representative Ademco 1 GmbH
 MU1H-GE25 R0620
 Subject to change

© 2020 Pittway Sàrl. All rights reserved.
 This document contains proprietary information of
 Pittway Sàrl and its affiliated companies and is
 protected by copyright and other international
 laws. Reproduction or improper use without specific
 written authorisation of Pittway Sàrl is strictly
 forbidden. The Honeywell Home trademark is used
 under license from Honeywell International Inc.