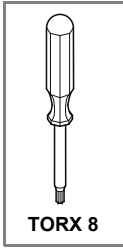




TA2080A / TA6900A



TA2080A001

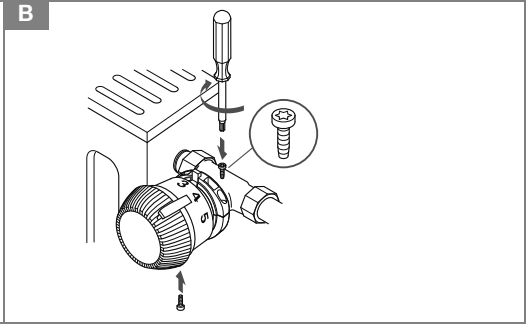
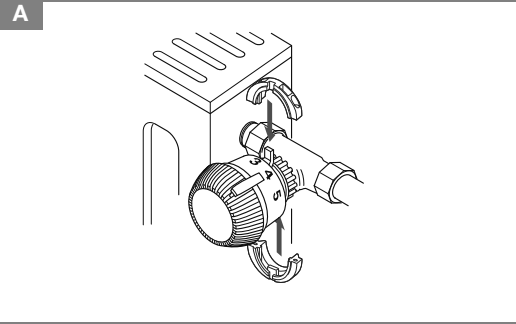
T7000 T7500

TA6900A001

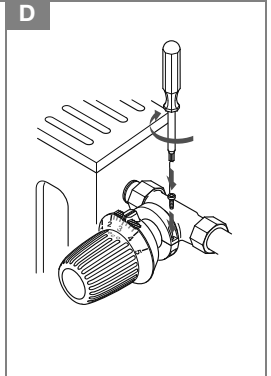
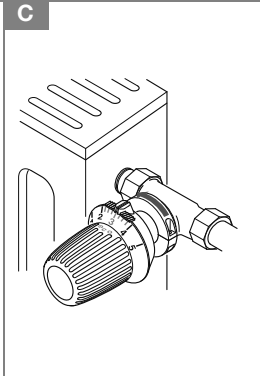
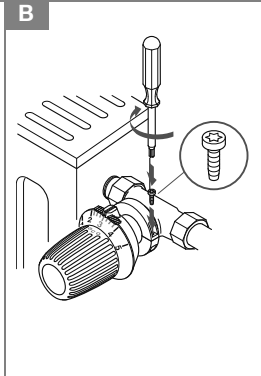
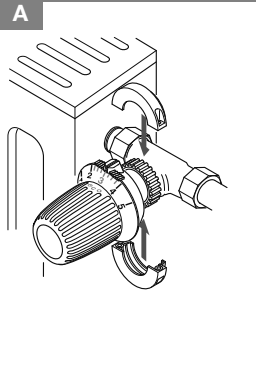
T1000 T3019 T6000 T9000



TA2080



TA6900



For more information

homecomfort.resideo.com/europe



Ademco 1 GmbH
Hardhofweg 40
74821 MOSBACH
GERMANY
Phone: +49 6261 810
Fax: +49 6261 81309

Manufactured for and on behalf of the
Pittway Sàrl, La Pièce 4, 1180 Rolle, Switzerland
by its Authorised Representative Ademco 1 GmbH
MU2H-2023GE23 R0620
Subject to change
© 2020 Pittway Sàrl. All rights reserved.
This document contains proprietary information of
Pittway Sàrl and its affiliated companies and is
protected by copyright and other international
laws. Reproduction or improper use without specific
written authorisation of Pittway Sàrl is strictly
forbidden. The Honeywell Home trademark is used
under license from Honeywell International Inc.

Honeywell Home