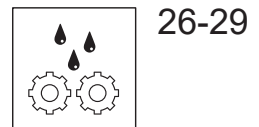
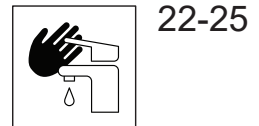
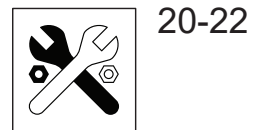
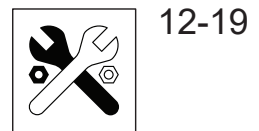
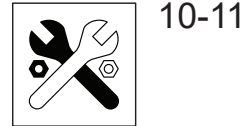




HANSA

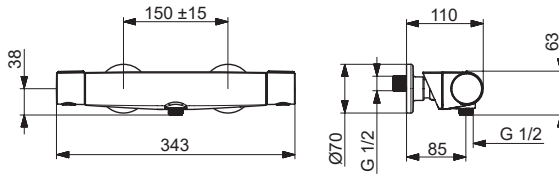
Installation and maintenance guide





6514 0201

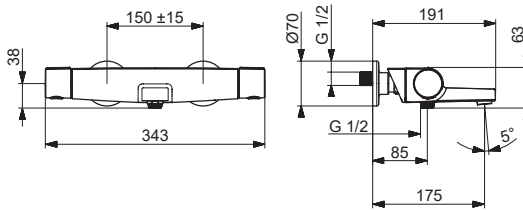
I (ISO 3822)
 EN1111
 100 - 1000 kPa
 0.12 l/s (Eco)
 0.22 l/s (300 kPa)
 250 kPa (0.2 l/s)
 max. +80°C



mpi.hansa.com/65140201

6513 2201

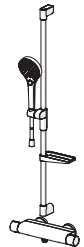
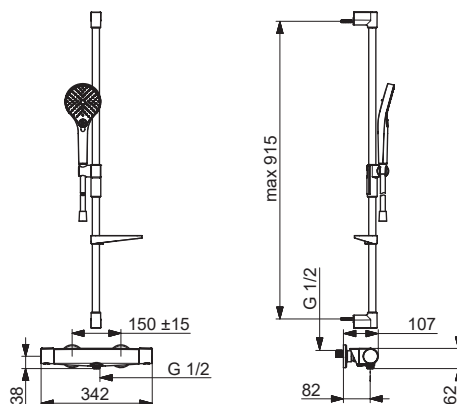
I (ISO 3822)
 EN1111
 100 - 1000 kPa
 0.32/0.22 l/s (300 kPa)
 265 kPa (0.3 l/s)
 max. +80°C



mpi.hansa.com/65132201

4813 0331

I (ISO 3822)
 EN1111
 100 - 1000 kPa
 0.12 l/s (Eco)
 0.22 l/s (300 kPa)
 250 kPa (0.2 l/s)
 max. +80°C

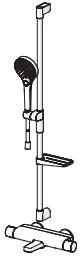
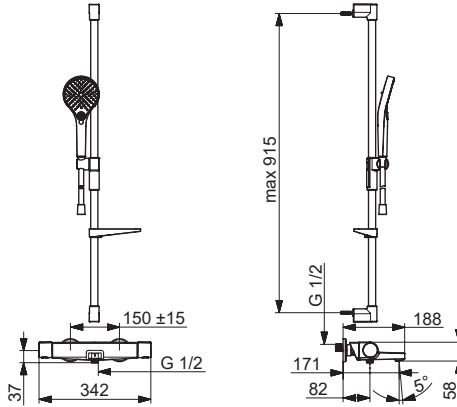


mpi.hansa.com/48130331



4837 2331

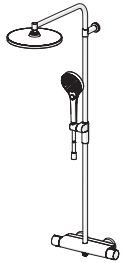
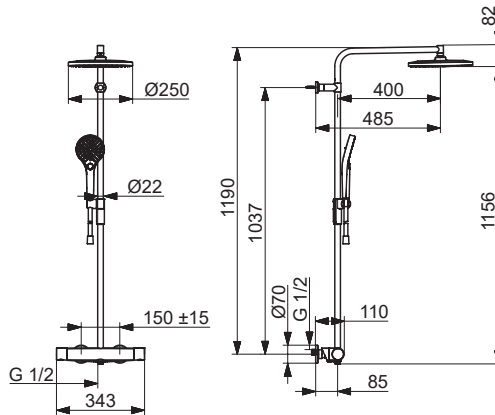
I (ISO 3822)
 EN1111
 100 - 1000 kPa
 0.12 l/s (Eco)
 0.22 l/s (300 kPa)
 250 kPa (0.2 l/s)
 max. +65°C



mpi.hansa.com/48372331

6515 9201

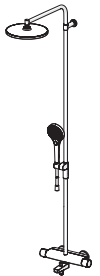
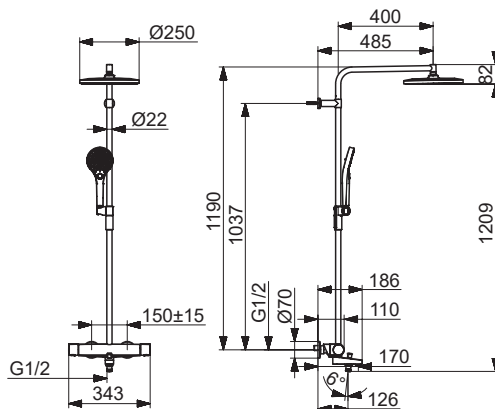
I (ISO 3822)
 EN1111
 100 - 1000 kPa
 0.12 l/s (Eco)
 0.22 l/s (300 kPa)
 250 kPa (0.2 l/s)
 max. +80°C



mpi.hansa.com/65159201

6516 2201

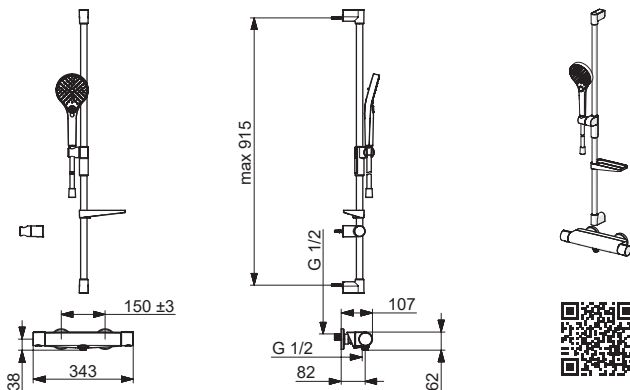
I (ISO 3822)
 EN1111
 100 - 1000 kPa
 0.12 l/s (Eco)
 0.32/0.22 l/s (300 kPa)
 265 kPa (0.3 l/s)
 max. +80°C



mpi.hansa.com/65162201

**4813 0331 0009**

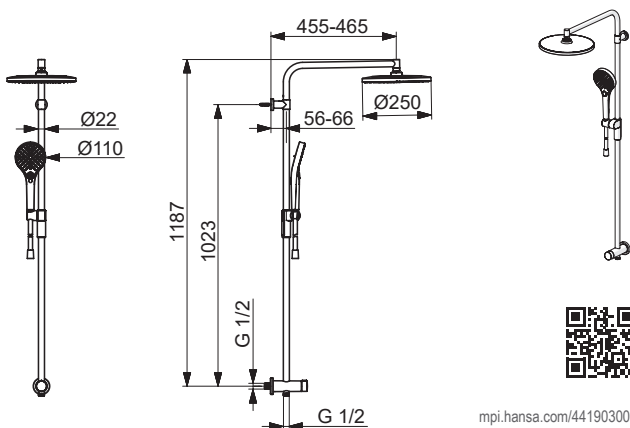
I (ISO 3822)
 EN1111
 100 - 1000 kPa
 0.12 l/s (Eco)
 0.22 l/s (300 kPa)
 250 kPa (0.2 l/s)
 max. +65°C



mpi.hansa.com/481303310009

4419 0300

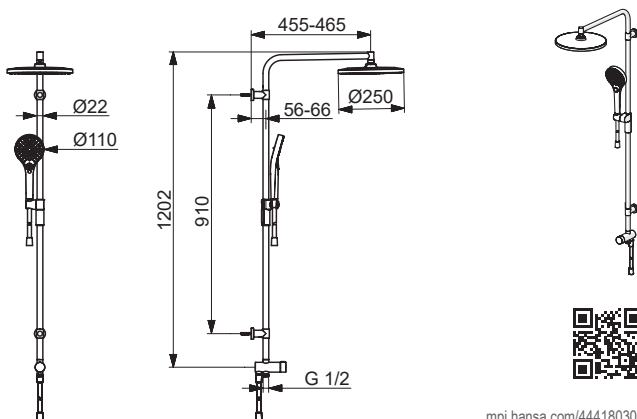
II (ISO 3822)
 EN1112
 50 - 500 kPa
 0.25 / 0.20 l/s (300 kPa w/Controller)
 250 kPa (0.2 l/s)
 max. +65°C



mpi.hansa.com/441903001

4418 0300

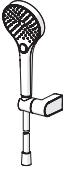
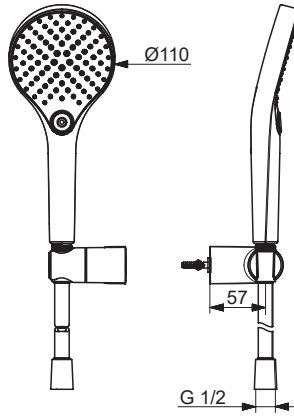
II (ISO 3822)
 EN1112
 50 - 500 kPa
 0.25 / 0.20 l/s (300 kPa w/Controller)
 250 kPa (0.2 l/s)
 max. +65°C



mpi.hansa.com/444180300

**4417 0120**

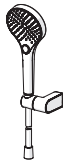
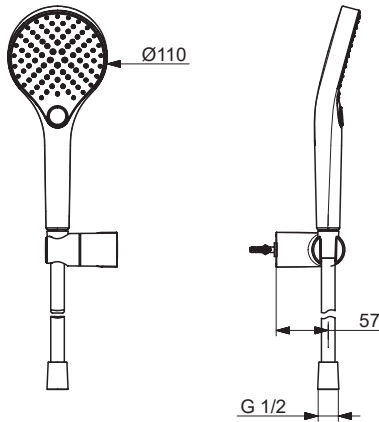
I (ISO 3822)
EN1112
50 - 500 kPa
0.20 l/s (300 kPa w/Controller)
max. +65°C



mpi.hansa.com/44170120

4417 0220

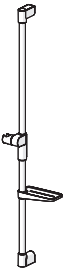
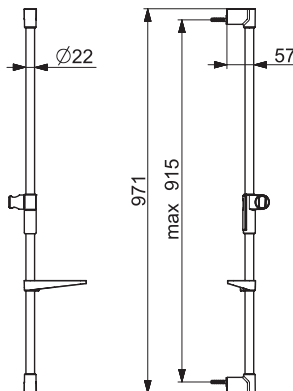
I (ISO 3822)
EN1112
50 - 500 kPa
0.20 l/s (300 kPa w/Controller)
max. +65°C



mpi.hansa.com/44170220

4413 0200

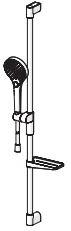
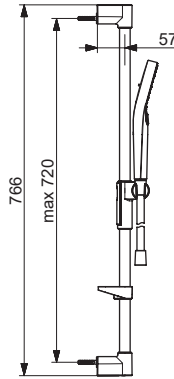
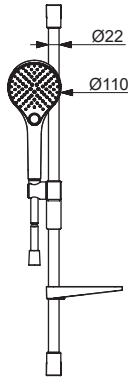
I (ISO 3822)
EN1112
50 - 500 kPa
max. +65°C



mpi.hansa.com/44130200

4416 0210

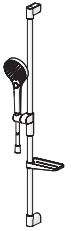
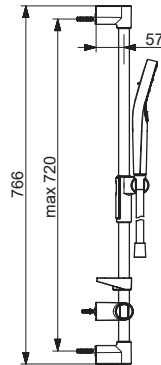
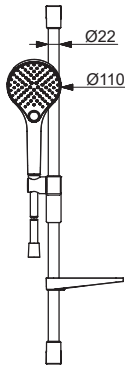
I (ISO 3822)
 EN1112
 50 - 500 kPa
 0.20 l/s (300 kPa w/Controller)
 max. +65°C



mpi.hansa.com/44160210

4416 0210 0009

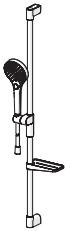
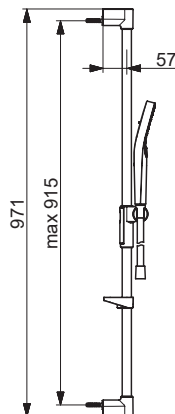
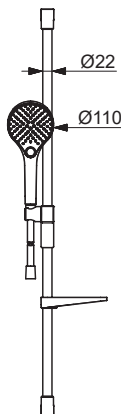
I (ISO 3822)
 EN1112
 100 - 1000 kPa
 0.15 l/s (300 kPa w/Controller)
 max. +65°C



mpi.hansa.com/441602100009

4415 0330

I (ISO 3822)
 EN1112
 50 - 500 kPa
 0.20 l/s (300 kPa w/Controller)
 max. +65°C

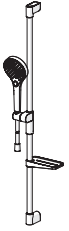
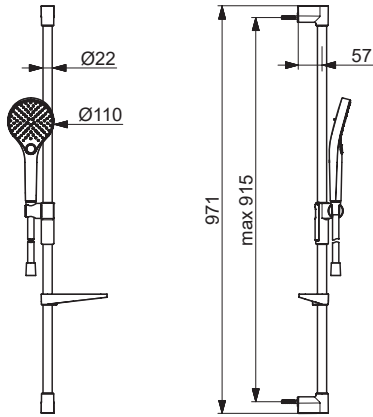


mpi.hansa.com/44150330

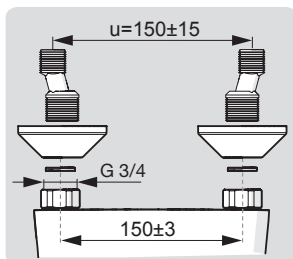
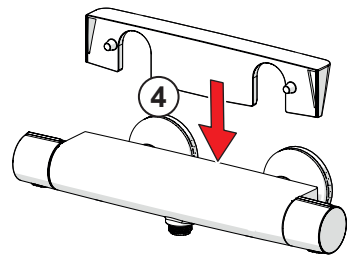
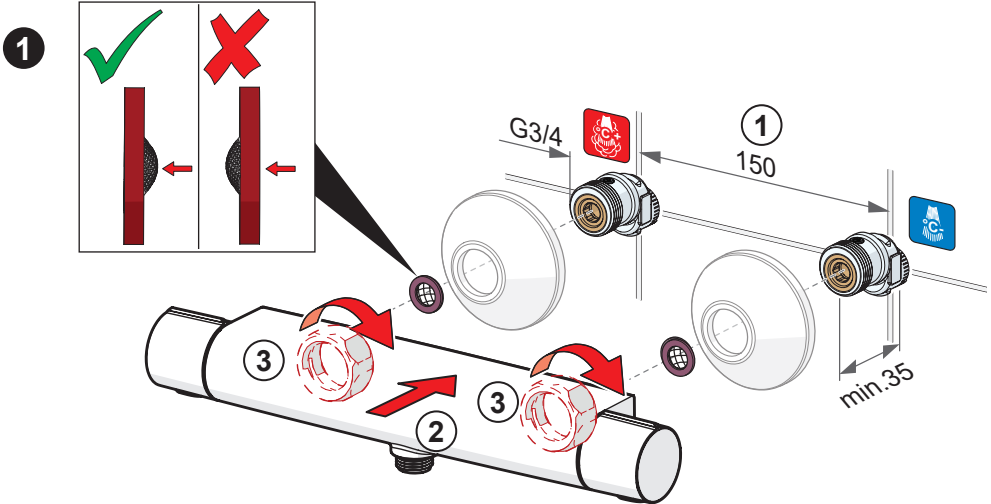
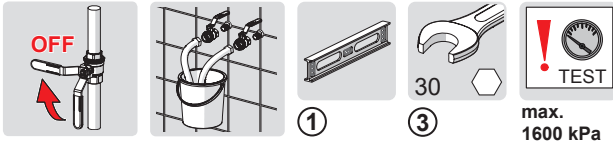


4415 0330 0009

I (ISO 3822)
EN1112
100 - 1000 kPa
0.15 l/s (300 kPa w/Controller)
max. +65°C

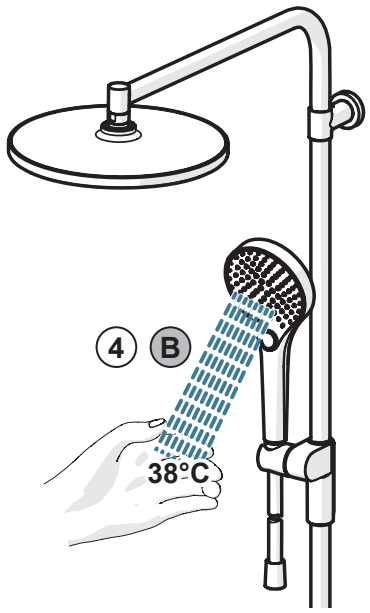
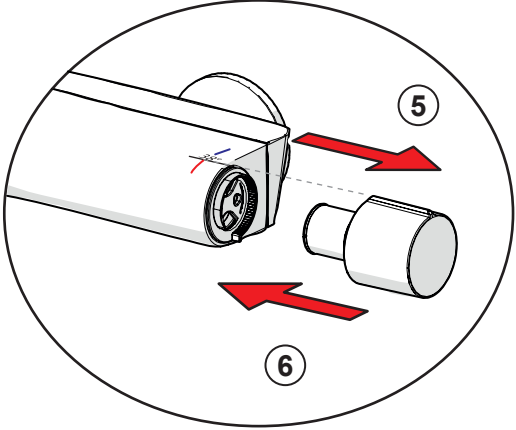
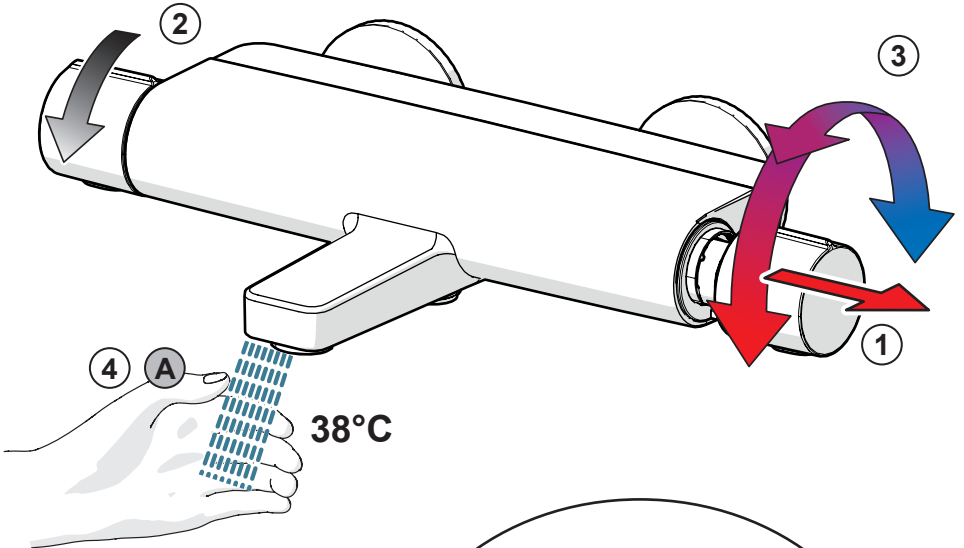


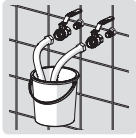
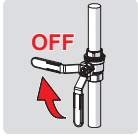
mpi.hansa.com/441503300009





3

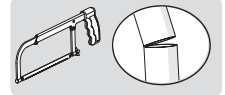




1



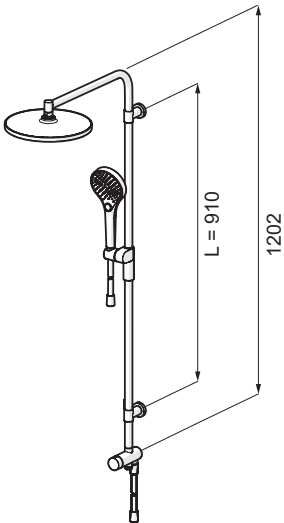
max.
1600 kPa



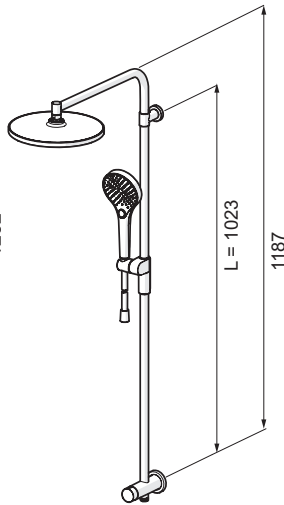
1



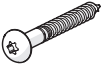
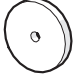
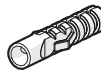
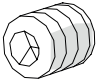
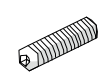

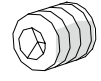

L



A **4418**
0300



B **4419**
0300

- | | | | |
|----------|---|----------|----------|
| | | A | B |
| A |  | 5x40 | x 4 x 2 |
| B |  | 21/3x3 | x 4 x 2 |
| C |  | 8x40 | x 4 x 2 |
| D |  | M5x10 | x 2 x 2 |
| E |  | M6x25 | x 2 x 1 |
| F |  | M4x4 | x 2 x 1 |
| G |  | M5x5 | x 1 |
| H |  | M5x6 | x 1 x 1 |



2



2



1

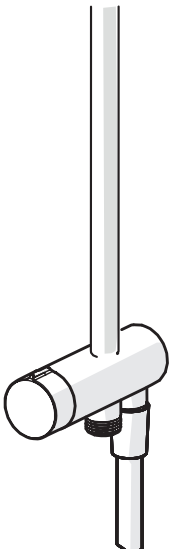
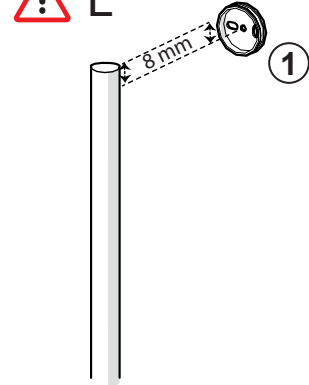


3



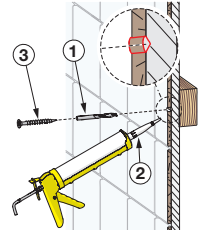
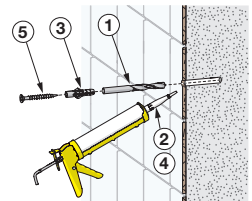
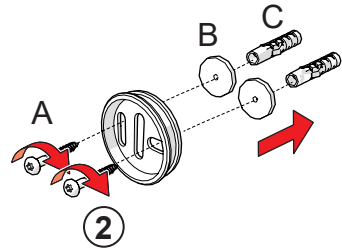
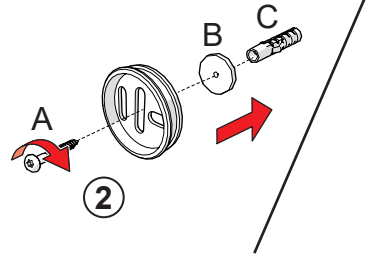
2

2 L



3

x 2 4418 0300





10/2.5

① ④

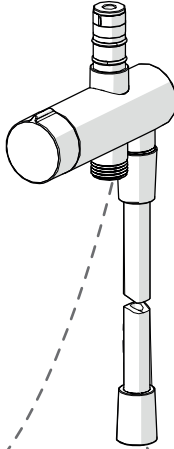
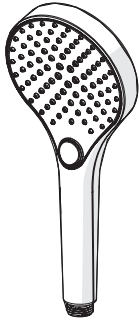


②

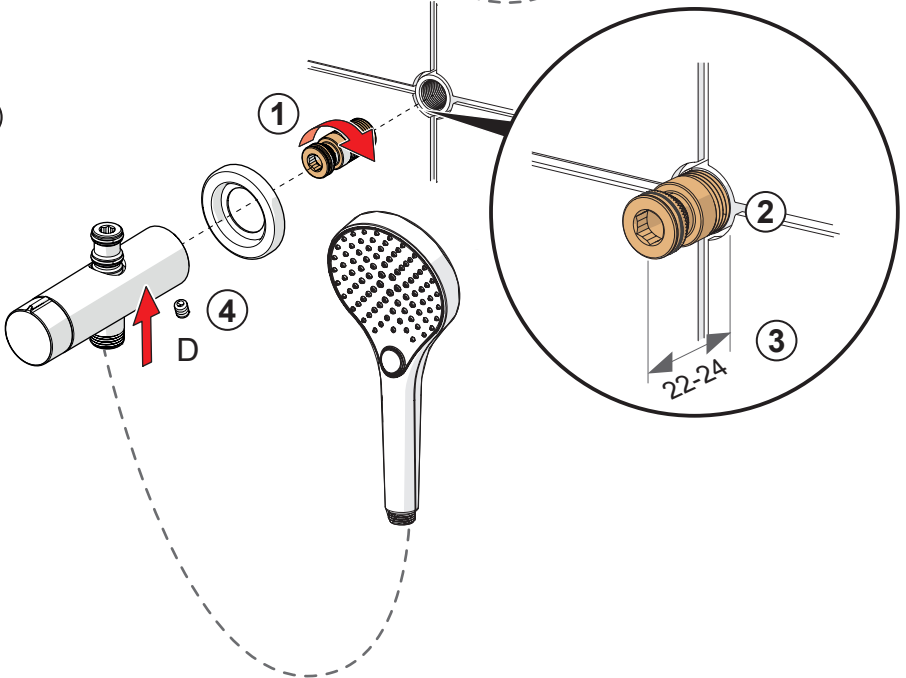


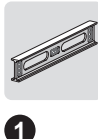
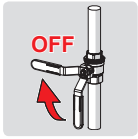
③

③ A



③ B






max.
1600 kPa

1


1

A  5x40 x 2

B  21/3x3 x 2

C  8x40 x 2

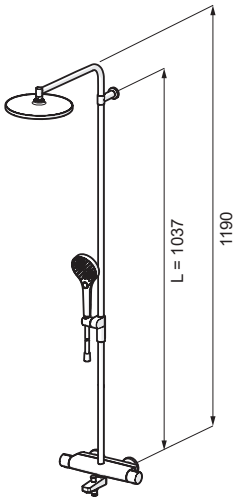
D  M6x6 x 1

E  M6x25 x 1

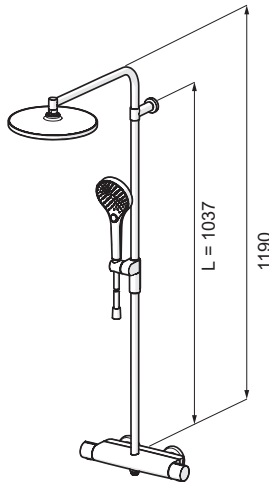
F  M4x4 x 1

G  M5x6 x 1

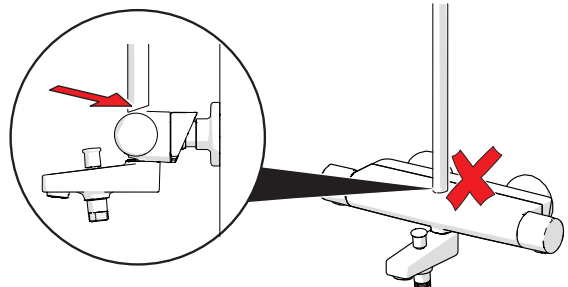
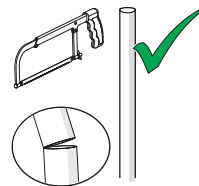
1  L



C 6516 2201



D 6515 9201





2



2



1

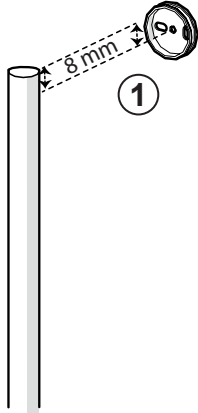


3



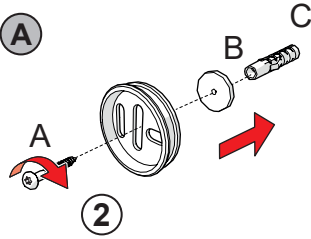
2

2

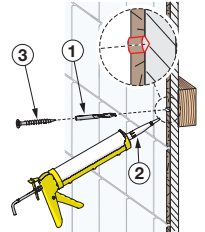
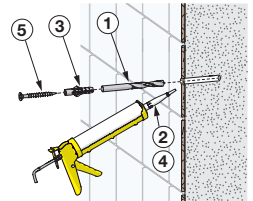
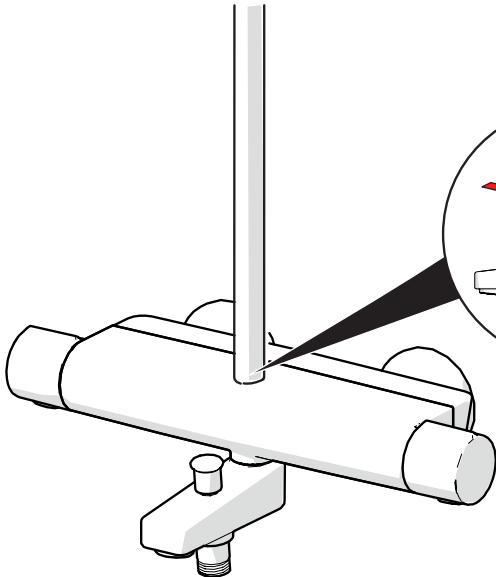
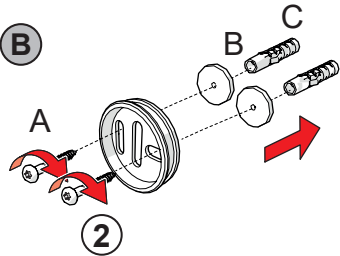


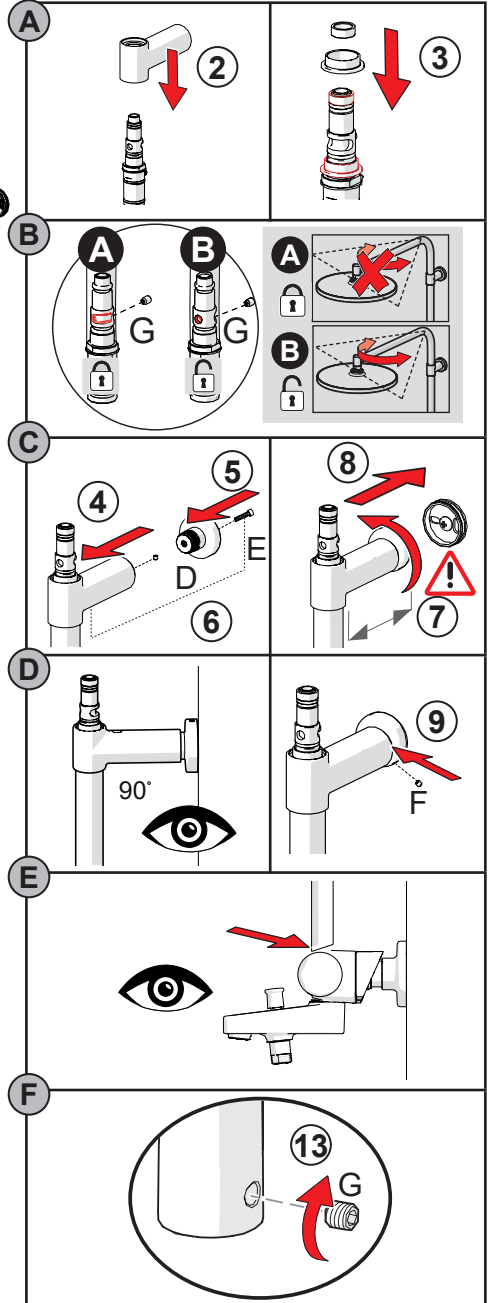
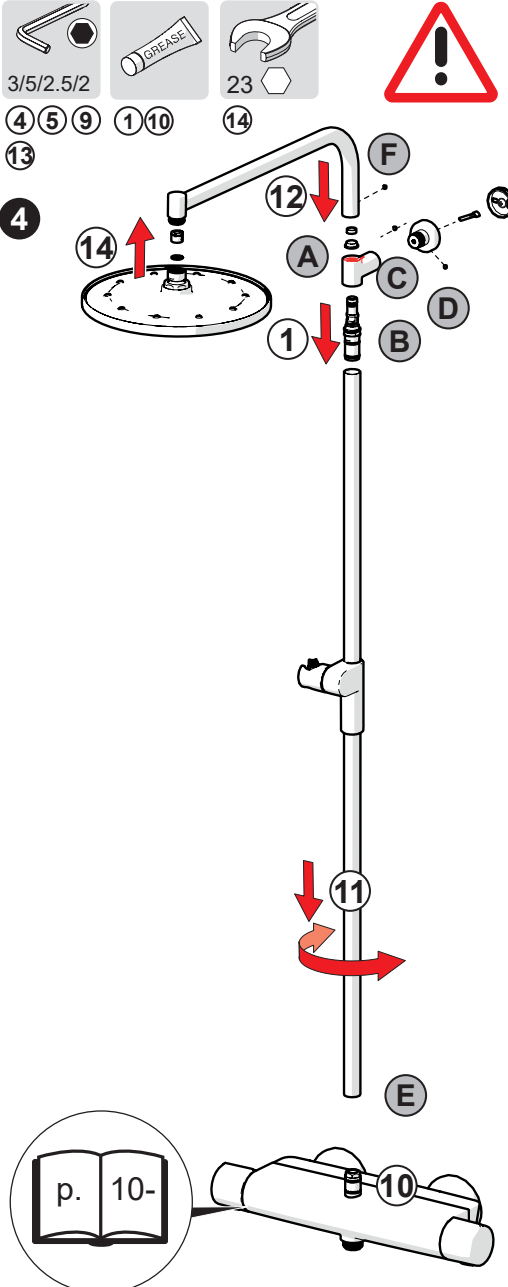
3

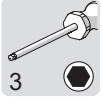
A



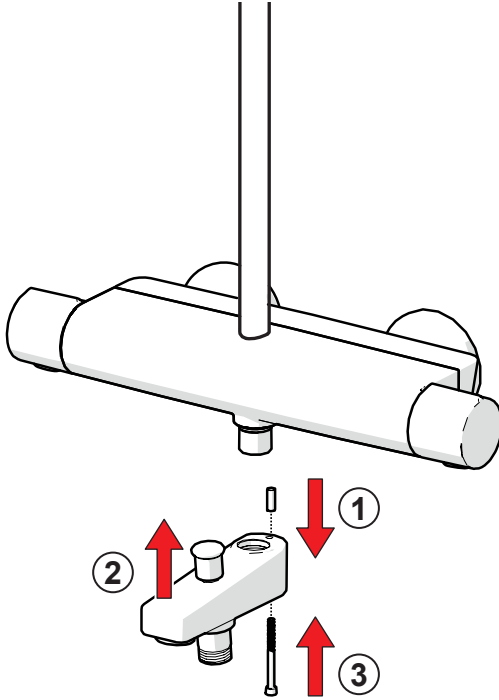
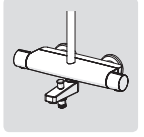
B







③



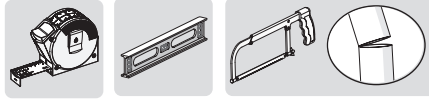


A  5x40 x 2

B  21/3x3 x 2

C  8x40 x 2

D  4x12 x 2



1

1

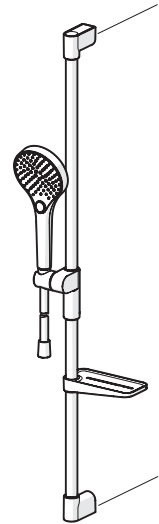
4416 0210

4415 0330

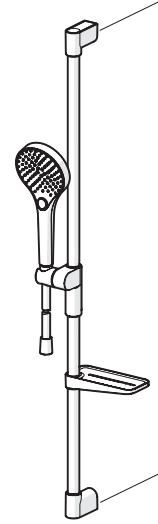
4416 0210 0009

4415 0330 0009

1

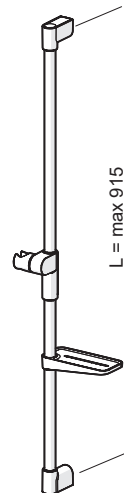


L = max 720

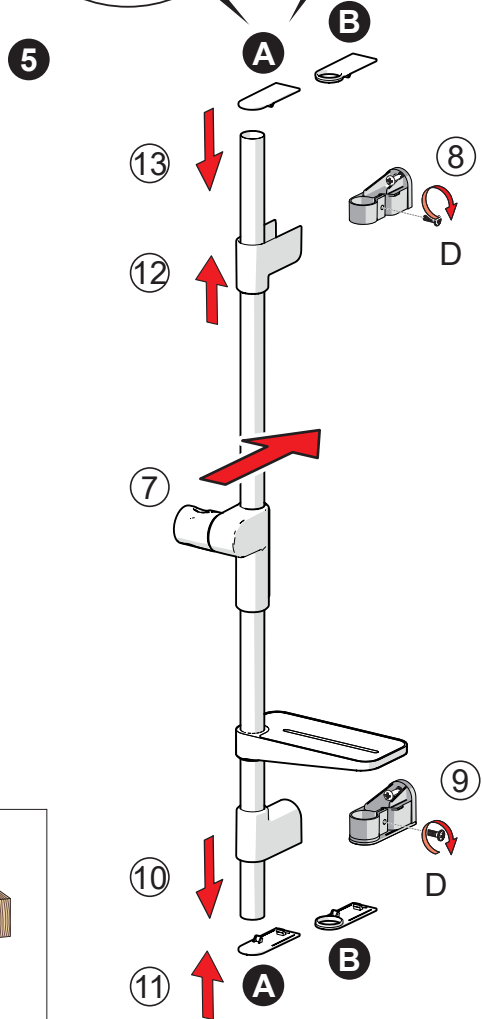
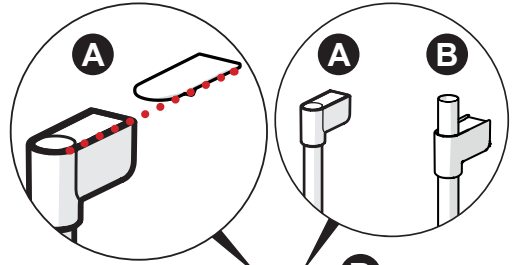
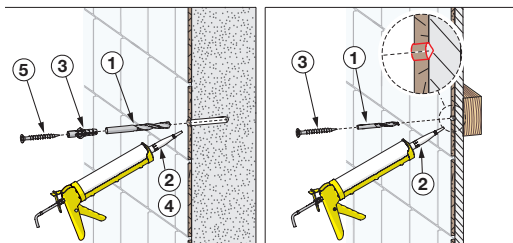
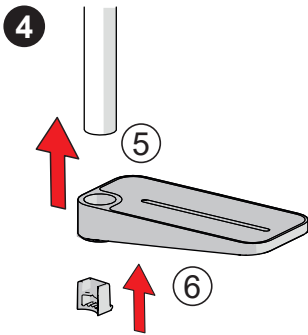
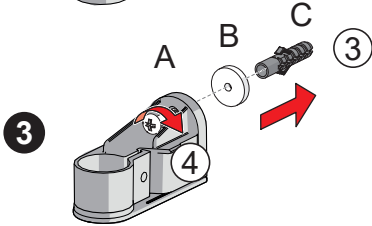
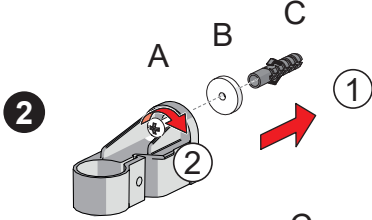
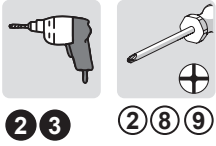


L = max 915

4413 0200



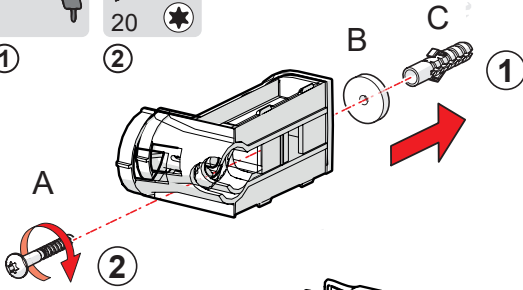
L = max 915





①

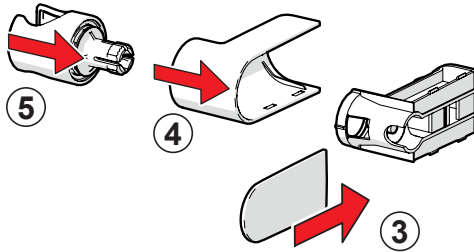
②



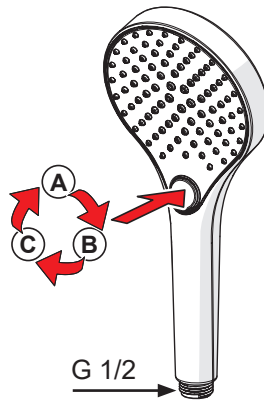
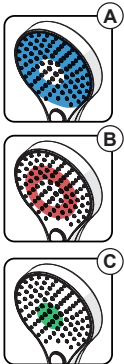
A  4x30 x 1

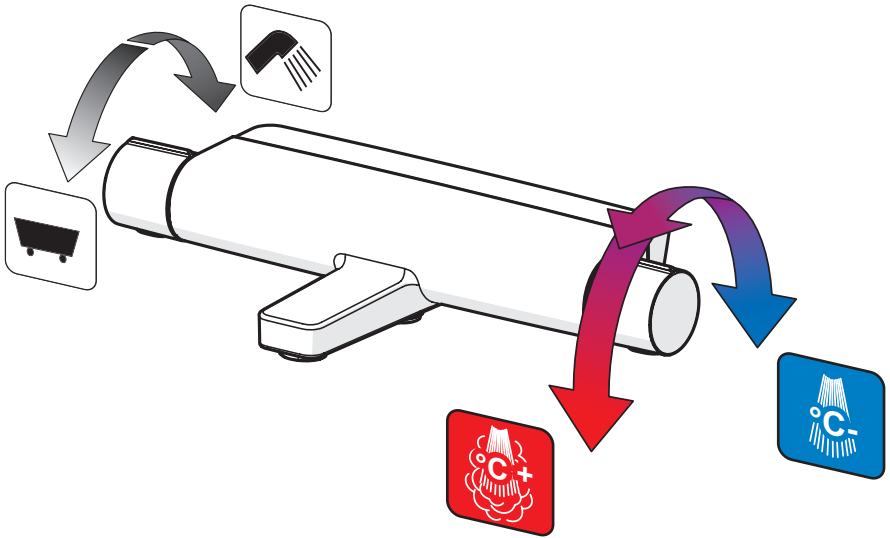
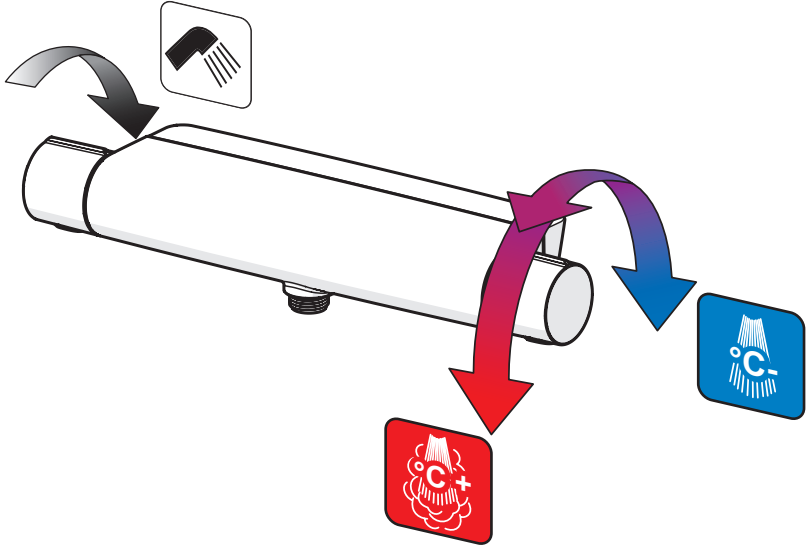
B  15/3x3 x 1

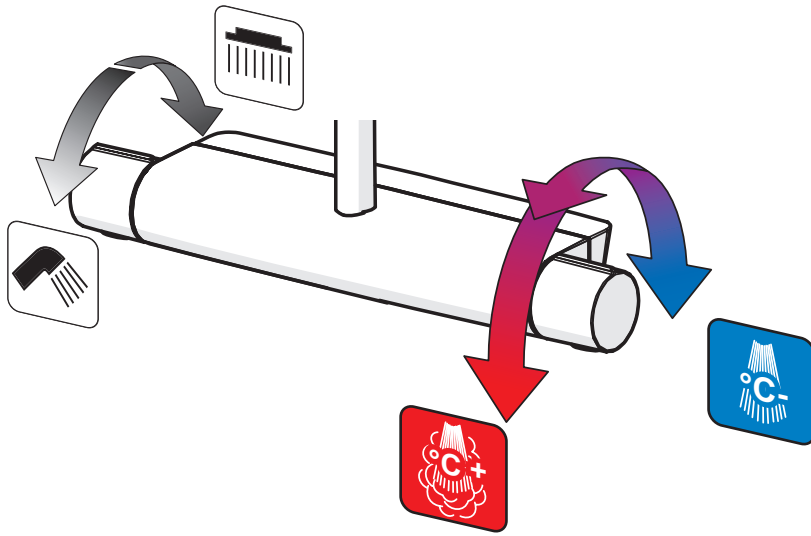
C  6x30 x 1

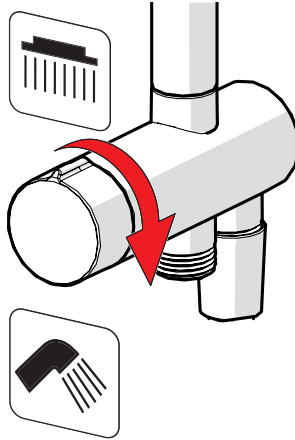


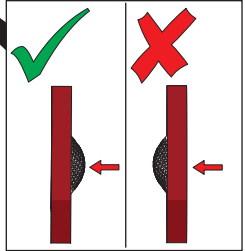
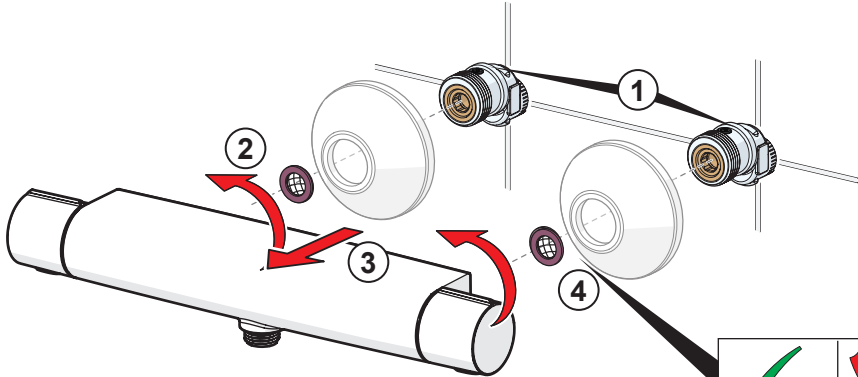
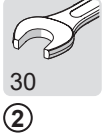
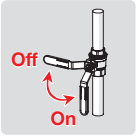
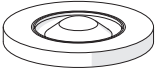
Max 65°C

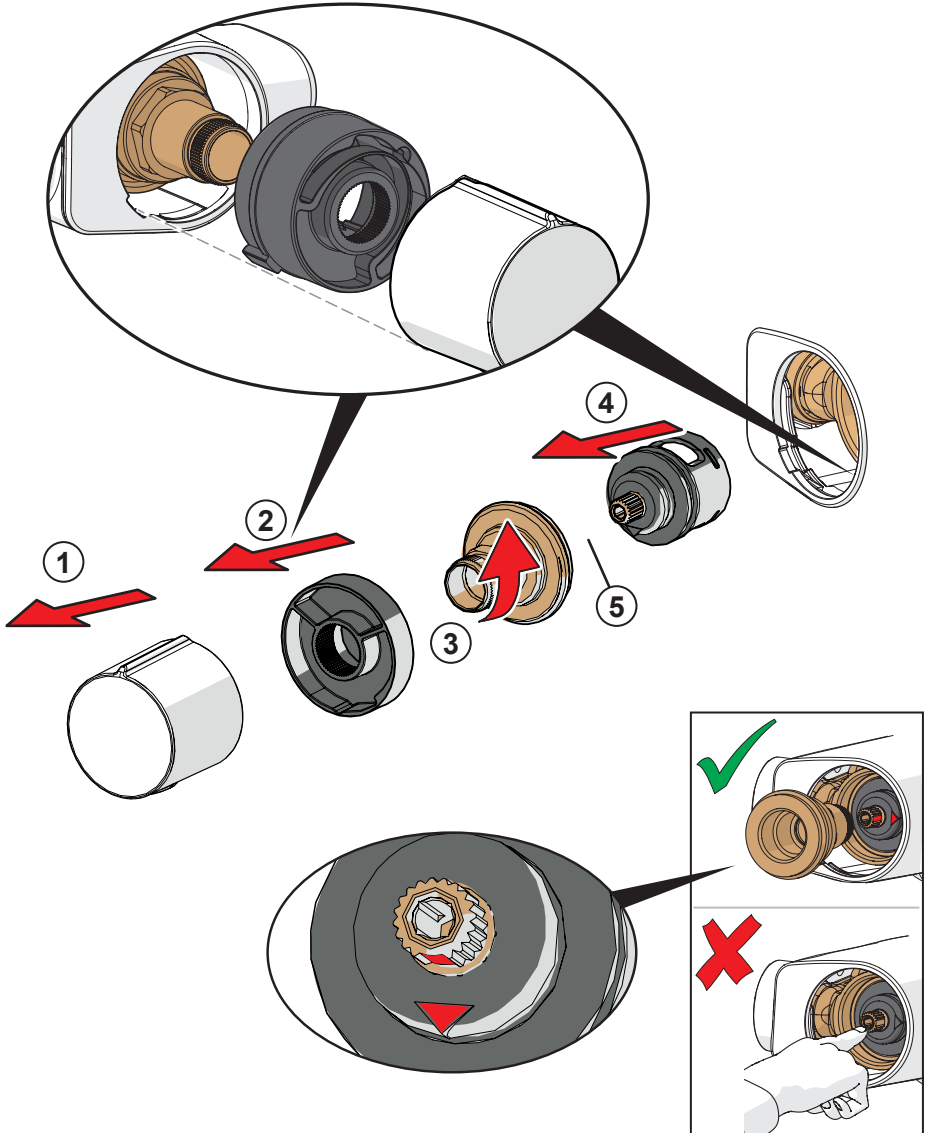
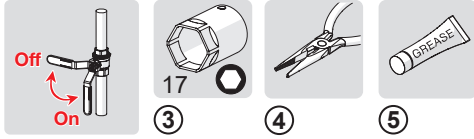


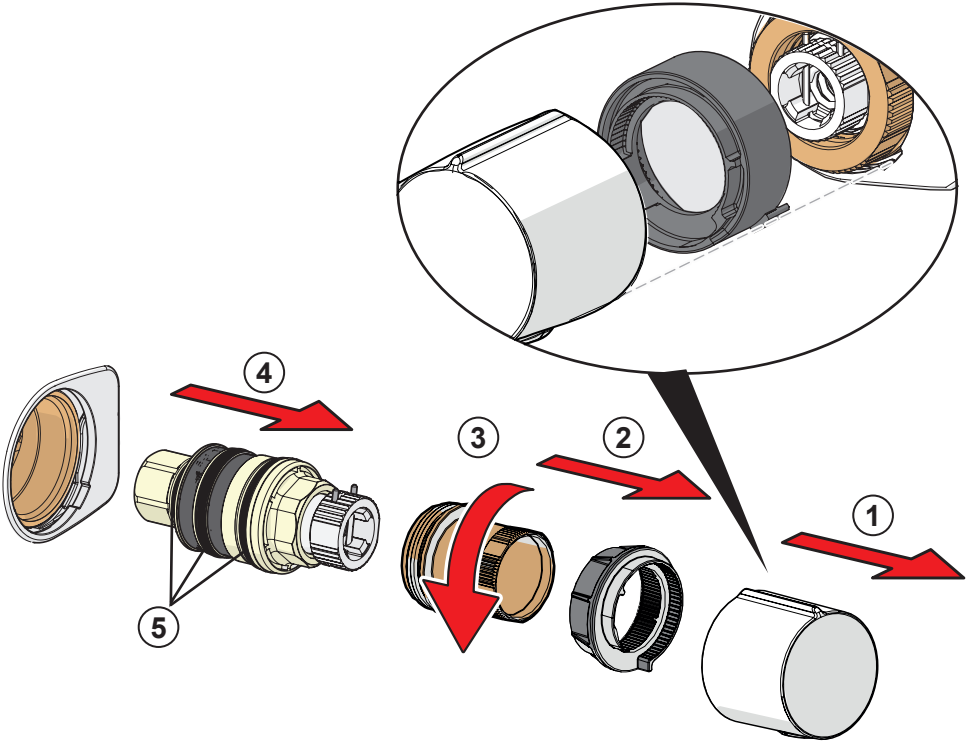
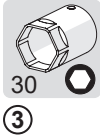
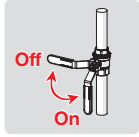


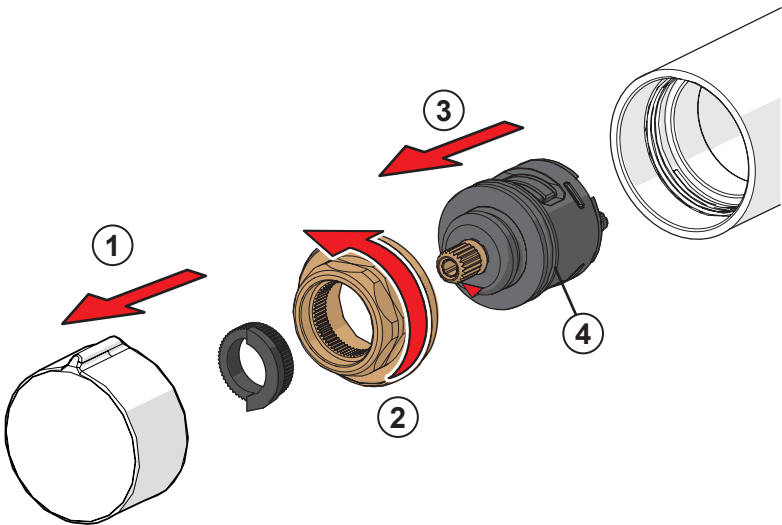
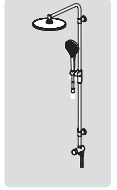
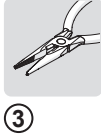
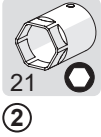
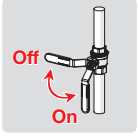
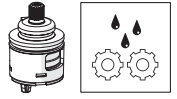






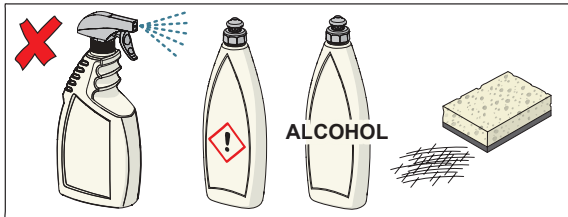
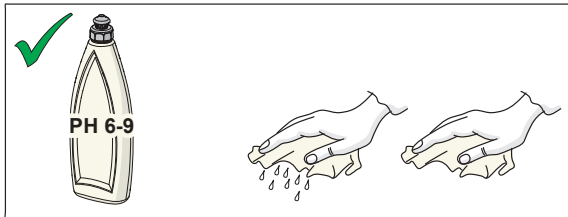
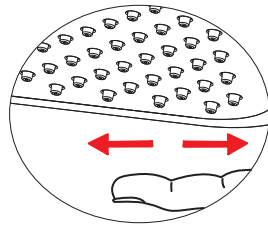
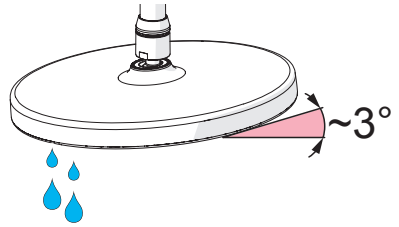
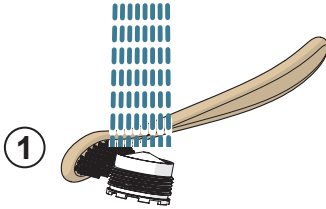








①



cleaning.hansa.com

About Oras Group

Oras Group is a significant European provider of sanitary fittings: the market leader in the Nordics and a leading company in Continental Europe.

The company's mission is to create the smartest water experiences for everyone and its vision is to become the Perfect Flow Company.

The Group has two strong brands, Oras and Hansa. Oras Group is owned by Oras Invest, a family company, and an industrial owner.

The domicile of Oras Ltd, the parent company of the Group, is located in Rauma, Finland, and the Group has three manufacturing sites: Kralovice (Czech Republic), Olesno (Poland) and Rauma (Finland).

The Group operates with its own staff in 17 markets. Oras Group's net sales were 233.5 million euros in 2021 and at the end of the period the company employed 1255 people.

HANSA Armaturen GmbH
P. O. BOX 81 02 40
D-70519 Stuttgart
Sigmaringer Strasse 107
D-70567 Stuttgart
Tel.: +49 711 16 14 0
Fax: +49 711 16 14 368
info@hansa.de
www.hansa.com

