

# resideo



## Braukmann V6000A Kombi-F-II

Installation instructions



Balancing valve

---

## GB

1	Safety Guidelines . . . . .	3
2	General information . . . . .	3
3	Description of Function . . . . .	3
4	Technical Data . . . . .	4
5	Options . . . . .	4
6	Assembly . . . . .	4
7	Installation . . . . .	5
8	Disposal . . . . .	6
9	Troubleshooting . . . . .	6
10	Dismantling the valve or the top part . . . . .	7
11	Warranty / Guarantee . . . . .	7

## 1 Safety Guidelines

1. Follow the installation instructions.
2. Use the appliance
  - according to its intended use
  - in good condition
  - with due regard to safety and risk of danger.
3. Note that the appliance is exclusively for use in the applications detailed in these installation instructions (see 4 Technical Data). Any other use will not be considered to comply with requirements and would invalidate the warranty.
4. Please take note that any assembly, commissioning, servicing and adjustment work may only be carried out by authorized persons.
5. Immediately rectify any malfunctions which may influence safety.

## 2 General information

These operating instructions provide information in mounting and maintaining the fittings. Please contact the supplier or the manufacturer in case of problems which cannot be solved by reference to the operating instructions.

They are binding on the transport, storage, installation, start-up, operation, maintenance and repair.

The notes and warnings must be observed and adhered to.

- Handling and all work must be carried out by expert personnel or all activities must be supervised and checked

It is owner's responsibility to define areas of responsibility and competence and to monitor the personnel.

- In addition, current regional safety requirements must be applied and observed when taking the fittings out of service as well as when maintaining and repairing them.

The manufacturer reserves the right to introduce technical modifications at any time.

These Operating Instructions comply with the requirements of EU Directives.

### 2.1 Explanatory notes on safety information

In these Operating and Installation Instructions dangers, risks and items of safety information are highlighted to attract special attention.

Information marked with the above symbol and

**"WARNING! "** describe practices, a failure to comply with which can result in serious injury or danger of death for users or third parties or in material damage to the system or the environment. It is vital to comply with these practices and to monitor compliance.

All other information not specifically emphasised such as transport, installation, operating and maintenance instructions as well as technical data (in the operating instructions, product documentation and on the device itself) must also be complied with to the fullest extent in order to avoid faults which in turn can cause serious injury to persons or damage to property.

## 3 Description of Function

Line regulatiValves are used for „shut-off and/or throttling of media“. Valves with a defined characteristic for heating and cooling systems.



### WARNING!

- Refer to the data sheet for applications, limits on use and possibilities.
- Certain media require or preclude the use of special materials.
- The valves are designed for standard operating conditions. If conditions exceed these requirements, e.g. aggressive or abrasive media, the operator should state the higher requirements when ordering.
- Valves made from grey cast iron are not authorised for use in systems subject to TRD 110.

The information complies to the Pressure Equipment Directive 97/23/EC. It is the responsibility of the machine planner to ensure compliance. The special markings on the valve must be taken into account.

Refer to the catalogue sheet to see which materials are used in standard versions. Please contact the supplier or the manufacturer if you have any questions. Do not use V6000 Kombi-F-II valves for handling steam!

### 3.1 Operating principles

The valve is closed (plug/seat function) by turning the hand wheel clockwise.



#### WARNING!

Do not use tools to increase the torque on the hand wheel.

The valve spindle is sealed by an EDD double flexible seal system. The stress on the EDD double flexible seal system is relieved by the return seal when the valve is fully open.

The position of the plug is shown on the digital display every complete turn and every tenth and five-hundredths of a turn.

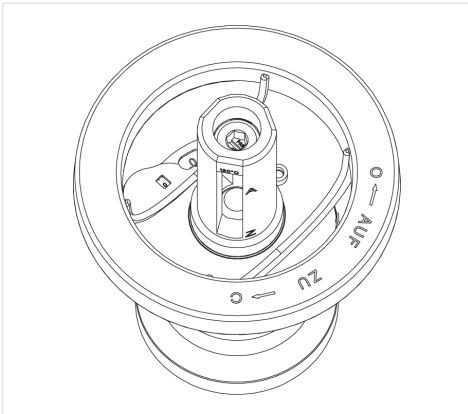


Fig. 1 DN15 - 200 with digital display

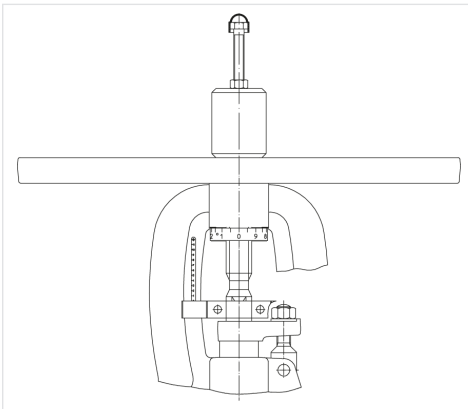


Fig. 2 DN250 with lift indicator

## 4 Technical Data

<b>Media</b>	
Medium:	Water, water-glycol mixture
<b>Pressure values</b>	
Max. operating pressure:	16 bar for DN15 to DN300 14 bar for DN350 12 bar for DN400
<b>Operating temperatures</b>	
Water:	-10 - 120 °C (14 - 248 °F)
Water-glycol mixtures:	-10 - 110 °C (14 - 230 °F)
<b>Connections/Sizes</b>	
$k_{vs}$ ( $C_{vs}$ )-value:	see table below and flow diagrams

Note: The valves are designed for application not influenced by weather. For application outside or in adverse environments like corrosion-promoting conditions (sea water, chemical vapours, etc.) special constructions or protective measures are recommended.

Note: To avoid stone deposit and corrosion the composition of the medium should conform with VDI-Guideline 2035

Note: Additives have to be suitable for EPDM sealings

Note: System has to be flushed thoroughly before initial operation with all valves fully open

Note: Any complaints or costs resulting from non-compliance with above rules will not be accepted

Note: Please contact us if you should have any special requirements or needs

## 5 Options

For Options visit [homecomfort.resideo.com/europe](http://homecomfort.resideo.com/europe)

## 6 Assembly

### 6.1 Installation Guidelines

- To avoid stone deposit and corrosion the composition of the medium should conform with VDI-Guideline 2035
- Additives have to be suitable for EPDM sealings
- System has to be flushed thoroughly before initial operation with all valves fully open
- Any complaints or costs resulting from non-compliance with above rules will not be accepted by Resideo
- Please contact us if you should have any special requirements or needs

### 6.2 Assembly instructions

#### 6.2.1 General notes on installation

The following points should be taken into account besides the general principles governing installation work:

- Remove flange covers if present
- The interior of valve and pipeline must be free from foreign particles
- Note installation position with reference to flow, see mark on valve
- Lay pipelines so that damaging transverse, bending and torsional forces are avoided
- Protect valves from dirt during construction work
- Connection flanges must mate exactly
- Connecting bolts for pipe flanges should be mounted preferably from the counter flange side (hexagon nuts from the valve side). At DN15-32: If valves should be mounted directly to valves, the upper flange connecting bolts should be preferably executed with studs and hexagon nuts on both sides
- Valve mountings such as actuators, handwheels, hoods must not be used to take external forces, e.g. they are not designed for use as climbing aids, or as connecting points for lifting gear
- Suitable materials handling and lifting equipment should be used. See data sheet for weights
- Valves can be installed with the spindle pointing in any direction, but the preferred spindle position is vertical
- Valves should be installed upside down only, if the medium being handled is clean
- Centre gaskets between the flanges
- Reference for isolation: If media-temperatures < ambient temperatures - ask manufacturer
- It is forbidden to heat the valve to above its service temperature (see data sheets), for instance by welding, grinding, etc.
- To ensure that the valves function correctly, the pipe run should be straight for at least 6 x DN upstream and 2 x DN downstream of the valve
- Planners / construction companies or operators are responsible for positioning and installing products
- The valves are designed for application, not influenced from weather
- For application outside or in adverse environments like corrosion-promoting conditions (sea water, chemical vapours, etc.), special constructions or protective measures are recommended

## 6.2.2 Mounting the handwheel and display in lagged pipe runs

### Removing the handwheel

1. Close the valve by hand (Pos. 5) ("0" position)
2. Unscrew the cap (Pos. 23)
3. Lift off the handwheel (Pos. 5) and the digital display (Pos. 20)
4. Insulation diameter: DN 15- 50 = 60 mm / DN 65-200 = 87 mm

Do not remove the insulation cap.

### Fitting the hand wheel and display

1. Set the digital display (Pos. 19) in place, regard "0" position
2. Set the handwheel (Pos. 5) in place
3. Screw on the cap (Pos. 23): DN 15- 50 = 11 Nm / DN 65-200 = 15 Nm

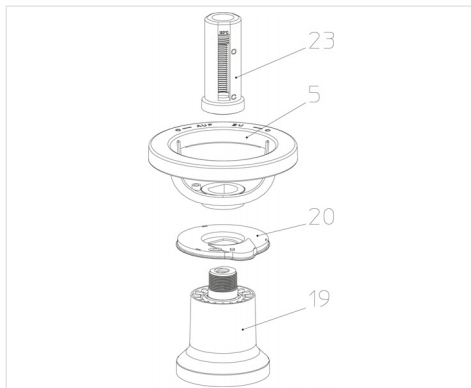


Fig. 3

### 6.2.3 Putting the valve into operation

- Before putting the valve into operation, check material, pressure, temperature and direction of flow
  - Regional safety instructions must be adhered to
  - Residues in piping and valves (dirt, weld beads, etc.) inevitably lead to leakage
  - Touching the valve when it is operating at high (> 50°C) or low (< 0°C) media temperatures can cause injury.
- Affix warning notice or protective insulation as appropriate!

Before putting a new plant into operation or restarting a plant after repairs or modification, always make sure that:

- All works has been completed!
- The valve is in the correct position for its function
- Safety devices have been attached

The following points must be observed:

- Pressureless pipe system
- Medium must be cool
- Plant must be drained
- Purge piping systems in case of caustic, inflammable, aggressive or toxic media
- Proprietary measuring instruments (e.g. ARImetec-DX, ARImetec-D) can be used for hydraulic calibration
- The operating instructions for the measuring instruments must be observed

## 7 Maintenance



In order to comply with EN 806-5, water fixtures must be inspected and serviced on an annual basis. As all maintenance work must be carried out by an installation company, it is recommended that a servicing contract should be taken out.

### 7.1 Maintenance

Maintenance and maintenance-intervals have to be defined by the operator according to the requirements.

- Keep the spindle well greased!



#### WARNING!

Pay attention, that the lubricant is suitable for the media.

#### DN15-200:

- The stem sealing is maintenance-free

#### DN250-400:

- If the spindle starts leaking, tighten the stuffing box with the hexagonal nut until leaking stops



#### WARNING!

- Retighten the stuffing box packing if required and repack it in good time.

- For safety reasons we recommend that valves only be repacked when depressurised.

See chapter ExternalLink: and chapter ExternalLink: before dismantling the valve.

## 9 Troubleshooting

In the event of malfunction or faulty operating performance check that the installation and adjustment work has been carried out and completed in accordance with these Operating Instructions.



#### WARNING!

It is essential that the safety regulations are observed when identifying faults.

If malfunctions cannot be eliminated with the help of the following table, the supplier or manufacturer should be consulted.



#### WARNING!

- Read chapter 10 Dismantling the valve or the top part and chapter 11 Warranty / Guarantee prior to dismantling and repair work!

- Read chapter 7.3 Putting the valve into operation before restarting the plant!

Problem	Cause	Remedy
No flow	Valve closed	Open valve
	Flange covers not removed	Remove flange covers
Little flow	Valve not sufficiently open	Open valve
	Dirt screen clogged	Clean / replace screen
	Piping system clogged	Check piping system
Valve difficult to move or cannot be opened	Wrong direction of rotation	Turn in correct direction (anticlockwise to open valve)

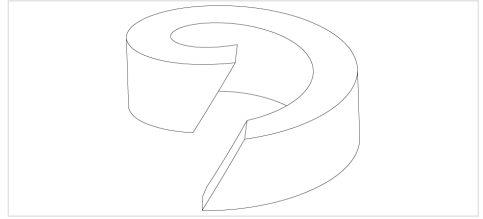


Fig. 4 Split packing ring

- When cutting the new packing from the cord, make sure that the ends are cut with a slant (see Fig. Split packing ring)

#### Mounting of the bonnet:

- Before reassembling the unit, remember that the bearing surface must be cleaned and 2 new gaskets must be inserted
- Set the cover in place
- Tighten the hexagon nuts (hexagon screws for valves of cast iron) evenly crosswise
- Tightening torque's for hexagon nuts / screws:

DN	hexagon nuts /hexagon screws	Torque (Nm)
250-400	M 24	340-410

## 8 Disposal

Observe the local requirements regarding correct waste recycling/disposal!

Valve spindle leaking	EDD-special spindle seal	Replace valve or bonnet
	Stuffing box gland DN250-400 slack	Tighten stuffing box gland with hexagon nut until leakage stops; Replace top part at earliest opportunity! If necessary, renew packing in stuffing box seal. Observe warnings!
Leakage across valve seat	Valve not properly closed	Pull hand wheel tight without tools
	Seat / plug damaged by foreign particles	Replaced valve, consult supplier/ manufacturer
	Pressure difference too high	Check system pressure and pressure drop (max. $\Delta p = 16$ bar); Reduce system pressure.
	Medium contaminated (suspended solids)	Clean valve; Install dirt screen upstream of valve
Valve with stroke limiter cannot be opened	Stroke limiter on spindle stop has been tightened	Turn stroke limiter upwards
Flange broken between valve and piping	Bolts tightened unevenly. Mating flanges not properly aligned	Realign piping and fit new valve!
Display does not show "0"/"0" when valve is closed	Display not fitted properly after pipe was lagged	Close valve, unscrew cap, remove hand wheel and digital display, set display to "0"/"0" and reassemble in reverse order. (See chapter 7.2 Mounting the handwheel and display in lagged pipe runs)
False data recorded	False data displayed	Observe operating instructions for measuring instrument used (see chapter 7.2 Mounting the handwheel and display in lagged pipe runs)

## 10 Dismantling the valve or the top part



### WARNING!

The following points must be observed:

- Pressureless pipe system.
- Medium must be cool.
- Plant must be drained.
- Purge piping systems in case of caustic, inflammable, aggressive or toxic media.

## 11 Warranty / Guarantee

The extent and period of warranty cover are specified in the "Standard Terms and Conditions of Resideo" valid at the time of delivery or, by way of departure, in the contract of sale itself.

We guarantee freedom of faults in compliance with state-of-the-art technology and the confirmed application.

No warranty claims can be made for any damage caused as the result of incorrect handling or disregard of operating and installation instructions, datasheets and relevant regulations. This warranty also does not cover any damage which occurs during operation under conditions deviating from those laid down by specifications or other agreements.

Justified complaints will be eliminated by repair carried out by us or by a specialist appointed by us.

No claims will be accepted beyond the scope of this warranty. The right to replacement delivery is excluded.

The warranty shall not cover maintenance work, installation of external parts, design modifications or natural wear.

Any damage incurred during transport should not be reported to us but rather to the competent cargo-handling depot, the railway company or carrier company immediately or else claims for replacements from these companies will be invalidated.



Manufactured for  
and on behalf of

Pittway Sàrl, Z.A., La Pièce 4,  
1180 Rolle, Switzerland

by its authorised representative  
Ademco 1 GmbH

For more information  
[homecomfort.resideo.com/europe](https://homecomfort.resideo.com/europe)

Ademco 1 GmbH, Hardhofweg 40,  
74821 MOSBACH, GERMANY

Phone: +49 6261 810  
Fax: +49 6261 81309