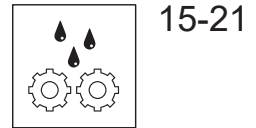
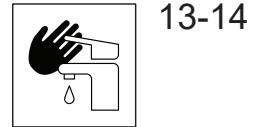
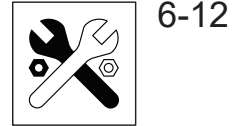




HANSA

Installation and maintenance guide



HANSA Connect App
Download on the
App Store
GET IT ON
Google Play
hansa.com/hansa-app

Apple and the Apple logo are trademarks of Apple Inc., registered in the U.S. and other countries. App Store is a service mark of Apple Inc., registered in the U.S. and other countries.

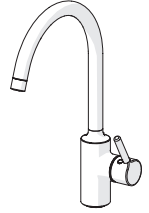
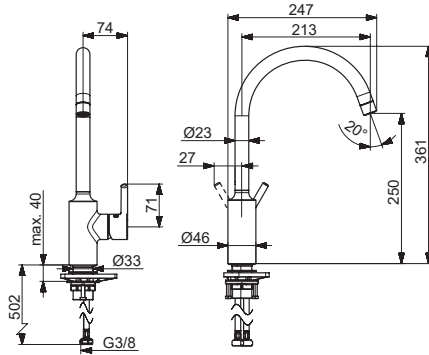
Google Play and the Google Play logo are trademarks of Google Inc.

The Bluetooth® word mark and logos are registered trademarks owned by the Bluetooth SIG, Inc. and any use of such marks by Oras Group is under license. Other trademarks and trade names are those of their respective owners.



5220 2267

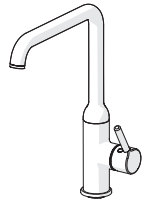
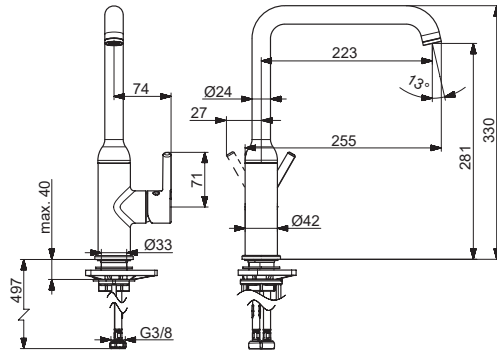
I (ISO 3822)
 EN 817
 50 - 1000 kPa
 0.13 l/s (Eco-flow at 300 kPa)
 0.18 (300 kPa (with flow controller))
 max. +70°C



mpi.hansa.com/52202267

5420 2207

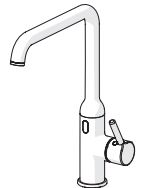
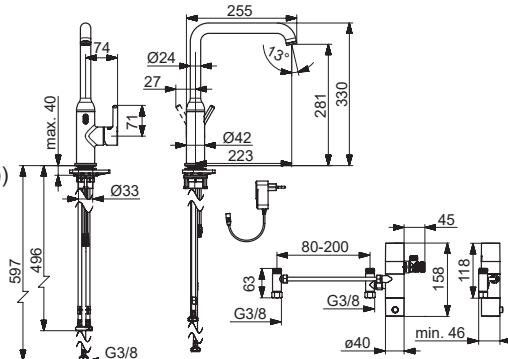
I (ISO 3822)
 EN 817
 50 - 1000 kPa
 0.14 l/s (Eco-flow at 300 kPa)
 0.17 (300 kPa (with flow controller))
 max. +70°C



mpi.hansa.com/54202207

5421 2209

I (ISO 3822)
 EN 817, EN 15091
 50 - 1000 kPa
 0.15 l/s (Eco-flow at 300 kPa)
 0.18 (300 kPa (with flow controller))
 max. +70°C



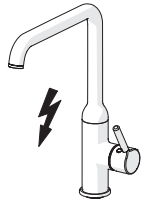
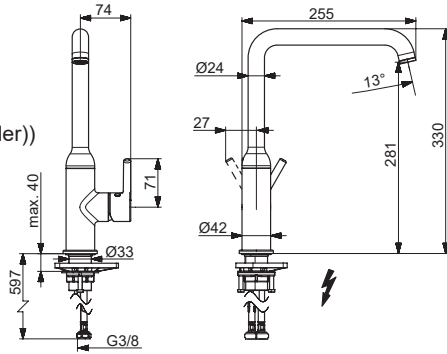
(EMC 2014/53/EU , 2011/65/EU)

mpi.hansa.com/54212209



5422 1107

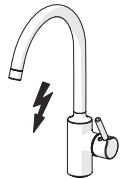
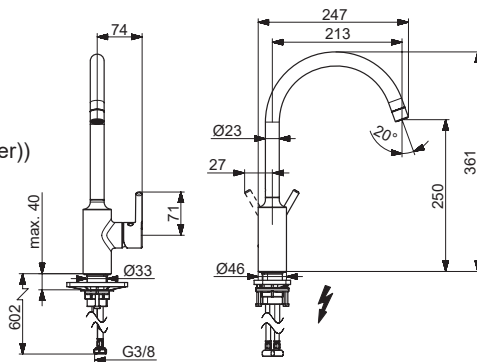
I (ISO 3822)
 EN 817
 50 - 500 kPa
 0.12 l/s (300 kPa (with flow controller))
 max. +70°C



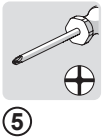
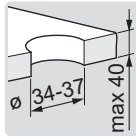
mpi.hansa.com/54221107

5221 1167

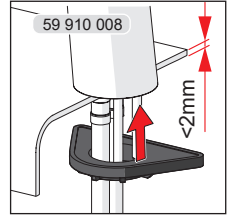
I (ISO 3822)
 EN 817
 50 - 500 kPa
 0.12 l/s (300 kPa (with flow controller))
 max. +70°C



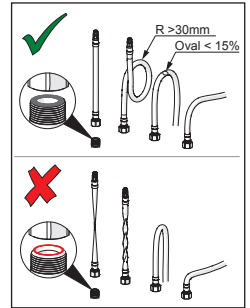
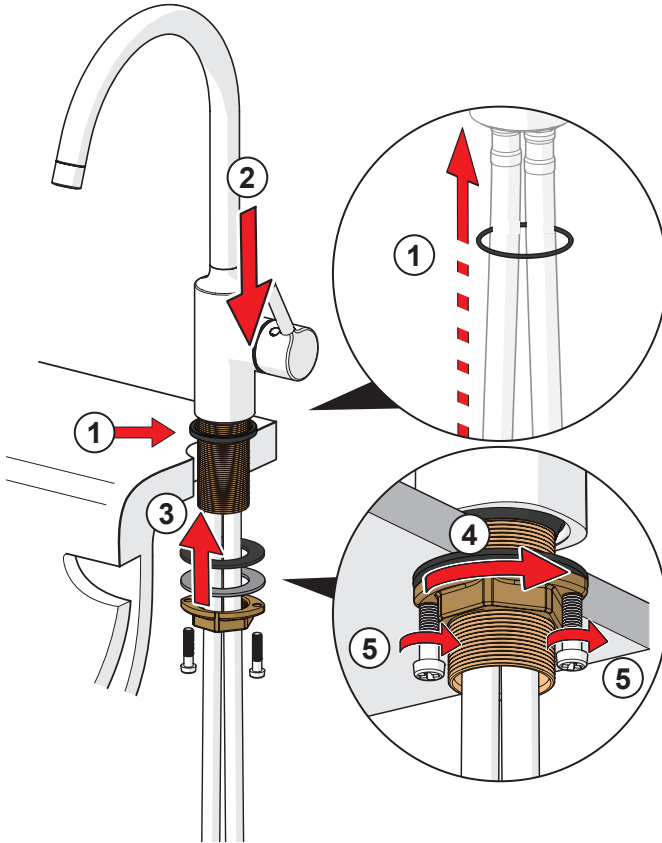
mpi.hansa.com/52211167



max.
1600 kPa



1



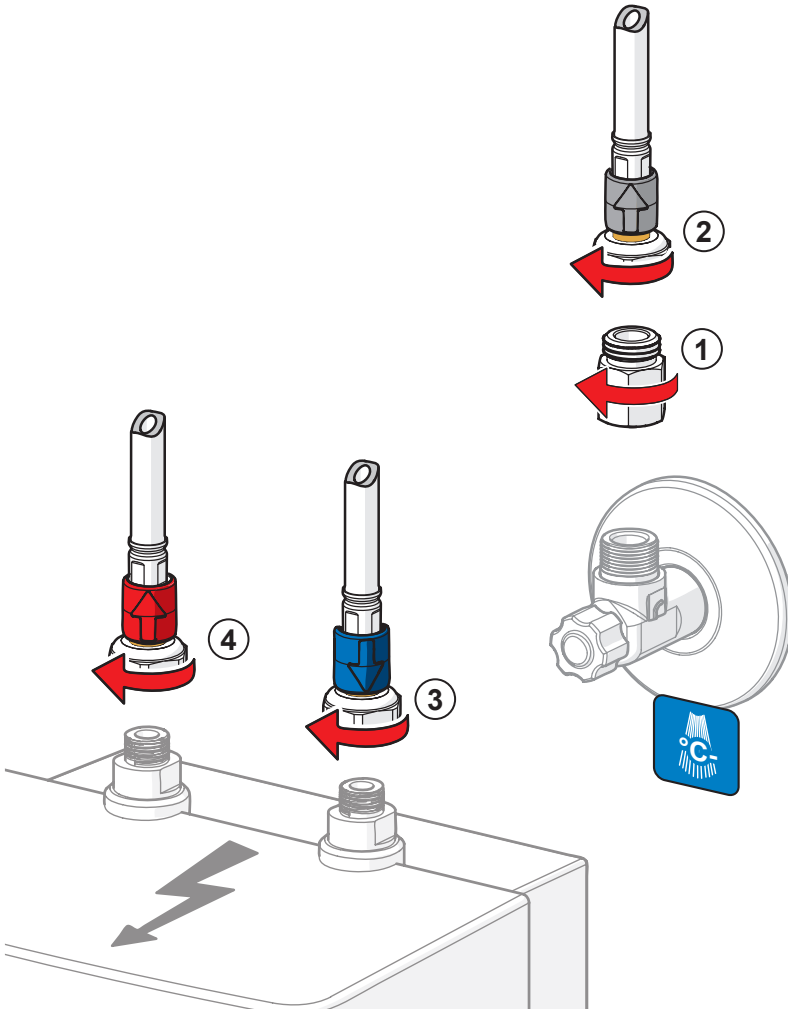


19 
①②③④



2

A

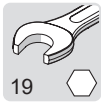




1



3



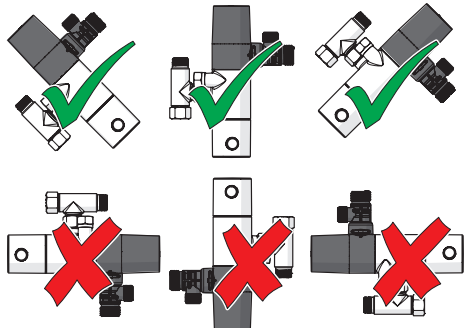
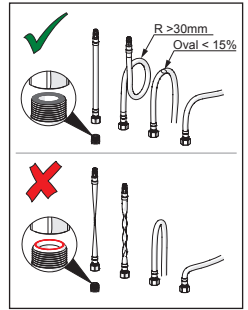
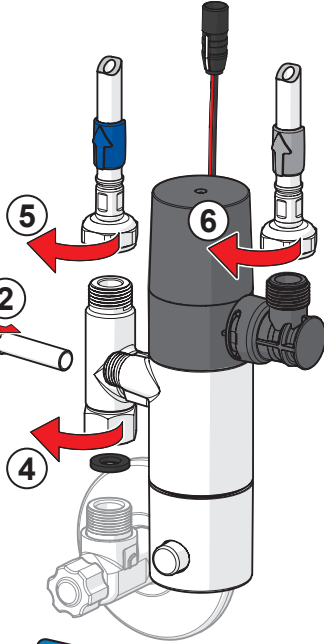
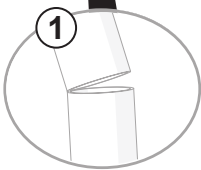
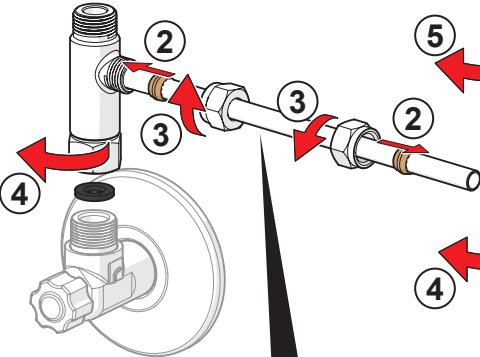
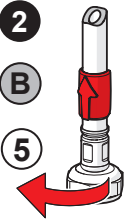
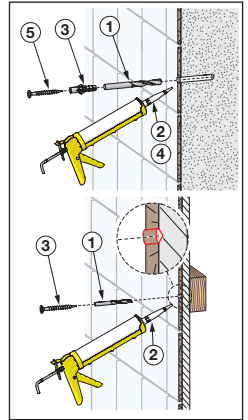
4 5 6



6



max.
1600 kPa

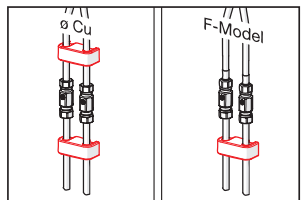
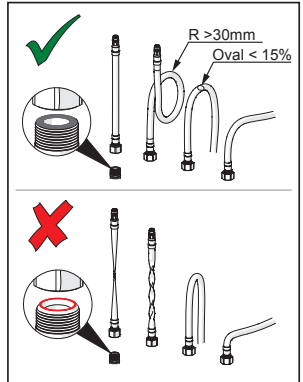
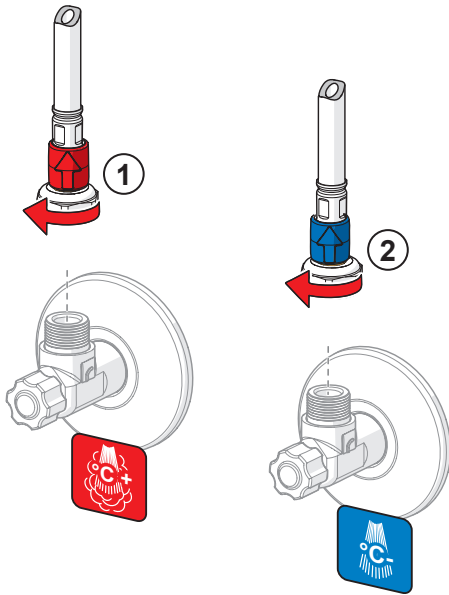




1 2

2

C



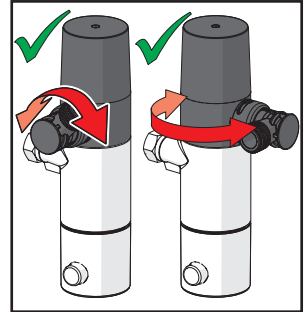
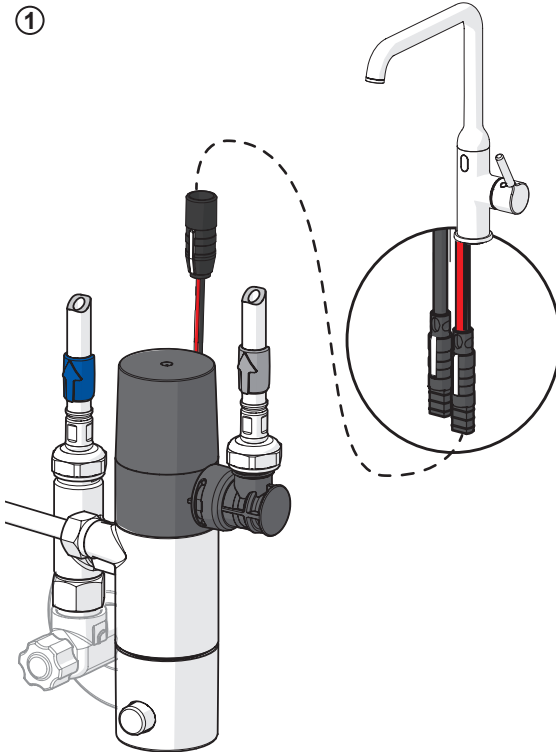


①



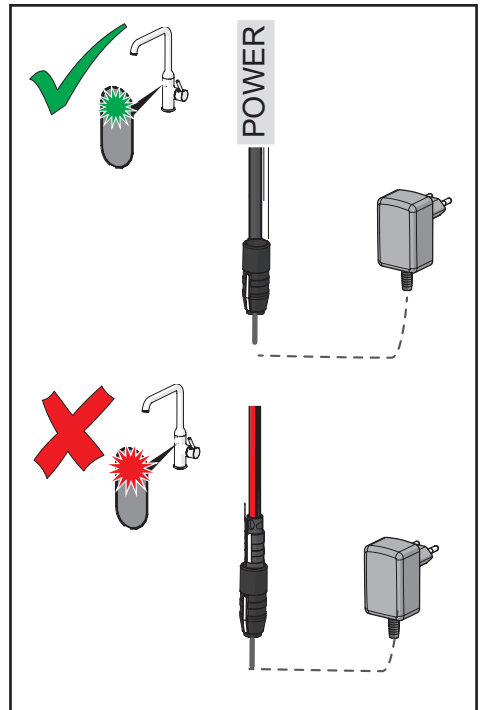
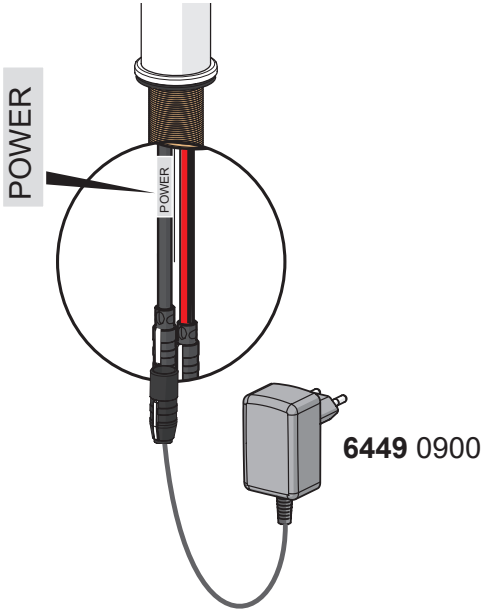
①

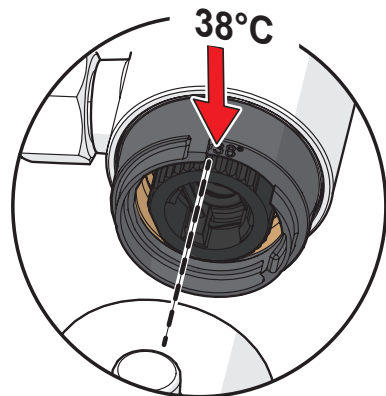
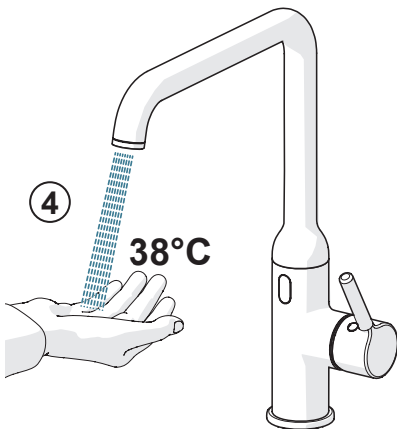
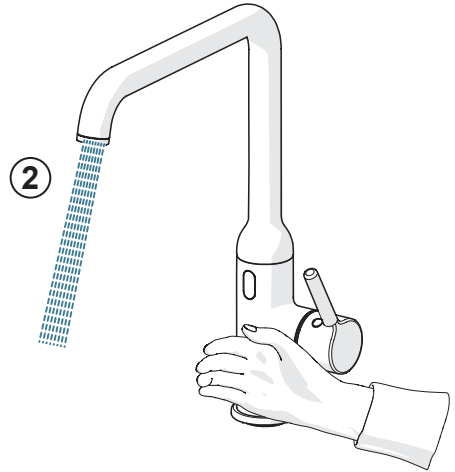
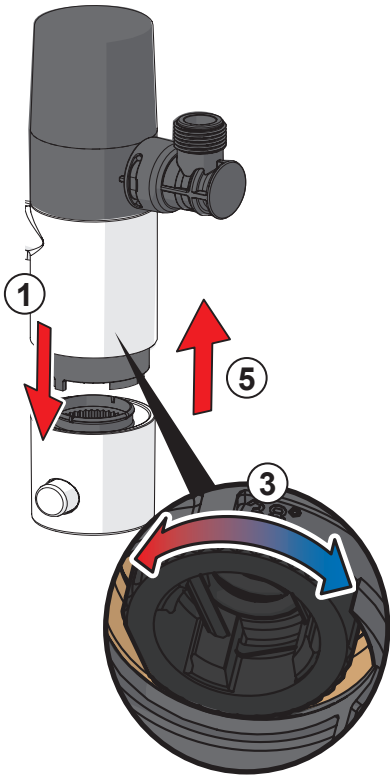
③

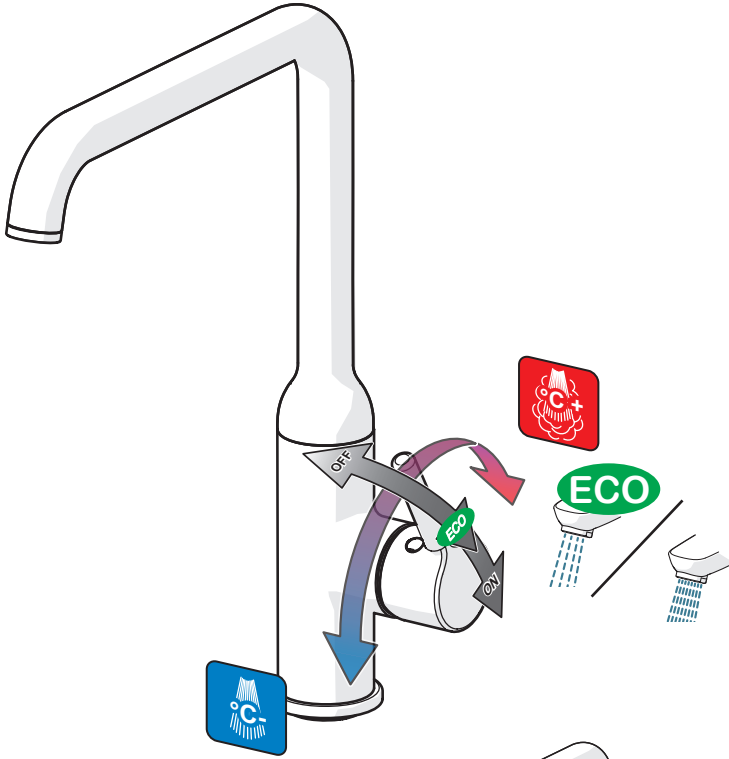




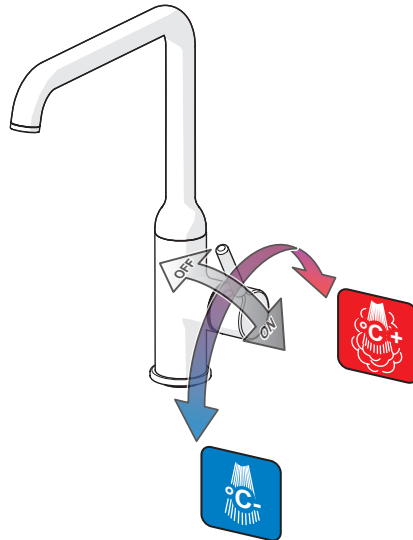
5

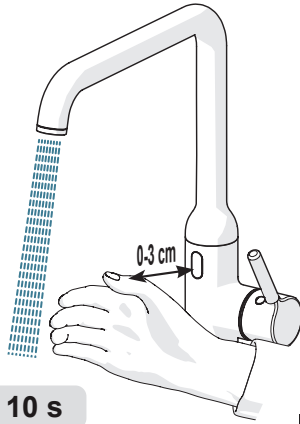




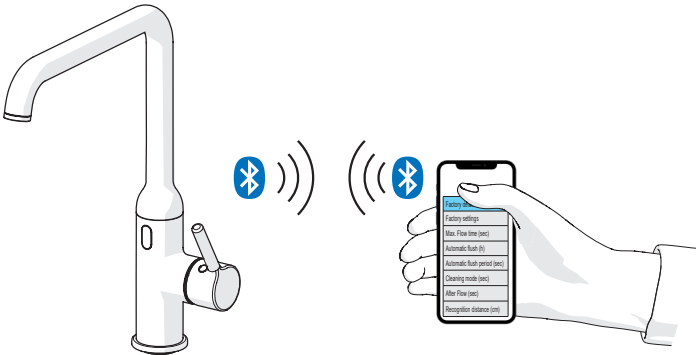


5422 1107
5221 1167





ON 10 s

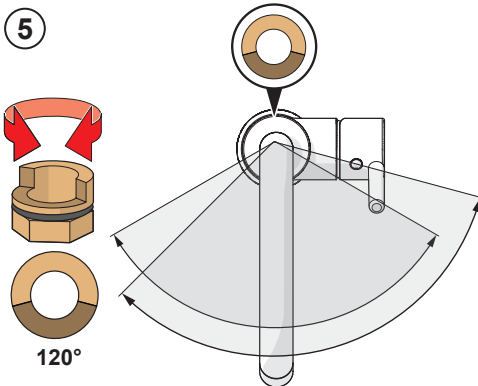
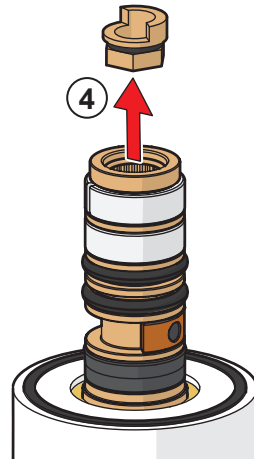
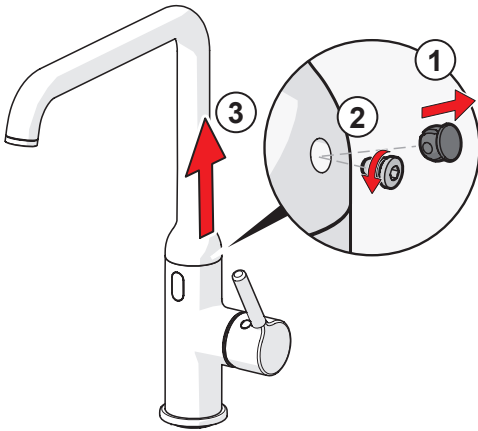
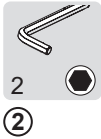
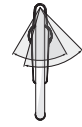


HANSA Connect App

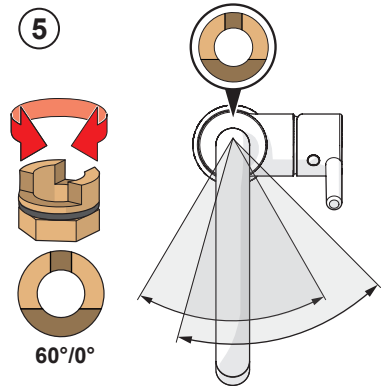


hansa.com/hansa-app

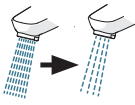




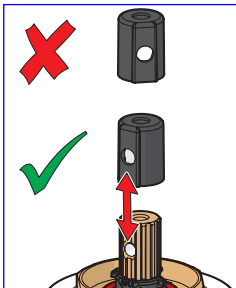
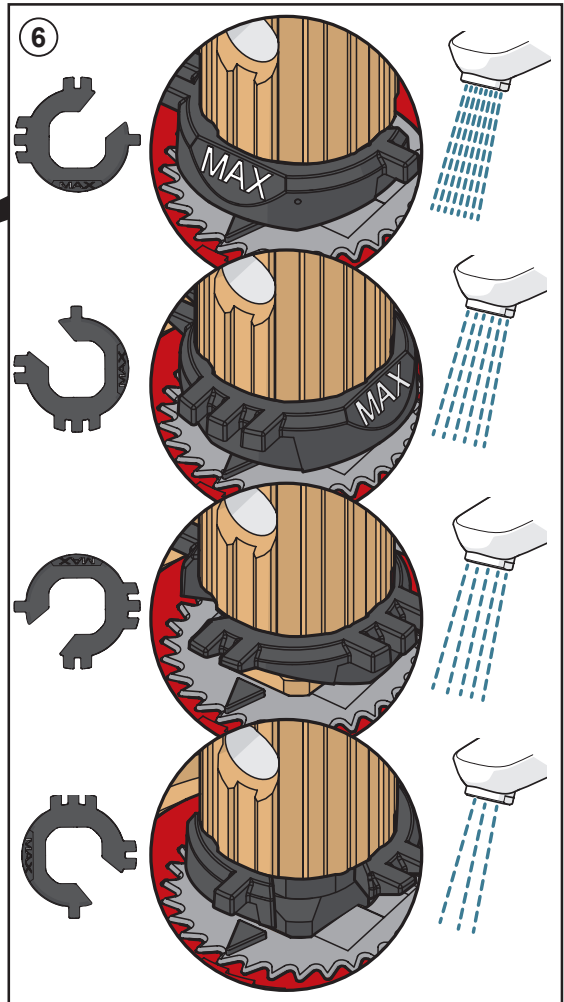
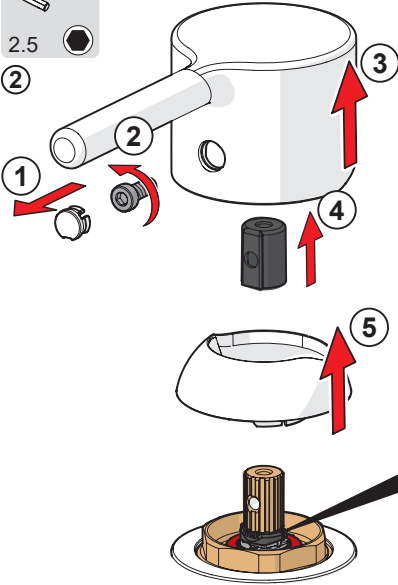
59 914 429

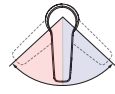


59 914 264



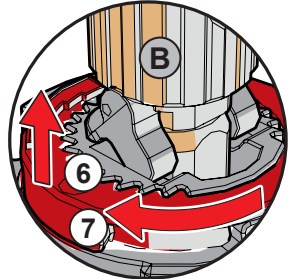
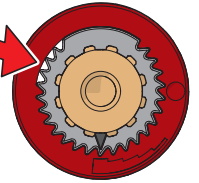
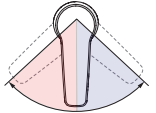
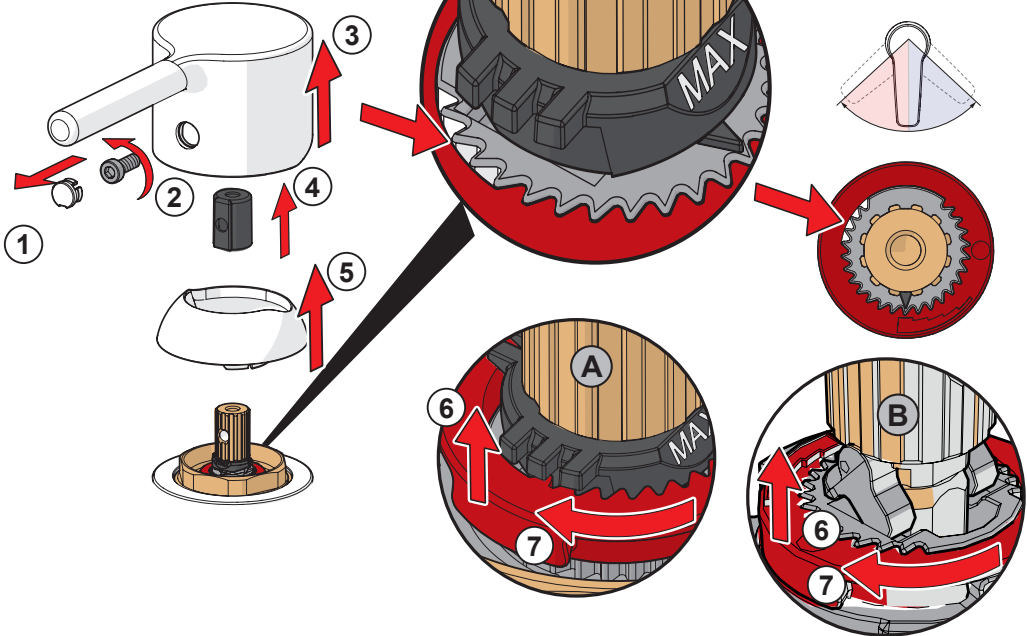
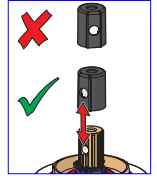
5422 1107
5221 1167



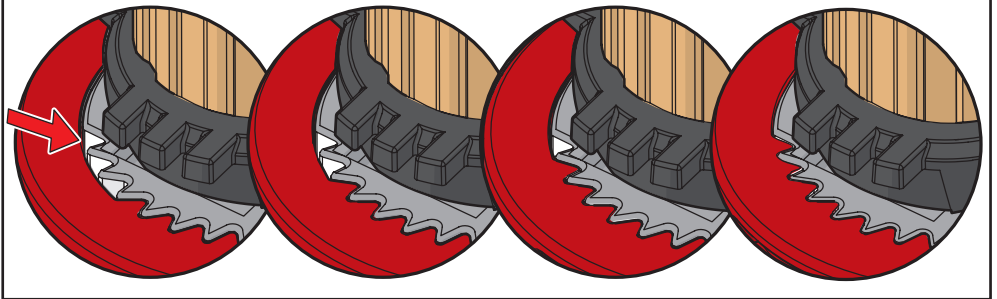
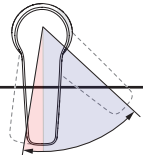
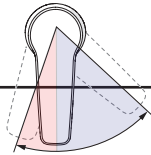
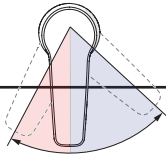
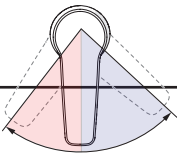


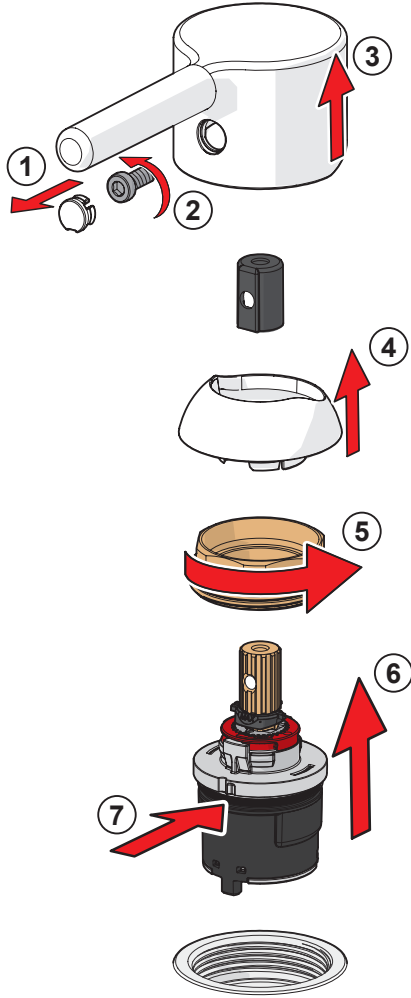
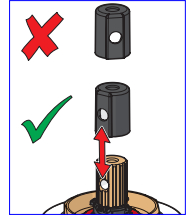
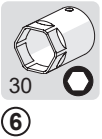
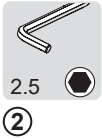
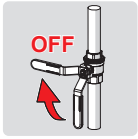
2.5

2



8







① ③



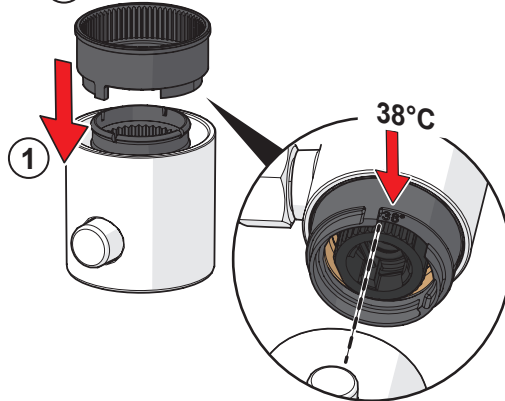
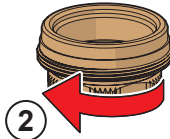
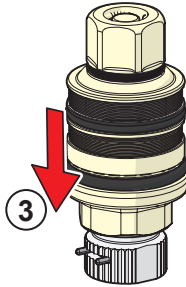
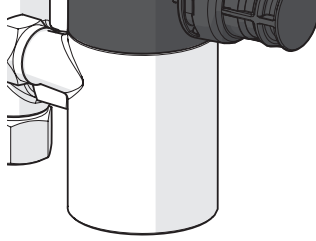
②

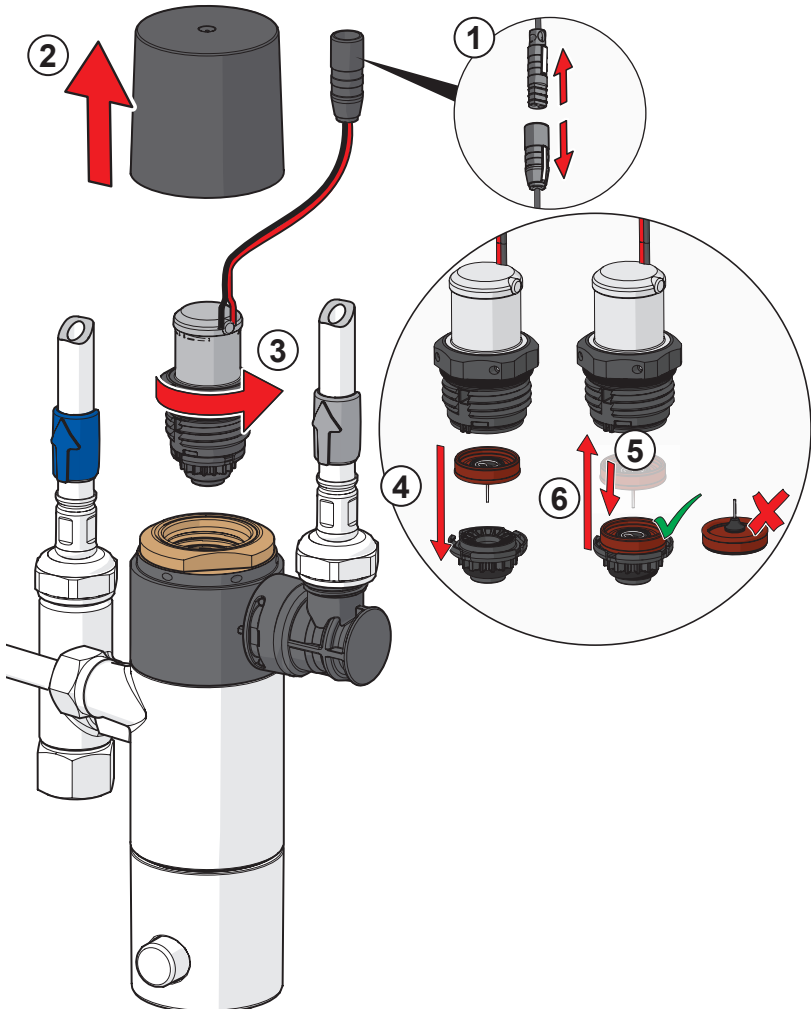
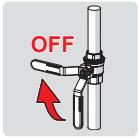


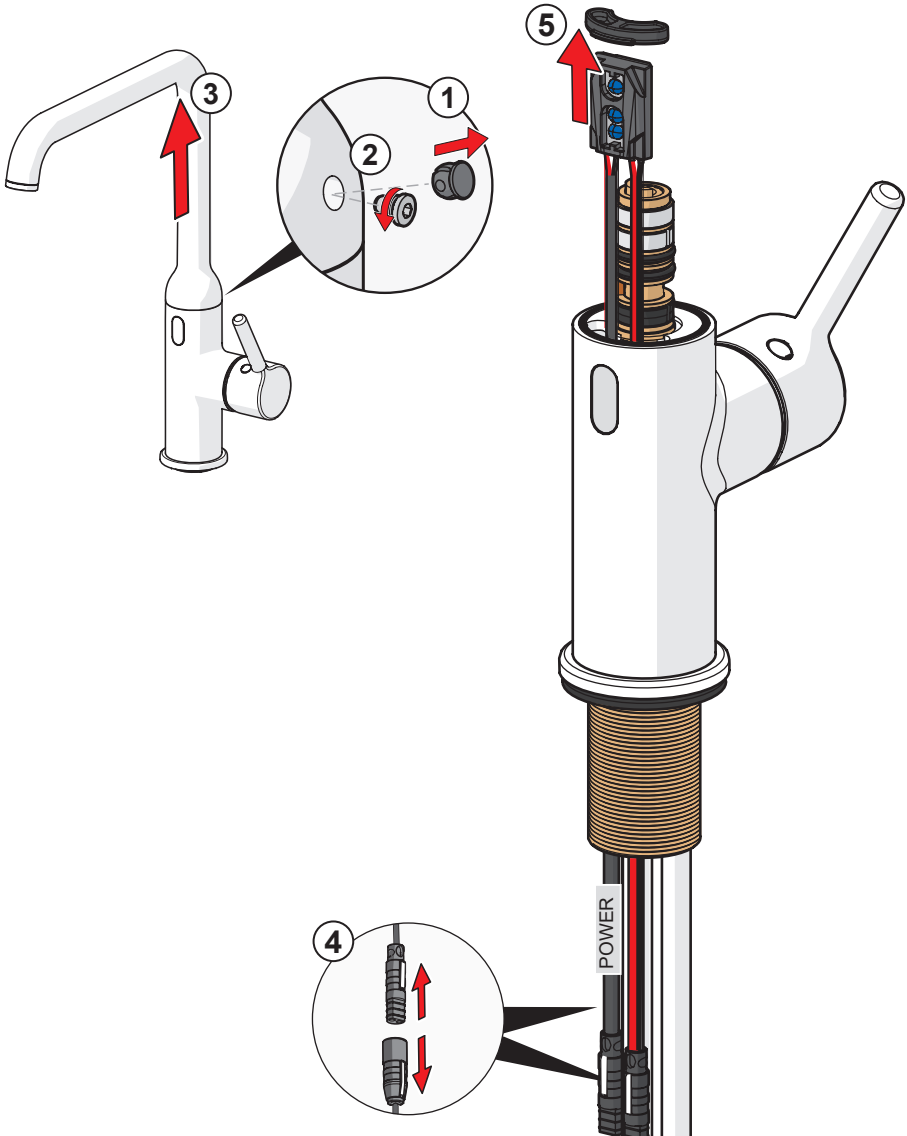
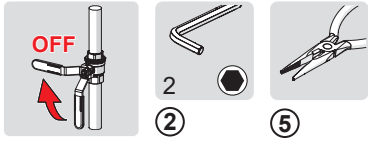
③



③





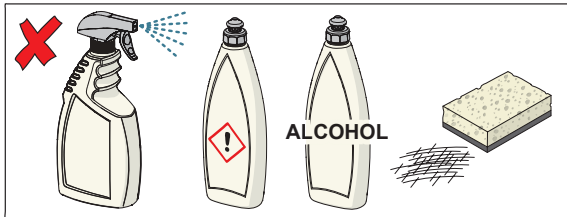
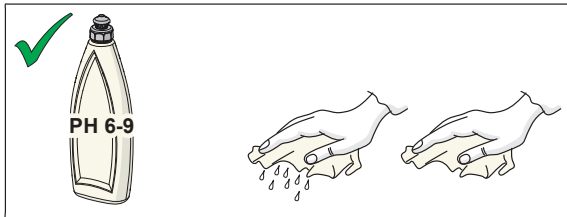
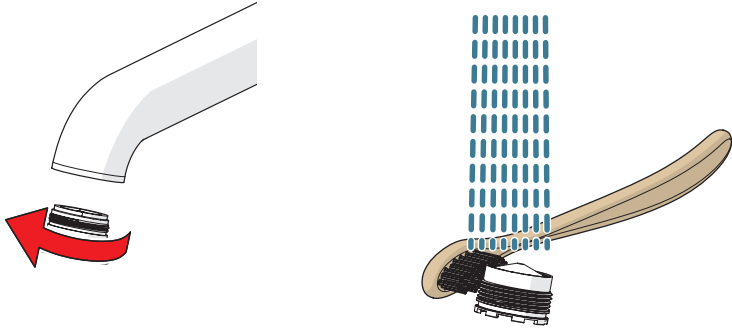




①



②



cleaning.hansa.com

About Oras Group

Oras Group is a significant European provider of sanitary fittings: the market leader in the Nordics and a leading company in Continental Europe.

The company's mission is to create the smartest water experiences for everyone and its vision is to become the Perfect Flow Company.

The Group has two strong brands, Oras and Hansa. Oras Group is owned by Oras Invest, a family company, and an industrial owner.

The domicile of Oras Ltd, the parent company of the Group, is located in Rauma, Finland, and the Group has three manufacturing sites: Kralovice (Czech Republic), Olesno (Poland) and Rauma (Finland).

The Group operates with its own staff in 17 markets. Oras Group's net sales were 233.5 million euros in 2021 and at the end of the period the company employed 1255 people.

HANSA Armaturen GmbH
P. O. BOX 81 02 40
D-70519 Stuttgart
Sigmaringer Strasse 107
D-70567 Stuttgart
Tel.: +49 711 16 14 0
Fax: +49 711 16 14 368
info@hansa.de
www.hansa.com

