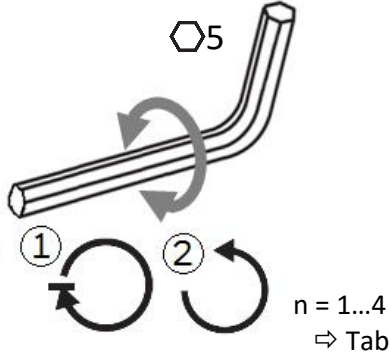
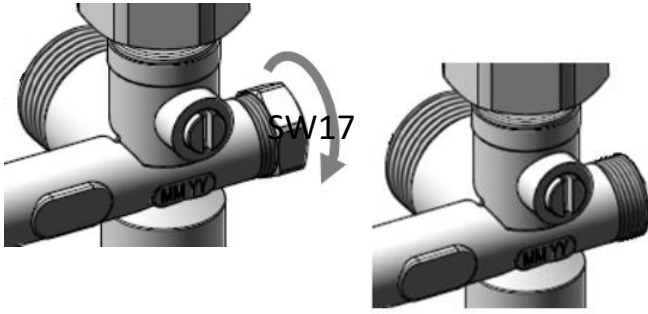


V2464ED / V2473ED / V2474ED



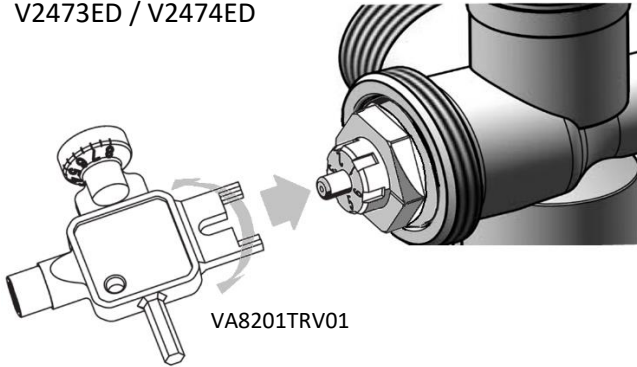
| | | | |
|--|--|--|--|
| <p>2 – 130°C 10 bar</p> | <p>V2464ED 1-pipe / 1-Rohr / Mono-tube</p> | <p>V2473ED/V2474ED 2-pipe / 2-Rohr / Bi-tube</p> | |
| | | | |
| <p>V2464ED: bi-directional</p> | | <p>V2473ED / V2474ED: bi-directional</p> | |
| <p>X: G$\frac{3}{4}$" Euroconus</p> | <p>X: G$\frac{3}{4}$" Flat / Flach / Plat</p> | <p>Y: G$\frac{1}{2}$"</p> | |
| <p>V2464ED / V2474ED</p> | <p>V2464ED / V2474ED</p> | <p>V2464ED / V2474ED</p> | |
| <p>V2473ED</p> | <p>V2473ED</p> | <p>V2473ED</p> | |

V2464ED



| n | kv (2K) | % RAD |
|-----|---------|-------|
| 1 | 1.05 | 60% |
| 1.5 | 1.3 | 45% |
| 2 | 1.55 | 30% |
| 2.5 | 1.8 | 35% |
| 3 | 2 | 30% |
| 3.5 | 2.1 | 27% |
| 4 | 2.2 | 25% |

V2473ED / V2474ED



| n | kv (2K) | kvs |
|---|---------|-------|
| 1 | 0.063 | 0.063 |
| 2 | 0.095 | 0.104 |
| 3 | 0.16 | 0.18 |
| 4 | 0.28 | 0.34 |
| 5 | 0.43 | 0.52 |
| 6 | 0.54 | 0.7 |

homecomfort.resideo.com/TRV

