



Braukmann CBU140

Installation instructions
Monteringsanvisning

Einbauanleitung

Monteringsvejledningen

Instruksjoner for installasjon



Compact Booster Unit - single pump

Einzelpumpen-Sicherheitstrennstation

Trykforøgeranlæg/tilbagestrømningssikring - mediumkategori 5

Kompakt luftgapsenhet - med pumpe

Återstrømningsskydd - enkelpumpe

GB

1	Safety Guidelines	3
2	General information	6
3	Description	7
4	Function	10
5	Shipping	10
6	Assembly	11
7	Start-up	13
8	Operation	15
9	Maintenance	15
10	Troubleshooting	16
11	Shut-down, disassembly, restart	16
12	Storage	17
13	Disposal	17
14	Spare Parts	17
15	Start-up protocol	17
16	Declaration of no objection	18
17	Proof of Maintenance	19

D

1	Sicherheitshinweise	20
2	Allgemeine Informationen	24
3	Bezeichnung	25
4	Funktion	28
5	Shipping	28
6	Montage	29
7	Inbetriebnahme	32
8	Betrieb	33
9	Instandhaltung	33
10	Fehlersuche	34
11	Außerbetriebnahme, Demontage, Wiederinbetriebnahme	35
12	Lagerung	35
13	Entsorgung	35
14	Ersatzteile	35
15	Inbetriebnahmeprotokoll	35
16	Unbedenklichkeits- erklaring	36
17	Proof of Maintenance	37

DA

1	Sikkerhedsanvisning	39
2	Generelle oplysninger	42
3	Beskrivelse	43
4	Funktion	46
5	Forsendelse	46
6	Montering	47
7	Opstart	50
8	Drift	51
9	Vedligeholdelse	51
10	Fejlfinding	52
11	Nedlukning, afmontering, genstart	53
12	Opbevaring	53
13	Bortskaffelse	53
14	Reservedele	53
15	Opstartsprotokol	53
16	Erklaring om ikke- indsigelse	54
17	Vedligeholdelses- dokumentation	55

NO

1	Sikkerhetsregler	57
2	Generell informasjon	60
3	Beskrivelse	61
4	Funksjon	64
5	Forsendelse	64
6	Montering	65
7	Oppstart	67
8	Drift	69
9	Vedlikehold	69
10	Feilsøking	70
11	Driftsstans, demontering, omstart	70
12	Lagring	71
13	Avhending	71
14	Reservedeler	71
15	Oppstartsprotokoll	71
16	Ubetenkelighets- erklaring	72
17	Bevis pa vedlikehold	73

SV

1	Sakerhetsanvisningar	74
2	Allman information	77
3	Beskrivning	78
4	Funktion	81
5	Leverans	81
6	Hopsattning	82
7	Uppstart	84
8	Drift	85
9	Underhall	86
10	Felsøkning	87
11	Nedstangning, demontering, omstart	87
12	Förvaring	87
13	Omhandertagande	88
14	Reservdelar	88
15	Uppstartsprotokoll	88
16	Intyg om att det inte föreligger nagra invandningar	89
17	Underhallsintyg	90

1 Safety Guidelines

1. Follow the installation instructions.
2. Use the appliance
 - according to its intended use
 - in good condition
 - with due regard to safety and risk of danger.
3. Note that the appliance is exclusively for use in the applications detailed in these installation instructions (see 3.1 Technical Data). Any other use will not be considered to comply with requirements and would invalidate the warranty.
4. Please take note that any assembly, commissioning, servicing and adjustment work may only be carried out by authorized persons.
5. Immediately rectify any malfunctions which may influence safety.

1.1 Safety instructions in this manual



DANGER!

Places with this sign signify that death, severe bodily injury or significant property damage will occur if the appropriate precautionary measures are not followed!



WARNING!

Places with this sign signify that death, severe bodily injury or significant property damage may occur if the appropriate precautionary measures are not followed!



CAUTION!

Places with this sign signify that small bodily injury or slight property damage may occur if the appropriate precautionary measures are not followed!



Places with this sign provide technical information and tips on usage that damage to the machine must be avoided. This symbol is not a safety indication.



Places with this sign provide information about possible hazards to the environment



Please notice that a safety symbol never can replace the text of the safety instruction itself - the text of the safety instruction must be read entirely!

1.2 General safety instructions

This manual contains basic instructions which are to be observed in transport, assembly, start-up, operation, maintenance, shut-down, storage and waste disposal.

The following safety instructions have to be observed while operating the compact booster unit:

- When using the compact booster unit, the data, operation and usage conditions specifically authorised in the technical data sheet and the operating manual have to be observed.
- Never exceed the permissible limits pertaining to pressure, temperature, etc. as stated in the documentation.
- Observe all safety instructions as well as the operating instructions of the manual.
- Instructions that are directly attached to the system have to be observed and must be kept completely legible. This applies for example to:
 - Safety instructions
 - Arrow for rotation direction
 - Connection labels
 - Type label
- Before assembly and start-up, the manual has to be read by the operator as well as by the responsible technical/operating personnel and has to be stored at the site of the compact booster unit at all times.
- Installation and maintenance work may only be performed by authorised specialist personnel with the appropriate tools.
- The technical condition of the compact booster unit has to be checked regularly (at least once a year) by the operating company.
- The local safety and accident regulations have to be observed when operating the compact booster unit.
- The general technical rules must be observed when planning the usage and operating the device.
- Modification of the compact booster unit is not permitted and leads to the loss of warranty.
- After an interruption of the electrical or fluid supply, a defined or controlled re-run of the process must be ensured.
- The operator is responsible for complying with local regulations that are not covered by the manual.

1.3 Further safety regulations

In particular, the operator must ensure that

- Accident prevention regulations, safety and operating regulations
- Safety regulations for handling hazardous substances
- Applicable standards and laws

1.4 Unauthorised operation types

The limits that are stated in the documentation have to always be complied with. The delivered system is only guaranteed to operate reliably when it is used as intended.

1.5 Residual dangers in handling the compact booster unit

Danger and adverse effects may result from use of the compact booster unit

- Only electricians may perform work on electrical equipment
- for the compact booster unit itself
- to other property.

The basis for safe and error-free operation of the compact booster unit is knowledge of the instructions for safety and operation in this manual.

1.5.1 Mechanical residual dangers

During normal operation, no danger is threatened from mechanical components.

1.5.2 Residual dangers pertaining to fluids

During normal operation, no danger is threatened from mechanical components.

Danger area	Type of hazard	Reduction of hazard
Pipelines	Injury through high pressure	Clear pipelines of pressure and medium prior to assembly, maintenance, shut-down!

Hazards might result solely under the following conditions.

1.5.3 Residual electrical hazards

During normal operation, no danger results from the electrical equipment of the compact booster unit.

Hazards might result solely under the following conditions.

Danger area	Type of hazard	Reduction of hazard
Injury from cables	Danger to life ! Electric shock of 230/400V from electric voltage	Connect up protective earth system! Always switch off power supply and secure against switching on again during maintenance and servicing work! Comply with the valid accident prevention and safety regulations for electrical devices!
Electrostatically endangered components / subassemblies	The device contains electronic componental elements that react sensitively to electrostatic discharge (ESD). Contact with electrostatically charged persons or objects endangers these componental elements. Worst case scenario: they will be immediately destroyed or fail after start-up.	Comply with requirements according to EN 100 015 - 1, in order to minimise or avoid damage through shock-type electrostatic discharge! Do not touch electronic componental elements when the power supply is on!

1.5.4 Residual biological hazards

During normal operation, no biological danger results from the compact booster unit.

Hazards might result solely under the following conditions.

Danger area	Type of hazard	Reduction of hazard
Buffer tank	Danger of microbial contamination	Clean the buffer tank regularly!

1.5.5 Residual chemical hazards

During normal operation, no chemical danger results from the compact booster unit.

Hazards might result solely under the following conditions.

Danger area	Type of hazard	Reduction of hazard
Use of detergents	Danger through contact with or breathing in dangerous fluids, gases, fumes, vapours or dust	Wear personal safety equipment! Pay attention to the safety specifications sheet of detergent manufacturers!

1.5.6 Consequences and dangers that result from not observing the manual

- Not observing this manual will lead to loss of the warranty and make damage claims invalid.
- Failure to observe the manual can lead, for example, to the following dangers:
 - Hazard to persons caused by electrical, thermal, mechanical, and chemical influences
 - Loss of important product functions
 - Environmental hazard caused by leakage of hazardous substances

1.6 Basic Safety Measures

1.6.1 Keep information available

This manual has to be stored. It has to be ensured that all persons who operate the compact booster unit have access to the manual at all times.

1.6.2 For environmental protection



When operating or servicing the compact booster unit, the regulations concerning waste avoidance and the proper recycling or disposal of waste must be observed.

Particular attention must be paid that materials and agents dangerous to the groundwater such as fats, oils, coolants, solvent-based liquid detergents, etc. do not pollute the ground or access the sewage system. These materials must be caught in suitable tanks, stored, transported and properly disposed of.

1.6.3 Modifications to the compact booster unit

When using externally procured parts, there is no guarantee that these are designed and constructed to tolerate demands made upon them or whether they comply with safety regulations.

For safety reasons, no unauthorised modifications may be made to the compact booster unit.

Parts and special equipment not delivered by Resideo are also not authorised by Resideo for use.

1.7 Duty of due care of the operator

This compact booster unit was designed and constructed according to a risk assessment and after careful selection of the harmonised standards that apply, as well as according to further technical specifications. It thus complies with best practice and guarantees the highest safety standard.

This level of safety can only be attained during operational practice if all required safety measures have been taken. It is the duty of care of the operator of the compact booster unit to plan these measures and enforce their implementation.

In particular, the operator must ensure that

- the compact booster unit is only operated as intended
- the compact booster unit is only operated in perfect working condition.
- the manual has to be kept legible at all times and stored on-site with the compact booster unit.
- the compact booster unit is assembled, commissioned, maintained, and shut down solely by sufficiently qualified and authorised personnel.
- this personnel is regularly instructed on all relevant questions of work safety and environmental protection, and has also read and understood the manual and particularly the safety instructions it contains.
- none of the safety and warning signs attached to the compact booster unit are removed and all remain legible.
- a hazard assessment (according to the Safety at Work Act § 5) is conducted to detect further hazards that may arise from the particular working conditions on-site where the compact booster unit is operated.
- all further information and safety instructions which arise from the hazard assessment process shall be summarised in operating instructions (according to the work equipment regulation § 6).
- the drain output lines are sufficiently dimensioned

1.8 Safety instructions for the operator/operating personnel

- Eliminate hazards caused by electrical energy (for details refer to the country specific regulations and/or local power supply companies).

1.9 Safety instructions for maintenance, inspections and assembly

- Alterations or modifications of the system are only permitted with the consent of the manufacturer.
- Use only original parts or parts authorised by the manufacturer.
- Use of parts other than those authorised may lead to loss of liability for any damage they may cause.
- Perform service on the system only when the machine is off.
- The pump housing has to be at ambient temperature.
- The pump housing has to be depressurised and empty.
- The procedures described in the manual for shutting down the system have to be observed under all circumstances.
- Reinstall safety equipment and protective devices and activate them again immediately after work on the system has been completed. Before starting up again, observe the start-up checklist.
- Keep unauthorised persons (e.g. children) away from the system.

1.10 Requirements for operating personnel

1.10.1 Operating personnel

This compact booster system may only be assembled, started, maintained, and shut down by persons who have been trained, instructed and authorised to do so.

In some cases, training can be arranged by the manufacturer if asked by the operator.

Training or personnel to operate system may only be conducted under the supervision of specialised technicians.

The relevant authorisations of the personnel are to be specified by the operating company in the form of an operating instruction.

Over and above this, special qualifications are required for the following tasks:

- Only electricians may perform work on electrical equipment
- Assembly, maintenance, servicing and repair work may only be performed by qualified, specialist personnel

The basic regulations on work safety and accident prevention are to be observed.

Qualified personnel

Qualified personnel are persons who on account of their training, experience and instruction also their knowledge of the relevant norms, regulations, accident prevention regulations and operating conditions, including those persons responsible for the safety of the system, have been authorised to perform the relevant and required tasks, meanwhile being able to recognise and avoid dangers. This includes required knowledge of First Aid measures and the local ambulance services and facilities.

1.11 Personal safety equipment

No personal safety equipment is required to operate the compact booster unit.

2 General information

The manual is a part of the series and the versions as mentioned on the title page. The manual describes the safe and proper use in all modes of operation.

The type label indicates the series and size, the most important operating data and the order number. The factory number/serial number describes the identifies the system uniquely and serves this purpose for all further business transactions.

In order to maintain the warranty, in the event of damage immediately contact the nearest Resideo service centre.

2.1 Conformity with the following norms

Pump unit: Machinery Directive 2006/42/EG

Pump unit: EMC Directive 2004/108/EG

Frequency inverter: EMC Directive 2004/108/EG

Frequency inverter: Low voltage directive 2006/95/EG

2.2 Warranty and liability

As a matter of principle, the general sales and delivery terms of the Resideo Company apply. Warranty and liability claims for injury to persons and damage to property are ruled out if they arise from one or more of the following causes.

- Non-intended use of the compact booster unit
- Improper assembly, start-up, operation and maintenance of the compact booster unit
- Failure to comply with the instructions in the manual concerning transport, storage, assembly, start-up, operation, maintenance, and service of the compact booster unit
- Unauthorised constructional modifications of the compact booster unit
- Improperly performed repairs
- Catastrophes through effect of a foreign object or force majeure

2.3 Storage and perfect condition

This instruction manual is a part of the compact booster unit and has to be complete and accessible at all times. Any instruction or page that is missing has to be replaced immediately.

2.4 Illustrations

The illustrations used are examples of one possible version of the compact booster unit and might differ in individual cases from the actual compact booster unit version.

2.5 Symbols

1. Start of a task description
2. Next work step
 - Result of an action
- List of several options
- Reference to other documents



DANGER!

Danger source

Consequence of non-compliance

- Avoidance

2.6 Other applicable documents

- Operating manuals, circuit diagram and further documentation of auxiliary equipment and integrated machine parts
- Product data sheet CBU140
- Operating instructions of the operating company
- Data sheets
- Declaration of conformity

2.7 Glossary

EN 1717

European standard that specifies technical regulations for potable water installations.

Noise expectancy values

The expected noise emission, stated here as sound pressure level (SPL) in dB(A).

Certificate of no objection

A certificate of no objection is a declaration that the system has been cleaned properly so that parts that have been in contact with medium are not dangerous for health and environment.

3 Description

Speed controlled compact booster unit with a vertical high-pressure pump as a safety device to separate potable water from category 5 fluids according to EN 1717.

Fully automatic, fully wired Compact Booster Unit with modular design comprising a single pump system and a buffer tank for the hygienic separation of potable water and category 5 fluids according to EN 1717, on a common base frame.

The modular design makes it possible to disconnect modules for installation in buildings with limited space.

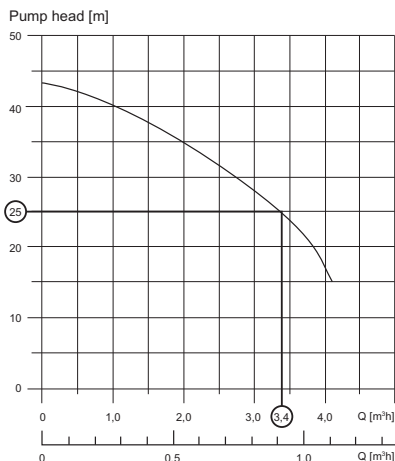
The system is switched on and off regulated by pressure, the flow rate is controlled via frequency inverter..

3.1 Technical Data

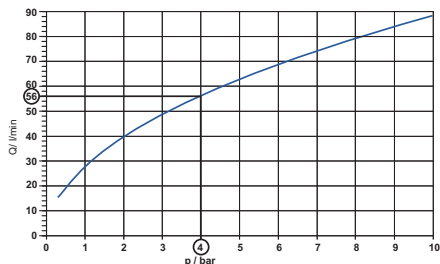
Media	
Medium:	Water Without aggressive, abrasive and solid components
Flow rate:	up to 4 m ³ /h, 1.1 l/s
Pumping head:	up to 43 m
Pressure values	
Switch-on pressure pumps:	2.5 bar
Max. System pressure p _d :	6 bar
Max. inlet pressure:	4 bar
Operating temperatures	
Max. medium temperature:	35 °C
Specifications	
Inlet flow at 4 bar:	< 1 l/s
Supply voltage:	230 V AC ± 10%, 50 Hz
Power consumption in stand-by mode:	2.5 - 3 W
Max. power consumption:	800 W
Drive:	Single-phase, a.c. motor 230V, with built-in circuit protector Direct online starting Thermal class F

Protective class:	IP44
Weight CBU without water:	approx. 22 kg
filled with water:	approx. 35 kg
Weight membrane pressure expansion vessel	
without water:	approx. 2.4 kg
filled with water:	approx. 5 kg

3.2 Pump Output



3.3 Flow characteristics of the inlet valve



Noise expectancy values

Noise levels based on the systems pumping data result in nearly 55 dB(A).

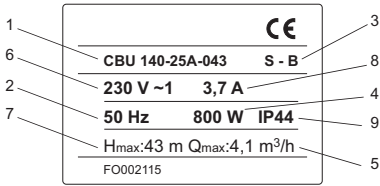
Installation type

Fixed Installation

3.4 Authorised environmental conditions

Ambient temperature	5 °C - 40 °C
Relative air humidity	max. 55 % r.h.

3.5 Type label



1	Series	1	Rated voltage
2	Frequency	2	max. power input
3	Serial number	3	max. pumping head
4	Power output	4	Protection class
5	max. feed rate		

Key for the serial number

Calendar year	2009	2010	2011	2012	2013
1st half-year	S-U	S-W	S-Y	S-A	S-C
2nd half-year	S-V	S-X	S-Z	S-B	S-D

3.6 Version

Plug-in ready compact booster unit, consisting of:

- Self-priming multi-stage centrifugal pump
- Monitoring and control unit for the centrifugal pump
- System control
- Inlet tank with integrated drinking water inlet via mechanical float valve and free outlet according to EN 1717
- fastening set for wall mounting, consisting of screws, wall plugs and mounting bracket
- Flexible expansion joint connection PN10 with DVGW-/TÜV approval and 10-year guarantee for the pressure side as well as the drinking water connection (length approx. 30/50 cm)
- Membrane pressure expansion vessel
- Installation manual with mounting template

3.7 Overview

In an angular tank designed for wall mounting there is a multi-stage high-pressure pump. The high-pressure pump is connected via bent tube to an inlet, which leads to the supply tank.

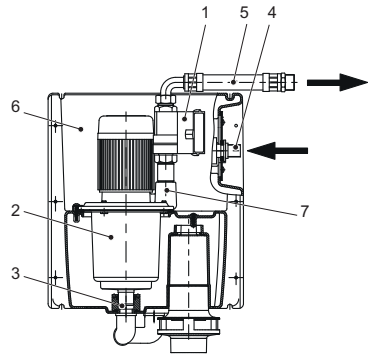


Fig. 1 CBU140 Structure

1	Pump control	5	Pressure delivery
2	Pump	6	Tank
3	Inlet tank	7	Vent valve
4	Drinking water connection		

3.8 Intended use

The compact booster unit may only be operated in such areas as described in the other applicable documents.

Non-intended operation of the compact booster unit can result in danger to persons, systems, the surroundings and the environment.

- Operate the compact booster unit only if it is in perfect working condition.
- Do not operate the compact booster unit if it is only partially assembled.
- The compact booster unit may only be used to pump the medium as described in the documentation of the respective version.
- Never operate the compact booster unit without pump medium.
- Observe the values for minimum pumping rates (avoiding damage because of overheating, storage damage, ...).
- Observe the values for maximum pumping rates (to avoid damage due to overheating, floating ring seal damage, cavitation damage, storage damage, ...).
- Do not throttle the input of the compact booster unit (to avoid cavitation damage).
- Other modes of operations, if not mentioned in the documentation, have to be coordinated with the manufacturer.

3.9 Non-intended use

The compact booster unit is not designed for operation outside. Temperature, light and moisture can lead to malfunctions and damaging devices.

- Do not operate the compact booster unit outside.
- Operate the compact booster unit only as intended.
- Do not fill aggressive or flammable medium into the medium lines of the system.
- No mechanical stress on housings (e.g. by depositing objects or as a step).
- Do not perform any external modifications on the device housing. Do not paint housing parts and screws!
- Do not disassemble the compact booster unit more than is necessary for purposes of installation and maintenance.

3.10 Options

For Options visit homecomfort.resideo.com/europe

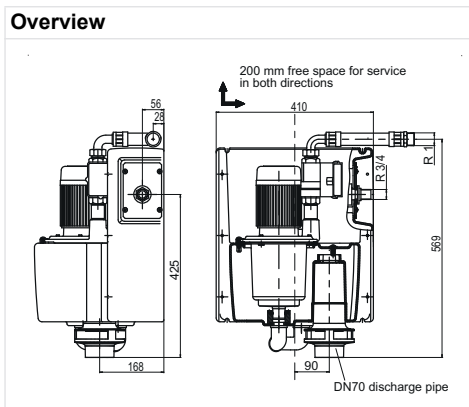
4 Function

The self-priming system draws in the pumping medium from an angular tank via the inlet. In this tank there is a water storage of approx 13 Litre, which is automatically filled and refilled from the drinking water network via inlet float valve.

The pump is controlled via a pressure switch within the controller at the outlet, it maintains the set pressure by switching the pump during a draw off. The factory setting on the pressure switch is 2.5 bar and the pump over runs for 10 seconds during each operation to reduce the number of on/off cycles. The device is protected from dry running, it had a check valve in line to prevent backflow into the pump and a pressure gauge indicates the outlet pressure.

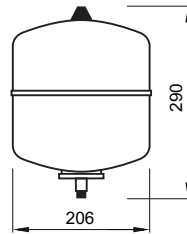
4.1 Construction dimensions CBU

Overview



Membrane pressure expansion vessel

Overview



5 Shipping

5.1 Check condition upon delivery

1. Check the contents of each package for damage upon delivery.
2. In the case of transport damage estimate the extent, document the damage and notify Resideo immediately in writing.

5.2 Transportation



DANGER!

Overturning the system
Danger of being crushed by system!

- ▶ Never get the system tangled in electrical lines.
- ▶ Observe the local safety regulations.
- ▶ Observe the weight and mass centre.
- ▶ Only use appropriate and authorised means of transportation, for example fork lift or hand lift.



WARNING!

Installation on non-level and non-structural installation sites

Personal and property damage!

- ▶ Ensure sufficient compressive strength according to class C12/15 for concrete in the exposition class X0 according to EN 206-1.
- ▶ The installation site has to be solid, level and horizontal.
- ▶ Observe the weight information.



The compact booster unit is attached to wooden rails and wrapped in foil for transport and temporary storage. All connection interfaces have protective lids.

The system is on a small wooden pallet under the telescope box. Accessories are packed in the same box - see the box label. Two carrier handles for transport are in the box.

1. To unpack, cut the packaging straps.
2. Take the accessories and the extra padding out of the box.
3. Lift the box upwards.
 - The system stands alone on the wooden pallet.
4. Check the contents of the package for completeness.
5. Check the system for transport damage.
6. Select the appropriate means of transport.
7. Transporting the system to the installation site.

6 Assembly

6.1 General safety instructions



DANGER!

Danger of injury from electric voltage.

High shock currents and burns from direct and indirect contact with live parts.

Turn off the power supply before assembling the compact booster unit and secure it from being turned on.

- ▶ **Faulty mains connection**
Damage to the electricity network, short circuit!
The electrical system must conform with the installation regulations according to VDE 100 (i.e. grounded electrical sockets).
The electrical network must be equipped with a residual current device for max. 30mA.
- ▶ **Non- or erroneously-connected cables**
Malfunctions, which endanger the safety of operating personnel.
Work on electrical equipment may only be performed by specialist electric technicians.
- ▶ **Improperly connected wiring and lines (e.g. too small bend radius)**
Smouldering and fires from cables.
Work on electrical equipment may only be performed by specialist electric technicians.
- ▶ **Live cable ends and components**
Make sure the protective earth system is connected throughout.



WARNING!

The compact booster unit is not designed for operation outside.
Temperature, light and moisture influences can lead to malfunctions and damage to devices.

- ▶ **Do not use the compact booster unit outside.**
Danger through improper installation
Personal and property damage!
- ▶ **Performance of tasks only by qualified personnel (see section 1.10.1 Operating personnel).**



CAUTION!

Damaged or improperly installed compact booster unit.

Malfunctions

- ▶ Do not damage the compact booster unit and only install it if it is clean and fully functional.
- ▶ Install the compact booster unit according to the described instructions.
- ▶ Install free of voltage and of bending moments.
- ▶ Connecting cable overly bent
Defective system due to improper load on the system
Reduction of service life!
Install connecting cable with zero potential. No load is allowed to be put on either the connections or the system.
- ▶ Drinking water inlet of max. 4bar exceeded
Defective system due to improper load
Install pressure reducing valve ahead of the system to ensure that not more than 4bar prepressure is fed from the drinking water network.

6.2 Installation according to EN1717

Accomodate the compact booster unit in a technical centre or in a frost-free, well ventilated, lockable room that is not used for anything else. Hazardous gases should never enter the installation room. A sufficiently dimensioned dewatering connection (drain connection or similar) is required (observe EN 12056).

Usable volume tank	Dewatering capacity
13 l	5,4 m ³ /h

Table 6: Usable volume/dewatering capacity



Do not operate the compact booster unit near living rooms and bedrooms.

6.3 Inspection before assembly

Check the following points prior to installation:

- According to specifications on the type label, the system is suitable for the electric supply network.
- The medium to be pumped corresponds to the permissible pumping media
- The above-mentioned safety instructions have been observed.
- The installation room is dry, frost-free and well-ventilated.

6.3.1 Installation site



Ideally select an outer wall for mounting.
The wall must be able to take 4 wall plugs Ø 10 mm and carry the weight of the system (approx. 35 kg when filled with water).

6.4 Installing the compact booster unit

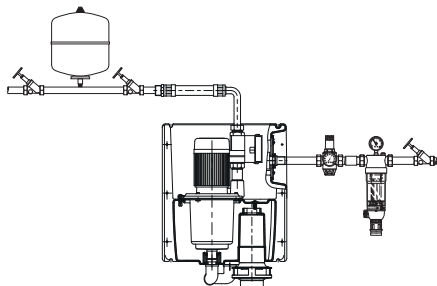
i Make allowance for space for operating and maintenance tasks.

1. Remove the packaging before installing the system.
2. Mark the 4 mounting points using the drilling template included.



3. Drill holes (4 x Ø10 mm).
4. Insert suitable, proper sized dowels.
 - wall plugs included only for mounting in concrete and full brick walls.
5. Mount and adjust both of the lower fixing attachments.
6. Set the system in both of the lower fixing attachments.
7. Mount upper fixing attachments.

6.5 Installing the pipelines



Install connecting cable with zero potential. No load is allowed to be put on either the connections or the system.

Install pressure reducing valve ahead of the system to ensure that not more than 4bar prepressure is fed from the drinking water network.

It is recommended to install a stop valve and an external filter.

6.5.1 Water connection

1. Attach inlet connection R $\frac{3}{4}$ " with flexible pressure hose to the drinking water line.
2. Fill angular tank with water.
3. Open drinking water line.
 - After opening the drinking water line, the tank is automatically filled.

6.5.2 Pressure connection

i Avoid overly bending the flexible connecting pipe, as this reduces the service life and puts an improper load on the connections.

To avoid frequently pump activation for small withdrawal amounts, install membrane pressure expansion vessel downstream of the CBU. A membrane pressure expansion vessel is included in scope of delivery.

It is recommended to install a stop valve.

4. Install membrane pressure expansion vessel in consumption water line. Set pre-pressure to 3.2 - 3.4 bar. For filling use nitrogen only!
5. Connect the system to the consumption water line using the flexible pressure hose

6.6 Connecting the overflow



CAUTION!

Overflow not connected

Danger of flooding the installation room!

- Lead the overflow line to a drain with adequate dewatering capacity (connection DN150).

An overflow for free drain as prescribed by EN 1717 is implemented, and has a nominal width of 70mm for this system. This overflow becomes effective when the drinking water backfeed leaks and the water exceeds the maximal overflow point.



The absence of backwater prevention due to the wastewater system leads to the loss of DVGW-approval! If the systems overflow funnel is missing, the system must be connected to the wastewater system with an overflow siphon found in the accessories. In doing so, it must be ensured that the overflow siphon is not firmly connected to the system and that the installation is performed according to DIN 1986-100, EN 1717.

With a secure connection to the wastewater system, we recommend the installation of a siphon to avoid unpleasant odour.

1. Connect the overflow.

6.7 Electrical connection

6.7.1 Safety instructions



CAUTION!

Danger of injury from electric voltage.

High shock currents and burns from direct and indirect contact with live parts.

- Turn off the power supply before assembling the compact booster unit and secure it from being turned on.

**CAUTION!**

Non- or erroneously-connected cables

Malfunctions, which endanger the safety of operating personnel.

- ▶ Work on electrical equipment may only be performed by specialist electric technicians.
- ▶ Observe regulation IEC 30364 (DIN VDE 0100) and for explosion protection IEC 60079 (DIN VDE 0165).

**CAUTION!**

Faulty mains connection

Damage to the electricity network, short circuit!

- ▶ Observe the conditions for technical connections of the local power supply companies.

**CAUTION!**

Improperly connected wiring and lines (e.g. too small bend radius)

Smouldering and fires from cables.

- ▶ Work on electrical equipment may only be performed by specialist electric technicians.

**CAUTION!**

Live cable ends and components

- ▶ Make sure the protective earth system is connected throughout.



The installation of a motor protection device is recommended.

1. Compare the mains voltage with the specifications on the type label.
2. Insert mains plug in the electrical socket.

6.8 Verification of the waterflow

The water shortage monitor must not be activated at maximal withdrawal.

Should the water shortage monitor nevertheless be activated, then the pressure side must be throttled. For maximum withdrawal and inlet amounts see 3 Description.

7 Start-up



Performance of tasks only by qualified personnel (see section Qualified personnel).

7.1 Safety instructions for start-up

**CAUTION!**

Danger from improper operation.

Malfunctions

- ▶ Before starting, the manual has to be read by the operator as well as by the responsible technical/operating personnel and has to be stored at the site of the compact booster unit at all times.

- ▶ Adhere to local safety and accident regulations when starting the compact booster unit.

**CAUTION!**

Damaged or improperly installed compact booster unit.

Malfunctions

- ▶ Check the compact booster unit for obvious signs of damage; eliminate any defects immediately or alert the supervising personnel. The compact booster unit may only be operated in perfect working order.

Inform yourself sufficiently about

- the equipment of the compact booster unit
- the functionality of the compact booster unit
- the close surroundings of the compact booster unit
- the measures to be taken in an emergency

7.2 Start-up requirements

**CAUTION!**

Dry running pump

Damage to the pump/system!

- ▶ Ensure that there is no water shortage.



The responsible authorities have to be informed before start-up and before testing.

Before start-up of the compact booster unit, the following points have to be ensured:

- The compact booster unit has to be connected to all protective equipment according to the regulations.
- The relevant VDE and country-specific regulations have to be adhered to and fulfilled.
- Connection of the drinking water inlet is connected to the drinking water network.
- The systems electrical connections have been made according to regulations

7.3 Fill up and vent the pump and tank

1. Set the operating mode switch to drinking water inlet for approx. 15 seconds.
 - The system tank is filled automatically.
2. Open the air bleed valve with a screwdriver or a square spanner.
3. Wait until water leaves the air bleed valve.
 - When water leaves the air bleed valve, the system has been vented.
4. Close air bleed valve.
5. Draw off water from the system supplied by the CBU
6. Turn the pump briefly on.

7.4 Switching the system on

The system is automatically turned on, when the mains plug is inserted.

7.5 Function check

The system is set up, installed, connected and started according to specifications.

7.6 Checking the protection against dry running

1. Close the suction-side inlet.
 - The system is continuously monitored for dry running by the pump control. If not enough pump medium is fed into the system (the flow stalls), the pump control shuts down after 10 to 15 seconds. By pressing the Reset-key, the follow-up time can be reactivated.

7.7 Start-up checklist

Work steps		finished
1	Read instructions.	
2	Check the voltage supply and compare with the values on the type label.	
3	Check the mechanical connection to the water supply system. Tighten the flanges and the screws.	
4	Fill and ventilate the compact booster unit from the input side.	
5	Check the refilling.	
6	Check protection against dry running	
7	Check the operating mode	
8	Circumstances regarding the system that are not the same as stated in our documentation or ordering data, have to be noted in the start-up protocol.	
9	Fill out the start-up protocol with the operator and show the operator how the machine functions.	

8 Operation

The pump is turned on automatically during draw off. During no draw off, then the pump shuts down automatically. In case of water shortage, the integrated protection against dry running shuts the pump down automatically. With the Reset-key, the malfunction message can be reset. As long as the Reset-key is pressed, the control unit is in manual operation mode.

9 Maintenance

i In order to comply with EN 806-5, water fixtures must be inspected and serviced on an annual basis. As all maintenance work must be carried out by an installation company, it is recommended that a servicing contract should be taken out.

In accordance with EN 806-5, the following measures must be taken:

Performance of tasks only by qualified personnel (see section 1.11 Requirements for operating personnel).

9.1 Safety instructions for maintenance



DANGER!

Danger of injury from electric voltage.

High shock currents and burns from direct and indirect contact with live parts.

- ▶ Turn off the power supply before maintaining the compact booster unit and secure it from being turned on.



WARNING!

Unqualified persons working on the compact booster unit

Danger of injury!

- ▶ Only let specially qualified personnel perform repair and maintenance work.



CAUTION!

Inappropriately maintained compact booster unit
The proper function of the compact booster unit can no longer be ensured!

- ▶ Maintain the compact booster unit regularly.
 - Always observe the safety regulations and instructions.
 - Observe the instructions for working on the pumps.



In case of damage, please contact our service department.

By setting up a maintenance schedule, the required maintenance to avoid expensive repairs and achieve fault-free and reliable functioning of the compact booster unit is held to a minimum.

9.2 Overview of inspection tasks

Interval	Operation
semi-yearly	Check pump control
	Check protection against dry running
	Check pressure hoses
	Check floating ring seal

9.3 Inspection

i To ensure that the compact booster unit can be operated reliably, the required inspections have to be conducted on time.

9.3.1 Checking the protection against dry running

i Interval: semi-yearly

1. Close off drinking water inlet
2. Draw off to pump the supply tank empty.
 - When the supply tank is empty, the pump control has to shut the pump down within 10 - 15 seconds. A restart occurs only after pressing the Reset-key.

9.3.2 Check pressure hoses

i Interval: semi-yearly

1. Check pressure hoses for leaks and damage to the metal braiding.
 - The hoses are to be replaced in case of leaks or severe damage to the metallic sheath.

9.3.3 Check pump control

i Interval: semi-yearly

1. Draw off water
2. Ensure there is no draw off.
3. The pump must shut down after approx. 10 - 15 seconds after draw is stopped.

Errors	Possible cause	Elimination	by
Pump is running but does not suck	Pump is not full	Fill pump	User
	Tank inlet closed	Open tank inlet	User
Pump turns frequently on and off	Leaky tap	Seal tap	User
Pump is running, feed rate or pressure are not sufficient	Pump draws in air	Suction line check	User
Pump shuts down during operation and indicates malfunction	Power outage or undervoltage	Check power supply	User
	Thermo switch has triggered due to overheating	Check that pump moves freely	Service
	ELCB (earth leakage circuit breaker) has triggered	Have insulating resistance checked by a trained electrician	Service
System does not turn on	Pump control indicates malfunction	Press Reset-key or disconnect mains voltage	User

9.3.4 Check floating ring seal leakage

i Interval: semi-yearly

i Slight wear of the floating ring seal is unavoidable and is accelerated by abrasive particles in the pumping medium.

1. Check for leakage in the area between motor and pump housing.
2. In case of leakage the floating ring seal must be replaced.
 - The replacement should be performed by Resideo technical staff.

9.3.5 Check preload pressure of membrane pressure expansion vessel

i Interval: semi-yearly

1. Remove protection cap.
2. Check preload pressure. If necessary, set to 3.2 - 3.4 bar.

9.4 Maintenance

i Maintenance should be performed by Resideo technical staff.

10 Troubleshooting

i During the warranty period consult the manufacturer before performing maintenance work on the system (only work that is required for start-up and maintenance).
Our customer service department is at your service. Failure to comply will lead to loss of any liability claims.

Errors	Possible cause	Elimination	by
System does not turn off	Foreign particles in pump control	Clean pump control and replace if necessary	Service
System is too loud	Pump lies against the safety screws	Adjust pump by hand, so that the pump is not lying against the screws	User
Tank overflows	Contamination in valve	Eliminate dirt/limescale in valve and replace floater if necessary	Service

10.1 Measures for elimination of pressure surges

10.1.1 Enlargement of the inlet line

According to EN 806-5 for amounts > 0.5l/s a minimal pipe inner diameter of 20mm is to be selected.

10.1.2 Setting pressure reducing valve

If static pressure of 5 bar can be read on the pressure gauge and the pressure drops to 2.5 bar when the valve is opened, then the static pressure must be lowered by 1 bar. Pressure surges occur by pressure differences larger than 2 bar.

10.1.3 Throttle pressure surge

If a stop valve or pressure reducing valve is installed in the drinking water line upstream of the system, then it has to be throttled until the pressure surge disappears. The disadvantage of this method is the small feed amounts. It must be checked, whether the feed amount is sufficient for normal use. The water shortage monitor, however, must not be activated at maximal withdrawal. Should the water shortage monitor nevertheless be activated, then the downstream side must be throttled as well.

10.1.4 Membrane pressure expansion vessel

Install an 8l - membrane pressure expansion vessel in the line ahead of the system inlet. With this container, severe pressure drops from thin lines are diminished and surges are contained without throttling the amount.

11 Shut-down, disassembly, restart

11.1 Shutting down the compact booster unit



CAUTION!

Danger of injury from electric voltage.

High shock currents and burns from direct and indirect contact with live parts.

- ▶ Turn off the power supply before shut down the compact booster unit and secure it from being turned on.
- 1. Disconnect system from the electric power supply and secure against being started.
- 2. Dismantle the system properly.
- 3. Close drinking water inlet and pressure line.
- 4. Rinse the system properly.
- 5. Let system drain.

11.2 Restarting the compact booster unit

Please note the procedures in chapter 7

12 Storage

12.1 Short-term storage

Short-term storage is possible without further preparation under the specified environmental conditions.

12.2 Storage/Preservation



CAUTION!

Damage during storage caused by frost, humidity, dirt, UV radiation or pests

Corrosion/Contamination of the system!

- ▶ Protect the system against frost, do not store outside.



CAUTION!

Damp, dirty or damaged openings and junctions
Danger of leaks and damaging the system!

- ▶ Uncover openings in the system only during installation.

12.3 Storage conditions

Storage location	closed room, dry and dust-free
Ambient temperature	5°C to 40°C (incl. power pack)
Relative air humidity	max. 50% r.h.

13 Disposal

Observe the local requirements regarding correct waste recycling/disposal!

14 Spare Parts

For Spare Parts visit homecomfort.resideo.com/europe

15 Start-up protocol

The following so-called Resideo Compact Booster Unit was commissioned today by the signatories, authorised Resideo customer service staff, and this protocol was written

1. Compact booster unit

Series _____
 Size _____
 Serial number _____
 Order number _____

2. Customer/Operating site

Customer	Operating site
Name _____	_____
Address _____	_____
_____	_____

3. Operating data refer to circuit diagram for additional data

Switch-on pressure	pE bar	_____
Monitoring the precharge pressure Setting value for the precharge pressure switch	pbefore - x	_____
Switch-off pressure	pA bar	_____
Precharge pressure	pbefore bar	_____
Precharge pressure tank	pbefore bar	_____

4. Important notes

According to the DVGW Process Sheet W 314, the company operating the system is obligated to inform the competent water distribution company of the commissioning of the system.

If the system is additionally operated with group III/IV pressure vessels according to the regulation for pressure vessels, then the TÜV has to be informed also.

The operating company or their customer herewith certifies to be fully trained in operation and maintenance of the compact booster unit. The circuit diagrams and instructions were also delivered.

Defects determined during start-up

Defect 1 _____

Scheduled elimination

Name of Resideo customer _____

Name of supplier and contractor _____

City _____

Date _____

16 Declaration of no objection

Type

Order number/Order item number³⁾

Delivery date

Range of Application

Pumped medium³⁾

Make a check mark if applicable³⁾:



radioactive



explosive



corrosive



poisonous



hazardous to health



biohazard



flammable

harmless

Reasons for the return³⁾

Notes:

- The system/the accessories has to be carefully emptied and cleaned on the exterior as well as the interior.
- No special safety precautions are required for further handling.
- The following safety precautions regarding rinsing medium, residual fluids and their disposal are required:

We ensure that the above information is correct and complete and delivery will be made according to statutory requirements.

City, date and signature

Address

Company stamp

17 Proof of Maintenance

**Resideo
74821 Mosbach Germany
Compact booster unit**

According to normative requirements for potable water, this central booster unit requires frequent maintenance conducted by enabled personal, which needs to be documented after completion.
 This compact booster unit is subject to the standards for potable water and guidelines for maintenance therein, and have to be maintained regularly by qualified personnel and the results have to be documented.

Date	Operating company	Name	Signature

1 Sicherheitshinweise

1. Beachten Sie die Einbauanleitung.
2. Benutzen Sie das Gerät
 - bestimmungsgemäß
 - in einwandfreiem Zustand
 - sicherheits- und gefahrenbewusst.
3. Beachten Sie, dass das Gerät ausschließlich für den in dieser Einbauanleitung genannten Verwendungsbereich bestimmt ist (siehe 3.1 Technische Daten). Eine andere oder darüber hinausgehende Benutzung gilt als nicht bestimmungsgemäß.
4. Beachten Sie, dass alle Montage-, Inbetriebnahme, Wartungs- und Justagearbeiten nur durch autorisierte Fachkräfte ausgeführt werden dürfen.
5. Lassen Sie Störungen, welche die Sicherheit beeinträchtigen können, sofort beseitigen.

1.1 Sicherheitshinweise in dieser Anleitung



GEFAHR!

Mit diesem Zeichen gekennzeichnete Stellen weisen darauf hin, dass Tod, schwere Körperverletzung oder erheblicher Sachschaden eintreten wird, wenn die entsprechenden Vorsichtsmaßnahmen nicht beachtet werden!



WARNUNG!

Mit diesem Zeichen gekennzeichnete Stellen weisen darauf hin, dass Tod, schwere Körperverletzung oder erheblicher Sachschaden eintreten kann, wenn die entsprechenden Vorsichtsmaßnahmen nicht beachtet werden!



VORSICHT!

Mit diesem Zeichen gekennzeichnete Stellen weisen darauf hin, dass leichte Körperverletzung oder leichter Sachschaden eintreten kann, wenn die entsprechenden Vorsichtsmaßnahmen nicht beachtet werden!



An Stellen mit diesem Zeichen finden Sie technische Informationen und Anwendungstipps, bei denen Schäden an der Maschine vermieden werden müssen. Dieses Symbol ist kein Sicherheitshinweis.



Orte mit diesem Zeichen informieren über mögliche Gefahren für die Umwelt



Bitte beachten Sie, dass ein Sicherheitssymbol niemals den Text des Sicherheitshinweises selbst ersetzen kann - der Text des Sicherheitshinweises muss vollständig gelesen werden!

1.2 Allgemeine Sicherheitshinweise

Diese Anleitung enthält grundlegende Hinweise, die bei Transport, Montage, Inbetriebnahme, Betrieb, Instandhaltung, Ausserbetriebnahme, Lagerung und Entsorgung zu beachten sind.

Beim Betrieb der Sicherheitstrennstation sind folgende Sicherheitshinweise zu beachten:

- Für den Einsatz der Sicherheitstrennstation sind die im technischen Datenblatt und der Anleitung spezifizierten zulässigen Daten, Betriebs- und Einsatzbedingungen zu beachten.
- Niemals die in der Dokumentation genannten zulässigen Einsatzgrenzen bezüglich Druck, Temperatur, etc. überschreiten.
- Alle Sicherheitshinweise sowie Handlungsanweisungen der vorliegenden Anleitung befolgen.
- Direkt an der Anlage angebrachte Hinweise müssen beachtet und in vollständig lesbarem Zustand gehalten werden. Das gilt beispielsweise für:
 - Sicherheitshinweise
 - Drehrichtungspfeil
 - Kennzeichen für Anschlüsse
 - Typenschild
- Vor Montage und Inbetriebnahme ist die Anleitung vom Bediener sowie vom zuständigen Fachpersonal/Betreiber zu lesen und muss ständig am Einsatzort der Sicherheitstrennstation verfügbar sein.
- Installations- und Instandhaltungsarbeiten dürfen nur von autorisiertem Fachpersonal mit geeignetem Werkzeug ausgeführt werden.
- Der technische Zustand der Sicherheitstrennstation ist in regelmäßigen Zeitabständen (mindestens einmal jährlich) durch den Betreiber zu überprüfen.
- Für den Betrieb der Sicherheitstrennstation sind die örtlichen Sicherheits- und Unfallvorschriften einzuhalten.
- Für die Einsatzplanung und den Betrieb des Gerätes müssen die allgemeinen Regeln der Technik eingehalten werden.
- Eine Veränderung der Sicherheitstrennstation ist nicht zulässig und führt zum Verlust sämtlicher Gewährleistungsansprüche.
- Nach einer Unterbrechung der elektrischen oder fluidischen Versorgung ist ein definierter oder kontrollierter Wiederanlauf des Prozesses zu gewährleisten.
- Für die Einhaltung von in der Anleitung nicht berücksichtigten ortsbezogenen Bestimmungen ist der Betreiber verantwortlich.

1.3 Weitere Sicherheitsbestimmungen

Der Betreiber muss insbesondere sicherstellen, dass....

- Unfallverhütungsvorschriften, Sicherheits- und Betriebsbestimmungen
- Sicherheitsbestimmungen im Umgang mit gefährlichen Stoffen
- Geltende Normen und Gesetze

1.4 Unzulässige Betriebsweisen

Die in der Einbauanleitung angegebenen Grenzwerte müssen grundsätzlich eingehalten werden. Die Betriebssicherheit der gelieferten Anlage ist nur bei bestimmungsgemäßer Verwendung gewährleistet.

1.5.2 Fluidische Restgefahren

Bei normalem Betrieb resultiert von den mechanischen Bauteilen keine Gefahr.

Lediglich unter folgenden Voraussetzungen können Gefahren auftreten.

Gefahrenstelle	Gefährdungsart	Gefährdungsminde rung
Rohrleitungen	Verletzung durch hohen Druck	Rohrleitungen vor Montage, Instandhaltung, Ausserbetriebnahme druck- und mediumfrei machen!

1.5.3 Elektrische Restgefahren

Im normalen Betrieb resultiert aus der elektrischen Ausrüstung der Sicherheitstrennstation keine Gefahr.

Lediglich unter folgenden Voraussetzungen können Gefahren auftreten.

Gefahrenstelle	Gefährdungsart	Gefährdungsminde rung
Verletzung von Kabeln	Lebensgefahr ! Elektroschock 230/400V durch elektrische Spannung	Schutzleitersystem anschließen! Bei Wartungs- und Instandsetzungsarbeiten Spannungsversorgung immer abschalten und gegen Wiedereinschalten sicher! Die geltenden Unfallverhütungs- und Sicherheitsbestimmungen für elektrische Geräte beachten!
Elektrostatisch gefährdete Bauelemente / Baugruppen	Das Gerät enthält elektronische Bauelemente, die gegen elektrostatische Entladung (ESD) empfindlich reagieren. Berührung mit elektrostatisch aufgeladenen Personen oder Gegenständen gefährdet diese Bauelemente. Im schlimmsten Fall werden sie sofort zerstört oder fallen nach der Inbetriebnahme aus.	Anforderungen nach EN 100 015 - 1 beachten, um die Möglichkeit eines Schadens durch schlagartige elektro-statische Entladung zu minimieren bzw. zu vermeiden! Elektronische Bauelemente nicht bei anliegender Versorgungsspannung berühren!

1.5.4 Biologische Restgefahren

Im normalen Betrieb resultiert vom Sicherheitstrennstation keine biologische Gefahr.

Lediglich unter folgenden Voraussetzungen können Gefahren auftreten.

Gefahrenstelle	Gefährdungsart	Gefährdungsminde rung
Vorratsbehälter	Gefahr durch Verkeimung	Vorratsbehälter regelmäßig reinigen!

1.5 Restgefahren im Umgang mit der Sicherheitstrennstation

Bei der Verwendung der Sicherheitstrennstation können Gefahren und Beeinträchtigungen entstehen

- Für Arbeiten an elektrischen Betriebsmitteln darf nur Elektro-fachpersonal eingesetzt werden
- für die Sicherheitstrennstation selbst
- an anderen Sachwerten.

Grundlage für den sicherheitsgerechten Umgang und den störungsfreien Betrieb dieser Sicherheitstrennstation ist die Kenntnis der Sicherheits- und Benutzerhinweise in dieser Anleitung.

1.5.1 Mechanische Restgefahren

Bei normalem Betrieb resultiert von den mechanischen Bauteilen keine Gefahr.

1.5.5 Chemische Restgefahren

Im normalen Betrieb resultiert vom Sicherheitstrennstation keine chemische Gefahr. Lediglich unter folgenden Voraussetzungen können Gefahren auftreten.

Gefahrenstelle	Gefährdungsart	Gefährdungsminde rung
Verwendung von Reinigungsmitteln	Gefahr durch Kontakt mit oder Einatmung von gefährlichen Flüssigkeiten, Gasen, Nebeln, Dämpfen oder Stäuben	Persönliche Schutzausrüstung tragen! Sicherheitsdatenblatt vom Reinigungsmittelhersteller beachten!

1.5.6 Folgen und Gefahren bei

Nichtbeachtung der Anleitung

- Die Nichtbeachtung dieser Anleitung führt zum Verlust der Gewährleistungs- und Schadensersatzansprüche.
- Die Nichtbeachtung kann beispielsweise folgende Gefährdungen nach sich ziehen:
 - Gefährdung von Personen durch elektrische, thermische, mechanische und chemische Einwirkungen
 - Versagen wichtiger Funktionen des Produkts
 - Gefährdung der Umwelt durch Leckage von gefährlichen Stoffen

1.6 Grundlegende

Sicherheitsmaßnahmen

1.6.1 Informationen verfügbar halten

Diese Anleitung ist aufzubewahren. Es muss gewährleistet sein, dass alle Personen, die Tätigkeiten an der Sicherheitstrennstation ausführen, die Anleitung jederzeit einsehen können.

1.6.2 Für den Umweltschutz



Bei allen Arbeiten an und mit der Sicherheitstrennstation sind die Vorschriften zur Abfallvermeidung und zur ordnungsgemäßen Abfallverwertung- bzw. beseitigung einzuhalten. Insbesondere ist darauf zu achten, dass Grundwasser gefährdende Stoffe - wie Fette, Öle, Kühlmittel, lösungsmittelhaltige Reinigungsflüssigkeiten u. ä. - nicht den Boden belasten oder in die Kanalisation gelangen. Diese Stoffe müssen in geeigneten Behältern aufgefangen, aufbewahrt, transportiert und entsorgt werden.

1.6.3 Veränderungen an der Sicherheitstrennstation

Bei fremdbezogenen Teilen ist nicht gewährleistet, dass diese beanspruchungs- und sicherheitsgerecht konstruiert und gefertigt sind.

An der Sicherheitstrennstation dürfen aus Sicherheitsgründen keine eigenmächtigen Veränderungen vorgenommen werden.

Teile und Sonderausstattungen, die nicht von Resideo geliefert wurden, sind auch nicht von Resideo zur Verwendung freigegeben.

MU1H-1377GE23 R0320

1.7 Verpflichtung des Betreibers

Diese Sicherheitstrennstation wurde unter Berücksichtigung einer Risikobeurteilung und nach sorgfältiger Auswahl der einzuhaltenden harmonisierten Normen, sowie weiterer technischer Spezifikationen konstruiert und gebaut. Sie entspricht damit dem Stand der Technik und gewährleistet ein Höchstmaß an Sicherheit.

Diese Sicherheit kann in der betrieblichen Praxis jedoch nur dann erreicht werden, wenn alle dafür erforderlichen Maßnahmen getroffen werden. Es unterliegt der Sorgfaltspflicht des Betreibers der Sicherheitstrennstation, diese Maßnahmen zu planen und ihre Ausführung zu kontrollieren.

Der Betreiber muss insbesondere sicherstellen, dass....

- die Sicherheitstrennstation nur bestimmungsgemäß verwendet wird
- die Sicherheitstrennstation nur in einwandfreiem, funktionstüchtigem Zustand betrieben wird.
- die Anleitung stets in einem leserlichen Zustand und vollständig am Einsatzort der Sicherheitstrennstation zur Verfügung steht.
- nur ausreichend qualifiziertes und autorisiertes Personal die Sicherheitstrennstation montiert, in Betrieb nimmt, instand hält und ausser Betrieb nimmt.
- dieses Personal regelmäßig in allen zutreffenden Fragen von Arbeitssicherheit und Umweltschutz unterwiesen wird, sowie die Anleitung und insbesondere die darin enthaltenen Sicherheitshinweise gelesen und verstanden hat.
- keine an der Sicherheitstrennstation angebrachten Sicherheits- und Warnhinweise entfernt werden und alle leserlich bleiben.
- in einer Gefährdungsbeurteilung (im Sinne des Arbeitsschutzgesetzes § 5) die weiteren Gefahren ermittelt werden, die sich durch die speziellen Arbeitsbedingungen am Einsatzort der Sicherheitstrennstation ergeben.
- in einer Betriebsanweisung (im Sinne der Arbeitsmittelbenutzungsverordnung § 6) alle weiteren Anweisungen und Sicherheitshinweise zusammengefasst werden, die sich aus der Gefährdungsbeurteilung ergeben haben.
- die Kanalabführung ausreichend bemessen ist

1.8 Sicherheitshinweise für den Betreiber/Bedienpersonal

- Gefährdung durch elektrische Energie ausschließen (Einzelheiten hierzu siehe landesspezifische Vorschriften und/oder örtliche Energieversorgungsunternehmen).

1.9 Sicherheitshinweise für Wartungs-, Inspektions- und Montagearbeiten

- Umbauarbeiten oder Veränderungen der Anlage sind nur nach Zustimmung des Herstellers zulässig.
- Ausschließlich Originalteile oder vom Hersteller genehmigte Teile verwenden.
- Die Verwendung anderer Teile kann die Haftung für die daraus entstehenden Folgen aufheben.
- Arbeiten an der Anlage nur im Stillstand ausführen.
- Das Pumpengehäuse muss Umgebungstemperatur angenommen haben.
- Das Pumpengehäuse muss drucklos und entleert sein.
- Die in der Anleitung beschriebene Vorgehensweise zur Außerbetriebnahme der Anlage unbedingt einhalten.
- Sicherheits- und Schutzeinrichtungen unmittelbar nach Abschluss der Arbeiten wieder anbringen bzw. in Funktion setzen. Vor Wiederinbetriebnahme die aufgeführten Punkte für die Inbetriebnahme beachten.
- Unbefugte Personen (z. B. Kinder) von der Anlage fernhalten.

1.10 Anforderungen an das ausführende Personal

1.10.1 Bedienpersonen

Diese Sicherheitstrennstation darf nur von Personen montiert, in Betrieb genommen, instand gehalten und ausser Betrieb genommen werden, die dafür ausgebildet, eingewiesen und befugt sind.

Gegebenenfalls kann die Schulung durch Beauftragung des Herstellers/Lieferanten durch den Betreiber erfolgen.

Schulungen an der Anlage dürfen nur unter Aufsicht von technischem Fachpersonal durchgeführt werden.

Die jeweiligen Befugnisse des Personals sind vom Betreiber in Form einer Betriebsanweisung klar festzulegen.

Darüber hinaus sind für folgende Tätigkeiten besondere Qualifikationen erforderlich:

- Für Arbeiten an elektrischen Betriebsmitteln darf nur Elektro-fachpersonal eingesetzt werden
- Montage-, Wartungs-, Instandhaltungs- und Reparaturarbeiten dürfen nur von qualifiziertem Fachpersonal ausgeführt werden

Die grundlegenden Vorschriften über Arbeitssicherheit und Unfallverhütung sind zu beachten.

Qualifiziertes Personal

Qualifiziertes Fachpersonal sind Personen, die auf Grund ihrer Ausbildung, Erfahrung und Unterweisung sowie ihrer Kenntnisse über einschlägige Normen, Bestimmungen, Unfallverhütungsvorschriften und Betriebsverhältnisse, von dem für die Sicherheit der Anlage Verantwortlichen berechtigt worden sind, die jeweils erforderlichen Tätigkeiten auszuführen und dabei mögliche Gefahren erkennen und vermeiden können. Unter anderem sind Kenntnisse über Erste-Hilfe-Maßnahmen und die örtlichen Rettungseinrichtungen erforderlich.

1.11 Persönliche Schutzausrüstung

Für den Betrieb der Sicherheitstrennstation sind keine persönlichen Schutzausrüstungen notwendig.

2 Allgemeine Informationen

Die Einbauanleitung ist Teil der im Deckblatt genannten Baureihen und Ausführungen. Die Einbauanleitung beschreibt den sachgemäßen und sicheren Einsatz in allen Betriebsphasen.

Das Typenschild nennt die Baureihe und -größe, die wichtigsten Betriebsdaten und die Auftragsnummer. Die Werknummer/Seriennummer beschreibt die Anlage eindeutig und dient zur Identifizierung bei allen weiteren Geschäftsvorgängen.

Zwecks Aufrechterhaltung der Gewährleistungsansprüche im Schadensfall ist unverzüglich die nächst gelegene Resideo Serviceeinrichtung zu benachrichtigen.

2.1 Conformity with the following norms

Pumpenaggregat: Maschinenrichtlinie 2006/42/EG

Pumpenaggregat: EMV-Richtlinie 2004/108/EG

Frequenzumrichter: EMV-Richtlinie 2004/108/EG

Frequenzumrichter: Niederspannungsrichtlinie 2006/95/EG

2.2 Gewährleistung und Haftung

Grundsätzlich gelten die Allgemeinen Verkaufs- und Lieferbedingungen der Firma Resideo. Gewährleistungs- und Haftungsansprüche bei Personen- und Sachschäden sind ausgeschlossen, wenn sie auf eine oder mehrere der folgenden Ursachen zurückzuführen sind.

- Nicht bestimmungsgemäße Verwendung der Sicherheitstrennstation
- Unsachgemäßes Montieren, Inbetriebnehmen, Bedienen und Warten der Sicherheitstrennstation
- Nichtbeachten der Hinweise in der Anleitung bezüglich Transport, Lagerung, Montage, Inbetriebnahme, Betrieb, Wartung und Instandhaltung der Sicherheitstrennstation
- Eigenmächtige bauliche Veränderungen an der Sicherheitstrennstation
- Unsachgemäß durchgeführte Reparaturen

- Katastrophenfälle durch Fremdkörpereinwirkung und höhere Gewalt

2.3 Storage and perfect condition

Diese Anleitung ist ein Bestandteil der Sicherheitstrennstation und muss jederzeit vollständig zur Verfügung stehen. Eine fehlende Anleitung oder fehlende Seiten müssen umgehend ersetzt werden.

2.4 Illustrations

Die verwendeten Abbildungen sind Beispiele einer möglichen Sicherheitstrennstationausführung und können im Einzelfall von der tatsächlichen Ausführung abweichen.

2.5 Symbols

1. Beginn einer Tätigkeitsbeschreibung
 2. Nächster Arbeitsschritt
 - Resultat einer Handlung
- Auflistung mehrerer Möglichkeiten
 - Verweis auf andere Dokumente



GEFAHR!

Gefahrenquelle
Folge bei Nichtbeachtung

- ▶ Vermeidung

2.6 mitgeltende Dokumente

- Betriebsanleitungen, Stromlaufplan und weitere Dokumentation zum Zubehör und integrierten Maschinenteilen
- Produktdatenblatt CBU140
- Betriebsanweisungen des Betreibers
- Maßblätter
- Konformitätserklärung

2.7 Glossar

EN 1717

Europäische Norm, die technische Regeln für Trinkwasserinstallationen festlegt.

Zu erwartende Lärm-Werte

Die zu erwartende Geräuschemission, angegeben als Schalldruckpegel LPA in dB(A).

Unbedenklichkeitsbescheinigung

Eine Unbedenklichkeitsbescheinigung ist eine Erklärung, dass die Anlage ordnungsgemäß gereinigt wurde, so dass von mediumsberührten Teilen keine Gefahr für Umwelt und Gesundheit mehr ausgeht.

3 Bezeichnung

Kompakte Sicherheitstrennstation zur Absicherung der Flüssigkeitskategorie 5 nach DIN EN 1717 i.V.m. DIN 1988-100, mit Frequenzumrichter gesteuerter, vertikaler Hochdruckpumpe.

Vollautomatische, anschlussfertige Sicherheitstrennstation in modularer Bauweise, bestehend aus einer Einzelpumpenanlage und einem Vorratsbehälter für die hygienische Trennung von Trinkwasser und Flüssigkeiten der Kategorie 5 nach DIN EN 1717, auf gemeinsamen Grundrahmen.

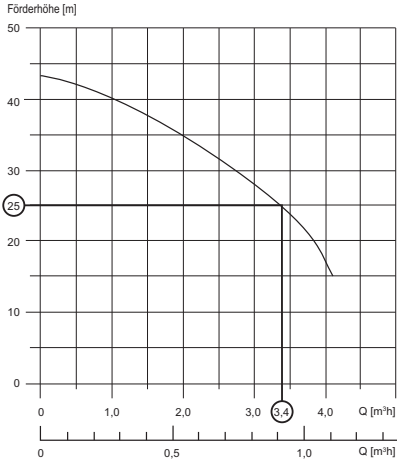
Die modulare Bauweise ermöglicht eine Abtrennung der Baugruppe für die Installation in Gebäuden mit eingeschränkten Platzverhältnissen.

Die Anlage wird druckabhängig ein- und ausgeschaltet, die Durchflussrate wird über Frequenzumrichter gesteuert.

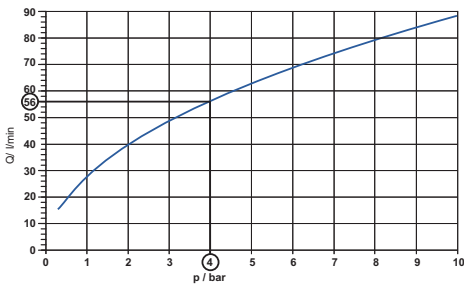
3.1 Technische Daten

Medien	
Medium:	Wasser Ohne aggressive, raue und feste Komponenten
Durchflussrate:	bis zu 4 m ³ /h, 1,1 l/s
Förderhöhe:	bis zu 43 m
Druckwerte	
Einschaltdruck Pumpe:	2,5 bar
Max. Systemdruck p _d :	6 bar
Max. Eingangsdruck:	4 bar
Betriebstemperaturen	
Max. mittlere Temperatur:	35 °C
Spezifikationen	
Eingangsseitiger Volumenstrom bei 4 bar:	< 1 l/s
Anschluss-Spannung:	230 V AC ± 10 %, 50 Hz
Leistungsaufnahme im Stand-by-Betrieb:	2,5 - 3 W
Max. Leistungsaufnahme:	800 W
Antrieb:	Einphasiger Wechselstrommotor 230 V, mit eingebautem Überlastungsschutz, Wärmeklasse F
Schutzklasse:	IP44
Gewicht CBU ohne Wasser:	ca. 22 kg
gefüllt mit Wasser:	ca. 35 kg
Gewicht Membran-Ausdehnungsgefäß	
ohne Wasser:	ca. 2,4 kg
gefüllt mit Wasser:	ca. 5 kg

3.2 Pumpenausgang



3.3 Fließ-Charakteristik des Einlassventils



Zu erwartende Lärm-Werte

Je nach Förderdaten der Anlage ergeben Geräuschwerte von annähernd 55 dB(A).

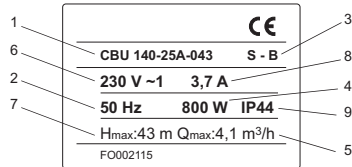
Aufstellungsart

Stationäre Aufstellung

3.4 Zulässige Umgebungsbedingungen

Umgebungstemperatur	5 °C - 40 °C
Relative Luftfeuchtigkeit	max. 55 % r.F.

3.5 Labeltyp



- | | |
|--------------------|----------------------|
| 1 Baureihe | 6 Bemessungsspannung |
| 2 Frequenz | 7 max. |
| 3 Seriennummer | Stromaufnahme |
| 4 Ausgangsleistung | 8 max. Förderhöhe |
| 5 max. Fördermenge | 9 Schutzart |

Schlüssel für Seriennummer

Kalenderjahr 2009 2010 2011 2012 2013

1. Halbjahr	S-U	S-W	S-Y	S-A	S-C
2. Halbjahr	S-V	S-X	S-Z	S-B	S-D

3.6 Version

Steckerfertige Sicherheitstrennstation, bestehend aus:

- selbstansaugende mehrstufige Kreiselpumpe
- Systemsteuerung -, Schalt- und Überwachungsgerät der Kreiselpumpe
- Systemsteuerung
- Vorratsbehälter mit bedarfsgerechter integrierter Trinkwassernachspeisung mittels mechanischem Schwimmerventil und freiem Auslauf gemäß DIN EN 1717
- Befestigungssatz für Wandmontage, bestehend aus Schrauben, Dübeln und Befestigungswinkel
- Flexible Anschlusschläuche PN10 mit DVGW-/TÜV-Zulassung und 10-Jahresgarantie für Druckseite sowie Trinkwasseranschluss (Länge ca. 30/50 cm)
- Membran-Ausdehnungsgefäß 8l
- Installationsanleitung mit Montageschablone

3.7 Overview

In einem winkelförmigen Behälter, der für eine Wandmontage konzipiert ist, befindet sich eine mehrstufige Hochdruckpumpe. Die Hochdruckpumpe ist über einen Rohrbogen mit einem Saugstutzen verbunden, der zum Vorratsbehälter führt.

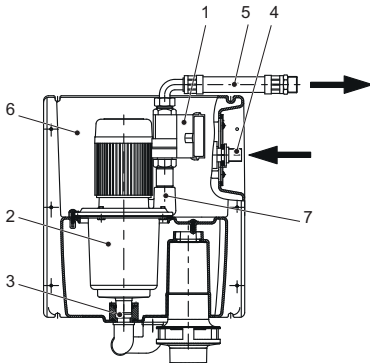


Abb. 2 CBU140 Aufbau

- | | | | |
|---|-------------------------|---|-------------------|
| 1 | Pumpensteuerung | 5 | Druckabgabe |
| 2 | Pumpe | 6 | Behälter |
| 3 | Saugstutzen
Behälter | 7 | Entlüftungsventil |
| 4 | Trinkwasseranschluss | | |

3.8 Bestimmungsgemäße Verwendung

Die Sicherheitstrennstation darf nur in solchen Einsatzbereichen betrieben werden, die in den mitgeltenden Dokumenten beschrieben sind.

Bei nicht bestimmungsgemäßem Einsatz der Sicherheitstrennstation können Gefahren für Personen, Anlagen in der Umgebung und die Umwelt entstehen.

- Die Sicherheitstrennstation nur in technisch einwandfreiem Zustand betreiben.
- Die Sicherheitstrennstation nicht in teilmontiertem Zustand betreiben.
- Die Sicherheitstrennstation darf nur das in der Dokumentation der betreffenden Ausführung beschriebene Medium fördern.
- Die Sicherheitstrennstation nie ohne Fördermedium betreiben.
- Die Angaben zu Mindestförderströmen beachten (Vermeidung von Überhitzungsschäden, Lagerschäden, ...).
- Die Angaben zu Maximalförderströmen beachten (Vermeidung von Überhitzung, Gleitringdichtungsschäden, Kavitationsschäden, Lagerschäden, ...).
- Die Sicherheitstrennstation nicht eingangsseitig drosseln (Vermeidung von Kavitationsschäden).
- Andere Betriebsweisen, sofern nicht in der Dokumentation genannt, mit dem Hersteller abstimmen.

3.9 Nicht bestimmungsgemäße Verwendung

Die Sicherheitstrennstation ist nicht für den Einsatz im Außenbereich konzipiert. Temperatur-, Licht und Feuchtigkeitseinflüsse können zu Funktionsstörungen und Geräteschäden führen.

- Sicherheitstrennstation nicht im Außenbereich einsetzen.
- Sicherheitstrennstation nur bestimmungsgemäß einsetzen.
- Keine aggressiven oder brennbaren Medien in die Medienanschlüsse des Systems einfüllen.
- Gehäuse nicht mechanisch belasten (z. B. durch Ablage von Gegenständen oder als Trittsstufe).
- Keine äußerlichen Veränderungen an den Gerätegehäusen vornehmen. Gehäuseteile und Schrauben nicht lackieren!
- Sicherheitstrennstation nicht über den für Installation und Wartung vorgesehenen Grad hinaus demontieren.

3.10 Produktvarianten

Produktvarianten finden Sie unter homecomfort.resideo.com/europe

4 Funktion

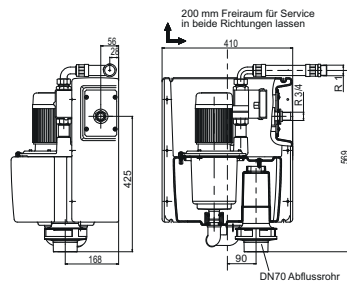
Die selbstansaugende Anlage saugt über den Saugstutzen das Fördermedium aus einem winkelförmigen Behälter an. In diesem Behälter befindet sich ein Wasservorrat von ca. 13 Litern, der vom Trinkwassernetz über ein Schwimmerventil automatisch befüllt wird.

Die Pumpe wird über einen Druckschalter innerhalb der Steuerung gesteuert. Die Werkseinstellung am Druckschalter beträgt 2,5 bar und die Pumpe läuft während eines Schaltvorganges 10 Sekunden nach, um die Anzahl der Ein- und Ausschaltzyklen zu reduzieren. Das Gerät ist mit einem Trockenlaufschutz und einem Rückschlagventil ausgestattet. Über ein Manometer ist der Ausgangsdruck ablesbar.

4.1 Baumaße

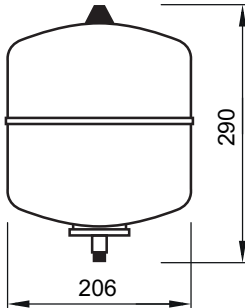
CBU

Übersicht



Membran-Druckausdehnungsgefäß

Übersicht



5 Shipping

5.1 Lieferzustand kontrollieren

1. Bei Warenübergabe jede Verpackungseinheit auf Beschädigungen prüfen.
2. Bei Transportschäden den genauen Schaden feststellen, dokumentieren und umgehend schriftlich an Resideo melden.

5.2 Transport



GEFAHR!

Umkippen der Anlage

Verletzungsgefahr durch herabfallende Anlage!

- ▶ Niemals Anlage an elektrischer Leitung anhängen.
- ▶ örtlich geltende Unfallverhütungsvorschriften beachten.
- ▶ Gewichtsangabe und Schwerpunkt beachten.
- ▶ Geeignete und zugelassene Transportmittel benutzen, z. B. Gabelstapler oder Hubwagen.



WARNUNG!

Aufstellung auf unbefestigte und nicht tragende Aufstellfläche

Personen- und Sachschäden!

- ▶ Ausreichende Druckfestigkeit gemäß Klasse C12/15 des Betons in der Expositionsklasse X0 nach EN 206-1 beachten.
- ▶ Aufstellfläche muss abgebunden, eben und waagrecht sein.
- ▶ Gewichtsangaben beachten.



Die Sicherheitstrennstation ist für Transport und Zwischenlagerung auf Holzkufen geschraubt und mit Folie eingewickelt. Alle Anschlussöffnungen sind durch Kappen verschlossen.

Die Anlage befindet sich auf einer kleinen Holzpalette unter dem Stülpkarton. Im gleichen Karton ist das Zubehör - siehe Kartonaufkleber - verpackt. Für den Transport sind zwei Tragegriffe an der Seite im Karton vorgesehen.

1. Zum Auspacken die Verpackungsbänder zerschneiden.
2. Das Zubehör und die Stützpolster aus dem Karton nehmen.
3. Karton nach oben abheben.
 - Anlage steht frei auf der Holzpalette.
4. Inhalt der Verpackung auf Vollständigkeit prüfen.
5. Anlage auf Transportschäden prüfen.
6. Geeignetes Transportmittel auswählen.
7. Anlage zum Montageort transportieren.

6 Montage

6.1 Allgemeine Sicherheitshinweise



GEFAHR!

Verletzungsgefahr durch elektrische Spannung. Hohe Körperströme und Verbrennungen durch direkte und indirekte Berührung von unter Spannung stehenden Teilen. Spannungsversorgung vor Montage der Sicherheitstrennstation abschalten und gegen Wiedereinschalten sichern.

- ▶ Fehlerhafter Netzanschluss
 - Beschädigung des Stromnetzes, Kurzschluss!
 - Die Elektroanlage muss den Errichtungsbestimmungen nach VDE 100 (d.h. Steckdosen mit Erdungsklemmen) entsprechen.
 - Das elektrische Netz muss mit einer Fehlerstrom-Schutzeinrichtung mit max. 30 mA ausgerüstet sein.
- ▶ Nicht oder fehlerhaft angeschlossene Kabel
 - Fehlfunktionen, welche die Sicherheit des Bedienpersonals gefährden.
 - Arbeiten an der elektrischen Ausstattung dürfen nur von Elektrofachkräften durchgeführt werden.
- ▶ Unsachgemäß verlegte Leitungen (z. B. zu kleiner Biegeradius)
 - Schmor- und Kabelbrände.
 - Arbeiten an der elektrischen Ausstattung dürfen nur von Elektrofachkräften durchgeführt werden.
- ▶ Spannungsführende Kabelenden und Bauteile
 - Durchgehende Verbindung des Schutzleitersystems muss vorhanden sein.

**WARNUNG!**

Die Sicherheitstrennstation ist nicht für den Einsatz im Außenbereich konzipiert.

Temperatur-, Licht und Feuchtigkeitseinflüsse können zu Funktionsstörungen und Geräteschäden führen.

- ▶ Die Sicherheitstrennstation nicht im Außenbereich einsetzen.
Gefahr durch unsachgemäße Installation
Personen- und Sachschäden!
- ▶ Durchführung nur durch qualifiziertes Personal (siehe Kapitel 1.10.1 Bedienpersonen).

**VORSICHT!**

Beschädigte oder falsch eingebaute Sicherheitstrennstation.
Fehlfunktionen

- ▶ Sicherheitstrennstation nicht beschädigen und nur in sauberem, funktionstüchtigem Zustand einbauen.
- ▶ Sicherheitstrennstation gemäß der beschriebenen Anordnung einbauen.
- ▶ Spannungs- und biegemomentfrei einbauen.
- ▶ Zu stark abgewinkelte Verbindungsleitung
Defekt der Anlage durch unzulässige Belastungen an der Anlage
Verringerung der Lebensdauer!
Verbindungsleitung spannungsfrei anschließen. Es dürfen keine Kräfte auf die Anschlussstutzen und die Anlage gebracht werden.
- ▶ Überschreitung der Trinkwassernachspeisung von max. 4 bar
Defekt der Anlage durch unzulässige Belastung
Vor der Anlage Druckminderer einbauen, sodass sichergestellt werden kann, dass nicht mehr als 4 bar Vordruck aus dem Trinkwassernetz nachgespeist werden.

6.2 Aufstellung gemäß DIN EN1717

Sicherheitstrennstation in einer technischen Zentrale oder in einem frostfreien, gut belüfteten, abschließbaren und anderweitig nicht genutzten Raum unterbringen. Schädliche Gase dürfen nicht in den Aufstellungsraum eindringen können. Ein ausreichend bemessener Entwässerungsanschluss (Kanalanschluss oder dgl.) ist erforderlich (EN 12056 beachten).

Nutzvolumen Behälter	Entwässerungsleistung
13 l	5,4 m ³ /h

Tabelle 6: Nutzvolumen/Entwässerungsleistung



Sicherheitstrennstation nicht in der Nähe von Wohn- und Schlafräumen betreiben.

6.3 Überprüfung vor Montagebeginn

Vor der Aufstellung folgende Punkte prüfen:

- Die Anlage ist laut Angaben auf dem Typenschild für das Stromnetz geeignet.
- Das zu fördernde Fördermedium entspricht den erlaubten Fördermedien
- Die oben genannten Sicherheitshinweise sind eingehalten.
- Der Aufstellungsraum ist trocken, frostfrei und gut belüftet.

6.3.1 Aufstellungsplatz

Idealerweise eine Außenwand zur Befestigung auswählen.

Die Wand muss geeignet sein, 4 Dübel Ø 10 mm aufzunehmen und das Anlagengewicht zu tragen. (ca. 35 kg mit Wasser gefüllt)

6.4 Sicherheitstrennstation aufstellen

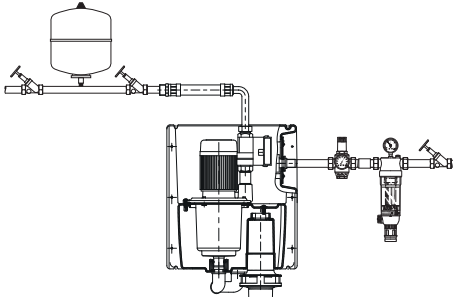
Platzbedarf für Betrieb und Instandhaltung berücksichtigen.

1. Vor der Aufstellung der Anlage Verpackung entfernen.
2. Mit der beiliegenden Bohrschablone die 4 Befestigungspunkte markieren.



3. Löcher (4 x Ø10 mm) bohren.
4. Geeignete Dübel in entsprechender Größe setzen.
– beiliegende Dübel nur für Befestigung in Beton- und Vollsteinwänden.
5. Die beiden unteren Befestigungsglaschen montieren und ausrichten.
6. Anlage in die beiden unteren Befestigungsglaschen einsetzen.
7. Oberen Befestigungsglaschen montieren.

6.5 Rohrleitungen anschließen



Verbindungsleitung spannungsfrei anschließen. Es dürfen keine Kräfte auf die Anschlussstutzen und die Anlage gebracht werden.

Vor der Anlage Druckminderer einbauen, so dass sichergestellt werden kann, dass nicht mehr als 4 bar Vordruck aus dem Trinkwassernetz nachgespeist werden. Der bauseitige Einbau einer Absperrarmatur und eines externen Filters ist empfehlenswert.

6.5.1 Wasseranschluss

1. Befestigung des Einlassanschlusses R 3/4 " mit einem flexiblen Druckschlauch an der Trinkwasserleitung.
2. Winkelförmigen Behälter mit Wasser füllen.
3. Trinkwasserleitung öffnen.
 - Nach Öffnen der Trinkwasserleitung füllt sich der Behälter automatisch.

6.5.2 Druckanschluss

- i** Zu starkes Abwinkeln der flexiblen Verbindungsleitungen vermeiden, da dies die Lebensdauer verringert und unzulässige Kräfte auf die Anschlussstutzen bringt.
- Um eine häufige Aktivierung der Pumpe bei kleinen Entnahmemengen zu vermeiden, installieren Sie einen Membran-Druckausdehnungsgefäß stromabwärts der CBU. Membran-Druckausdehnungsgefäß im Lieferumfang enthalten. Der bauseitige Einbau einer Absperrarmatur ist empfehlenswert.
4. Installieren Sie den Membran-Druckausdehnungsgefäß in der Verbrauchswasserleitung. Stellen Sie den Vordruck auf 3,2 - 3,4 bar ein. Zum Befüllen nur Stickstoff verwenden!
 5. Mit dem flexiblen Druckschlauch die Anlage rechts oder links an die Verbrauchswasserleitung anschließen.

6.6 Überlauf anschließen



VORSICHT!

Überlauf nicht angeschlossen
Überflutung des Aufstellraums!

- ▶ Überlaufleitung zum Kanal mit entsprechend dimensionierter Entwässerungsleistung führen (Anschluss DN150).

Zum freien Auslauf nach EN 1717 ist ein Überlauf vorgeschrieben, der bei dieser Anlage mit Nennweite 70 mm ausgeführt ist. Dieser Überlauf wird dann wirksam, wenn die Trinkwassernachspeisung undicht ist und das Wasser dadurch über den maximalen Überlaufpunkt ansteigt.



Fehlende Rückstausicherung vom Abwassernetz führt zum Verlust der DVGW-Zulassung! Sollte der Überlauftrichter an der Anlage nicht vorhanden sein, muss die Anlage mit einem im Zubehör erhältlichen Überlauf-Syphon an das Abwassernetz angeschlossen werden. Dabei muss beachtet werden, dass der Überlauf-Syphon nicht fest an die Anlage angeschlossen wird und die Installation nach DIN 1986-100, EN1717 ausgeführt wird.

Bei einem festen Anschluss an das Abwassersystem empfehlen wir zur Vermeidung von Geruchsbelästigung die Installation eines Siphons.

1. Überlauf anschließen.

6.7 Elektrischer Anschluss

6.7.1 Sicherheitshinweise



VORSICHT!

Verletzungsgefahr durch elektrische Spannung. Hohe Körperströme und Verbrennungen durch direkte und indirekte Berührung von unter Spannung stehenden Teilen.

- ▶ Spannungsversorgung vor Montage der Sicherheitstrennstation abschalten und gegen Wiedereinschalten sichern.



VORSICHT!

Nicht oder fehlerhaft angeschlossene Kabel Fehlfunktionen, welche die Sicherheit des Bedienpersonals gefährden.

- ▶ Arbeiten an der elektrischen Ausstattung dürfen nur von Elektrofachkräften durchgeführt werden.
- ▶ Vorschriften IEC 30364 (DIN VDE 0100) und bei Ex-Schutz IEC 60079 (DIN VDE 0165) beachten.

**VORSICHT!**

Fehlerhafter Netzanschluss

Beschädigung des Stromnetzes, Kurzschluss!

- ▶ Technische Anschlussbedingungen örtlicher Energieversorgungsunternehmen beachten.

**VORSICHT!**

Unsachgemäß verlegte Leitungen (z. B. zu kleiner Biegeradius)

Schmor- und Kabelbrände.

- ▶ Arbeiten an der elektrischen Ausstattung dürfen nur von Elektrofachkräften durchgeführt werden.

**VORSICHT!**

Spannungsführende Kabelenden und Bauteile

- ▶ Durchgehende Verbindung des Schutzleitersystems muss vorhanden sein.



Der Einbau einer Motorschutzeinrichtung ist empfehlenswert.

1. Vorhandene Netzspannung mit den Angaben auf dem Typenschild vergleichen.
2. Netzstecker in die Steckdose stecken.

6.8 Überprüfung des Wasserflusses

Der Wassermangelmonitor darf bei maximaler Entnahme nicht aktiviert werden.

Sollte dabei die Wassermangelüberwachung trotzdem ansprechen, muss die Druckseite ebenfalls eingedrosselt werden. Für maximale Entnahme- und Einlassmengen siehe 3 Bezeichnung.

7 Inbetriebnahme



Durchführung nur durch qualifiziertes Personal (siehe Kapitel Qualifiziertes Personal).

7.1 Sicherheitshinweise für die Inbetriebnahme

**VORSICHT!**

Gefahr durch unsachgemäßen Betrieb.

Fehlfunktionen

- ▶ Vor der Inbetriebnahme ist die Anleitung vom Bediener sowie vom zuständigen Fachpersonal/ Betreiber zu lesen und muss ständig am Einsatzort der Sicherheitstrennstation oder Anlage verfügbar sein.
- ▶ Für die Inbetriebnahme der Sicherheitstrennstation sind die örtlichen Sicherheits- und Unfallvorschriften einzuhalten.

**VORSICHT!**

Beschädigte oder falsch eingebaute Sicherheitstrennstation.

Fehlfunktionen

- ▶ Sicherheitstrennstation auf sichtbare Schäden überprüfen; festgestellte Mängel sofort beseitigen oder dem Aufsichtspersonal melden. Die Sicherheitstrennstation darf nur in einwandfreiem Zustand betrieben werden.

Machen Sie sich ausreichend vertraut mit

- der Ausstattung der Sicherheitstrennstation
- der Arbeitsweise der Sicherheitstrennstation
- dem unmittelbaren Umfeld der Sicherheitstrennstation
- den Maßnahmen für einen Notfall

7.2 Voraussetzungen für die Inbetriebnahme

**VORSICHT!**

Trockenlauf der Pumpe

Beschädigung der Pumpe/Anlage!

- ▶ Sicherstellen, dass kein Wassermangel auftritt.



Vor Inbetriebnahme und vor Probetrieb sind die zuständigen Stellen rechtzeitig zu benachrichtigen.

Vor Inbetriebnahme der Sicherheitstrennstation müssen folgende Punkte sichergestellt sein:

- Die Sicherheitstrennstation ist vorschriftsmäßig elektrisch mit allen Schutzeinrichtungen angeschlossen.
- Die einschlägigen VDE- bzw. länderspezifischen Vorschriften sind eingehalten und werden erfüllt.
- Anschluss der Trinkwassernachspeisung ist an das Trinkwassernetz angeschlossen.
- Anlage ist vorschriftsmäßig elektrisch angeschlossen.

7.3 Pumpe und Behälter auffüllen und entlüften

1. Betriebsartenschalter für ca. 15 Sekunden auf Trinkwassernachspeisung schalten.
 - Der Behälter der Anlage füllt sich automatisch.
2. Entlüftungsventil mit einem Schraubendreher oder einem Vierkantschlüssel öffnen.
3. Warten bis Wasser aus dem Entlüftungsventil austritt.
 - Tritt Wasser aus dem Entlüftungsventil aus, ist die Anlage entlüftet.
4. Entlüftungsventil schließen.
5. Ziehen Sie Wasser aus dem vom CBU gelieferten System ab
6. Pumpe kurz einschalten.

7.4 Anlage einschalten

Anlage ist automatisch eingeschalten, wenn der Netzstecker eingesteckt ist.

7.5 Funktionsprüfung

Anlage ist ordnungsgemäß aufgestellt, eingebaut, angeschlossen und in Betrieb genommen.

7.7 Checkliste zur Inbetriebnahme

Arbeitschritte		erledigt
1	Anleitung lesen.	
2	Spannungsversorgung prüfen und mit Angaben auf dem Typenschild vergleichen.	
3	Mechanischen Anschluss an das Wasserversorgungssystem prüfen. Flansche bzw. Verschraubungen nachziehen.	
4	Sicherheitstrennstation von der Eingangsseite her auffüllen und entlüften.	
5	Nachspeisung prüfen.	
6	Trockenlaufschutz prüfen	
7	Betriebsart prüfen	
8	Anlagengegebenheiten, die nicht mit unseren Angaben oder Bestellangaben übereinstimmen, in das Inbetriebnahmeprotokoll aufnehmen.	
9	Inbetriebnahmeprotokoll mit dem Betreiber ausfüllen und Betreiber in Funktion einweisen.	

8 Betrieb

Einschaltung der Pumpe erfolgt während des Abzugs automatisch.

Wenn kein Abzug erfolgt, schaltet die Pumpe automatisch ab. Bei Wassermangel schaltet der integrierte Trockenlaufschutz die Pumpe automatisch ab.

Mit der Reset-Taste kann die Störmeldung zurückgesetzt werden.

Solange man die Reset-Taste gedrückt hält, ist die Steuerung im Handbetrieb.

9 Instandhaltung

i Nach DIN EN 806-5 sind Wasserarmaturen jährlich zu prüfen und instandzuhalten. Instandhaltungsarbeiten müssen durch ein Installationsunternehmen durchgeführt werden, es wird empfohlen einen Instandhaltungsvertrag mit einem Installationsunternehmen abzuschließen.

Entsprechend DIN EN 806-5 sind folgende Maßnahmen durchzuführen:

Durchführung nur durch qualifiziertes Personal (siehe Kapitel 1.1 Anforderungen an das ausführende Personal).

7.6 Überprüfung des Trockenlaufschutzes

1. Saugseitigen Zulauf absperren.
 - Die Anlage wird permanent von der Pumpensteuerung auf Trockenlauf überwacht. Wenn saugseitig nicht genügend Fördermedium nachgeführt wird (Förderstrom reißt ab), schaltet die Pumpensteuerung nach 10 bis 15 Sekunden ab. Durch Drücken der Reset-Taste kann diese Nachlaufzeit nochmals aktiviert werden.

9.1 Sicherheitshinweise für die Instandhaltung



GEFAHR!

Verletzungsgefahr durch elektrische Spannung. Hohe Körperströme und Verbrennungen durch direkte und indirekte Berührung von unter Spannung stehenden Teilen.

- ▶ Spannungsversorgung vor Instandhaltungsarbeiten an der Sicherheitstrennstation abschalten und gegen Wiedereinschalten sichern.



WARNUNG!

Arbeiten an der Sicherheitstrennstation durch unqualifiziertes Personal

Verletzungsgefahr !

- ▶ Reparatur- und Wartungsarbeiten sind nur durch speziell geschultes Personal durchzuführen!



VORSICHT!

Unschlaggemäß gewartete Sicherheitstrennstation Funktion der Sicherheitstrennstation nicht gewährleistet!

- ▶ Sicherheitstrennstation regelmäßig warten.

- Die Sicherheitsvorschriften und Hinweise sind stets zu beachten.
- Bei Arbeiten an den Pumpen Anleitung Pumpe beachten.

i Bei Schadensfällen steht unser Service zur Verfügung.
Durch Erstellen eines Wartungsplanes lassen sich mit einem Minimum an Wartungsaufwand teure Reparaturen vermeiden und ein störungsfreies und zuverlässiges Arbeiten der Sicherheitstrennstation erreichen.

9.2 Übersicht Inspektionsmaßnahmen

Zeitabstand	Maßnahme
halbjährlich	Pumpensteuerung prüfen
	Trockenlaufschutz prüfen
	Druckschläuche prüfen
	Gleitringdichtung prüfen

9.3 Inspektion

i Um einen zuverlässigen Betrieb der Sicherheitstrennstation zu gewährleisten sind die vorgeschriebenen Inspektionsarbeiten fristgemäß durchzuführen.

9.3.1 Überprüfung des Trockenlaufschutzes

i Intervall: halbjährlich

1. Trinkwassernachspeisung absperren
2. Druckschalter betätigen um Vorratsbehälter leer zu pumpen.
 - Wenn der Vorratsbehälter leer ist, muss die Pumpensteuerung die Pumpe innerhalb von 10 - 15 Sekunden abschalten. Wiedereinschaltung erfolgt erst nach Drücken der Reset-Taste.

9.3.2 Druckschläuche prüfen

i Intervall: halbjährlich

1. Druckschläuche auf Dichtheit und Beschädigung am Metallgeflecht prüfen.
 - Bei sichtbaren Undichtigkeiten oder starken Beschädigungen des Metallmantels sind die Schläuche zu wechseln.

9.3.3 Pumpensteuerung prüfen

i Intervall: halbjährlich

1. Wasserabzug
2. Sicherstellen, dass es keinen Abzug gibt.
3. Pumpe muss nach Abstellen des Abzugs nach ca. 10-15 Sekunden abschalten.

9.3.4 Gleitringdichtungsleckage prüfen

i Intervall: halbjährlich

i Ein geringer Verschleiß der Gleitringdichtung ist unvermeidlich und wird durch abrasive Bestandteile im Fördermedium beschleunigt.

1. Im Bereich zwischen Motor und Pumpengehäuse auf Leckage prüfen.
2. Bei Leckage muss die Gleitringdichtung gewechselt werden.
 - Der Austausch sollte durch Resideo-Fachpersonal erfolgen.

9.3.5 Vorspanndruck des Membran-Druckausdehnungsgefäß prüfen

i Intervall: halbjährlich

1. Schutzkappe entfernen.
2. Vorspannung überprüfen. Falls notwendig, auf 3.2 - 3.4 bar einstellen.

9.4 Instandhaltung

i Die Instandhaltung sollte durch Resideo-Fachpersonal erfolgen.

10 Fehlersuche

i Vor Arbeiten an der Anlage (ausschließlich der für Inbetriebnahme und Wartung notwendigen Arbeiten) während der Garanzzeit unbedingt Rücksprache halten.
Unser Kundendienst steht Ihnen zur Verfügung.
Zuwiderhandeln führt zum Verlust jeglicher Schadenersatzansprüche.

Fehler	Mögliche Ursache	Beseitigung	von
Pumpe läuft, saugt aber nicht an	Pumpe nicht aufgefüllt	Pumpe auffüllen	Betreiber
	Behälterzulauf geschlossen	Behälterzulauf öffnen	Betreiber
Pumpe schaltet häufig ein und aus	Undichter Wasserhahn	Dichtungshahn	Betreiber
Pumpe läuft, Fördermenge oder Druck reichen nicht aus	Pumpe saugt Luft	Überprüfung der Saugleitung	Betreiber
Pumpe schaltet während des Betriebs ab und geht auf Störung	Stromausfall oder Unterspannung	Stromzufuhr überprüfen	Betreiber
	Thermoschalter hat wegen Überhitzung ausgelöst	Pumpe auf Leichtgängigkeit überprüfen	Service
	FI-Schutzschalter hat ausgelöst	Isolationswiderstand vom Elektrofachmann prüfen lassen	Service
Anlage schaltet nicht ein	Pumpensteuerung ist auf Störung	Reset-Taste drücken oder Netzspannung unterbrechen	Betreiber
Anlage schaltet nicht aus	Fremdkörper in der Pumpensteuerung	Pumpensteuerung reinigen und gegebenenfalls erneuern	Service
Anlage ist zu laut	Pumpe liegt an den Sicherungsschrauben an	Pumpe von Hand so ausrichten, dass die Pumpe nicht an den Schrauben anliegt	Betreiber
Behälter läuft über	Verunreinigung im Ventil	Schmutz/Kalk im Ventil beseitigen und gegebenenfalls Schwimmer erneuern	Service

10.1 Maßnahmen zur Beseitigung von Druckstößen

10.1.1 Vergößerung der Zulaufleitung

Nach DIN EN 806-5 ist bei Abnahmemengen $> 0,5$ l/s ein Rohrinnendurchmesser von mindestens 20 mm zu wählen.

10.1.2 Einstellung Druckminderer

Wenn ein Ruhedruck von 5 bar am Manometer abzulesen ist und bei geöffnetem Ventil der Druck auf 2,5 bar abfällt, muss der Ruhedruck mindestens um 1 bar zurückgestellt werden. Druckstöße entstehen, wenn größere Druckunterschiede als 2 bar vorhanden sind.

10.1.3 Drosselung Druckstoß

Wenn in der Trinkwasserleitung vor der Anlage eine Absperrarmatur oder ein Druckminderer eingebaut ist, muss dieser so weit gedrosselt werden, bis der Druckstoß verschwunden ist. Nachteil dieser Methode ist die geringe Nachspeisemenge. Es muss geprüft werden, ob die Nachspeisemenge für den normalen Verbrauch noch ausreicht. Dabei darf die Wassermangelüberwachung bei maximaler Entnahme nicht ansprechen. Sollte dabei die Wassermangelüberwachung trotzdem ansprechen, muss die Druckseite ebenfalls eingedrosselt werden.

10.1.4 Membran-Druckausdehnungsgefäß

Bei Anschluss an dünne Versorgungsleitungen kann mit Hilfe eines Membran-Druckausdehnungsgefäßes starker Druckeinbruch und der Druckstöße abgefangen werden. Installieren Sie in diesem Fall ein Membran-Druckausdehnungsgefäß vor der Anlage.

11 Außerbetriebnahme, Demontage, Wiederinbetriebnahme

11.1 Sicherheitstrennstation außer Betrieb setzen



VORSICHT!

Verletzungsgefahr durch elektrische Spannung. Hohe Körperströme und Verbrennungen durch direkte und indirekte Berührung von unter Spannung stehenden Teilen.

- ▶ Spannungsversorgung vor Außerbetriebnahme an der Sicherheitstrennstation abschalten und gegen Wiedereinschalten sichern.
- 1. Anlage von der Stromversorgung trennen und gegen Einschalten sichern.
- 2. Anlage ordnungsgemäß ausbauen.
- 3. Trinkwasserzulauf und Druckleitung absperrern.
- 4. Anlage ordnungsgemäß spülen.
- 5. Anlage abtropfen lassen.

11.2 Sicherheitstrennstation wieder in Betrieb nehmen

Beachten Sie die Vorgehensweise in Kapitel 7 Inbetriebnahme

12 Lagerung

12.1 Kurzfristige Lagerung

Eine kurzfristige Lagerung ist ohne besondere Maßnahmen bei den spezifizierten Umgebungsbedingungen möglich.

12.2 Lagerung/Erhalt



VORSICHT!

Beschädigung durch Frost, Feuchtigkeit, Schmutz, UV-Strahlung oder Schädlinge bei der Lagerung
Korrosion/Verschmutzung der Anlage!

- ▶ Anlage frostsicher, nicht unter freiem Himmel lagern.



VORSICHT!

Feuchte, verschmutzte oder beschädigte Öffnungen und Verbindungsstellen
Undichtheit oder Beschädigung der Anlage!

- ▶ Verschlussene Öffnungen der Anlage erst während der Aufstellung freilegen.

12.3 Lagerbedingungen

Lagerort	geschlossener Raum, trocken und staubfrei
Umgebungstemperatur	5 °C bis 40 °C (inkl. Netzteil)
Relative Luftfeuchtigkeit	max. 50 % r.F.

13 Entsorgung

Die örtlichen Vorschriften zur korrekten Abfallverwertung/-entsorgung beachten!

14 Ersatzteile

Ersatzteile finden Sie unter homecomfort.resideo.com/europe

15 Inbetriebnahmeprotokoll

Die nachstehend sogenannte Kompaktverstärkereinheit von Resideo wurde heute durch den unterzeichnenden, befugten Resideo Kundendienst in Betrieb genommen und dieses Protokoll wurde erstellt.

1. Sicherheitstrennstation

Baureihe _____
 Größe _____
 Seriennummer _____
 Bestellnummer _____

2. Kunde/Betriebsort

Auftraggeber	Betriebsort
Name _____	_____
Adresse _____	_____
_____	_____

3. Betriebsdaten; weitere Daten siehe Schaltplan

Switch-on pressure	pE bar	_____
Vorfülldruck-Einstellwert für Vorfülldruckschalter überwachen	pvorher - x	_____
Switch-off pressure	pA bar	_____
Precharge pressure	pvorher bar	_____
Precharge pressure tank	pvorher bar	_____

4. Important notes

Gemäß DVGW-Arbeitsblatt W 314 ist der Anlagenbetreiber verpflichtet, die Inbetriebnahme dem zuständigen Wasserversorgungsunternehmen zu melden.

Wird die Anlage zusätzlich mit Druckbehältern der Gruppe III/IV gemäß der Verordnung über Druckbehälter betrieben, ist die Inbetriebnahme außerdem dem zuständigen TÜV anzuzeigen.

Der Betreiber bzw. dessen Kunde bescheinigt hiermit, in Betrieb und Wartung der Sicherheitstrennstation eingewiesen worden zu sein. Die Schaltpläne und Anweisungen wurden ebenfalls ausgeliefert.

TankDefects determined during start-up

Defect 1

Name Resideo-Beauftragter

City

Scheduled elimination

Name of supplier and contractor

Datum

16 Unbedenklichkeitserklärung

Ausführung _____

Order number/Order item number³⁾ _____

Lieferdatum _____

Einsatzbereich _____

Pumped medium³⁾ _____

Make a check mark if applicable³⁾:



radioactive



explosiv



corrosive



poisonous



hazardous to health



biohazard



flammable

harmless

Reasons for the return³⁾ _____

Anhang: _____

The system/the accessories has to be carefully emptied and cleaned on the exterior as well as the interior.

- Besondere Sicherheitsvorkehrungen sind bei der weiteren Handhabung nicht erforderlich.
- Folgende Sicherheitsvorkehrungen hinsichtlich Spülmittel, Restflüssigkeiten und Entsorgung sind erforderlich:

We ensure that the above information is correct and complete and delivery will be made according to statutory requirements.

City, date and signature

Adresse

Firmenstempel

1 Sikkerhedsanvisning

1. Vær opmærksom på monteringsvejledningen.
2. Benyt apparatet
 - som tilsigtet
 - i perfekt tilstand
 - og med opmærksomhed på sikkerhed og farer.
3. Bemærk at apparatet udelukkende er beregnet for det i monteringsvejledningen nævnte anvendelsesområde (se 3.1 Tekniske data). Andre, eller yderligere benyttelse anses som ikketilsigtet.
4. Bemærk at alle monterings-, idriftssættelses-, vedligeholdelses- og justeringsarbejder skal udføres af autoriseret personale.
5. Driftsforstyrrelser der kan påvirke sikkerheden skal straks afhjælpes.

1.1 Sikkerhedsinstrukser i denne manual



FARE!

Steder med dette tegn tilkendegiver, at død, alvorlig personskade eller væsentlig materiel skade vil opstå, hvis de nødvendige forholdsregler ikke følges!



ADVARSEL!

Steder med dette tegn tilkendegiver, at død, alvorlig personskade eller væsentlig materiel skade kan opstå, hvis de nødvendige forholdsregler ikke følges!



FORSIGTIG!

Steder med dette tegn tilkendegiver, at mindre personskade eller mindre materiel skade kan opstå, hvis de nødvendige forholdsregler ikke følges!



Steder med dette tegn giver teknisk information og brugstips om, at beskadigelse af maskinen skal undgås. Dette symbol er ikke en sikkerhedsindikation.



Steder med dette tegn informerer om mulige farer for miljøet



Bemærk, at et sikkerhedssymbol aldrig kan erstatte teksten i selve sikkerhedsinstruksen – teksten i sikkerhedsinstruksen skal læses til fulde!

1.2 Generelle sikkerhedsinstrukser

Denne manual indeholder grundlæggende instrukser, der skal overholdes under transport, montering, opstart, drift, vedligeholdelse, nedlukning, opbevaring og bortskaffelse af affald.

De følgende sikkerhedsinstrukser skal overholdes under betjeningen af det kompakte trykforøgeranlæg:

- Når det kompakte trykforøgeranlæg anvendes, skal data, drifts- og anvendelsesbetingelserne, der specifikt er godkendt i det tekniske datablad, samt betjeningsmanualen overholdes.
- Overskrid aldrig de tilladte grænser for tryk, temperatur etc., der er angivet i dokumentationen.
- Overhold alle sikkerhedsinstrukser og betjeningsinstrukserne i manualen.
- Instrukser, der er sat direkte på anlægget, skal overholdes og holdes fuldstændigt læselige. Dette gælder f.eks.:
 - Sikkerhedsinstrukser
 - Pil til drejningsretningen
 - Tilslutningsmærker
 - Typemærke
- Før montering og opstart skal både operatøren og det ansvarlige tekniske personale/driftspersonale have læst manualen, der til enhver tid skal opbevares sammen med trykforøgeranlægget.
- Installations- og vedligeholdelsesarbejde må kun udføres af autoriserede specialister med de passende værktøjer.
- Det kompakte trykforøgeranlægs tekniske tilstand skal undersøges regelmæssigt (mindst en gang årligt) af driftsvirksomheden.
- De lokale sikkerheds- og ulykkesbestemmelser skal overholdes under betjeningen af det kompakte trykforøgeranlæg.
- De generelle tekniske regler skal overholdes, når brugen planlægges og enheden betjenes.
- Ændringer af det kompakte trykforøgeranlæg er ikke tilladt og medfører, at garantien ophører.
- Efter en afbrydelse af el- eller væskeforsyningen skal en defineret eller kontrolleret gentagelse af processen sikres.
- Operatøren er ansvarlig for at overholde de lokale bestemmelser, der ikke er dækket af manualen.

1.3 Yderligere sikkerhedsforskrifter

Operatøren skal især sikre, at

- Forebyggelsesbestemmelser for ulykker, sikkerheds- og driftsforskrifter
- Sikkerhedsforskrifter for håndtering af farlige stoffer
- Gældende standarder og love

1.4 Uautoriserede driftstyper

De grænser, der er angivet i dokumentationen, skal altid overholdes. Der er kun garanti for, at det leverede system fungerer pålideligt, når det bruges som tilsigtet.

1.5 Resterende farer i håndteringen af det kompakte trykforøgeranlæg

Farer og utilsigtede effekter kan opstå med brugen af det kompakte trykforøgeranlæg

- Kun elektrikere må udføre arbejde på det elektriske udstyr
 - til selve det kompakte trykforøgeranlæg
 - på anden ejendom.
- Grundlaget for en sikker og fejlfri betjening af det kompakte trykforøgeranlæg er kendskab til instrukserne for sikkerhed og betjening i denne manual.

1.5.1 Resterende mekaniske farer

Under normal betjening udgår der ingen farer fra mekaniske komponenter.

1.5.2 Resterende farer relateret til væsker

Under normal betjening udgår der ingen farer fra mekaniske komponenter.

Farer kan kun opstå under følgende betingelser.

Fareområde	Faretype	Reduktion af fare
Rørledninger	Personskader på grund af højt tryk	Fjern trykket fra rørledninger og medie inden montering, vedligeholdelse eller nedlukning!

1.5.3 Resterende elektriske farer

Under normal drift er der ingen fare forbundet med det kompakte trykforøgeranlægs elektriske udstyr.

Farer kan kun opstå under følgende betingelser.

Fareområde	Faretype	Reduktion af fare
Personskader pga. kabler	Livsfare! Elektrisk stød på 230/400V på grund af elektrisk spænding	Tilslut beskyttelsesjordsystem! Sluk altid strømforsyningen, og sikr den mod gentilkobling under vedligeholdelses- og servicearbejde! Overhold de gældende bestemmelser for ulykkesforebyggelse og sikkerhed for elektrisk udstyr!
Elektrostatisk udsatte komponenter / underenheder	Enheden indeholder elektroniske komponentelementer, der reagerer følsomt på elektrostatisk afladning (ESD). Kontakt med elektrostatisk ladede personer eller genstande udgør en fare for disse komponentelementer. I værste fald vil de blive ødelagt med det samme eller svigte efter opstart.	Overhold bestemmelserne iht. EN 100 015 - 1 for at minimere eller undgå skader på grund af stødagtig elektrostatisk afladning! Rør ikke ved elektroniske komponentelementer, når strømforsyningen er tændt!

1.5.4 Resterende biologiske farer

Under normal drift er der ingen biologisk fare som følge af det kompakte trykforøgeranlæg.

Farer kan kun opstå under følgende betingelser.

Fareområde	Faretype	Reduktion af fare
Buffertank	Fare for mikrobiel kontaminering	Rengør buffertanken regelmæssigt!

1.5.5 Resterende kemiske farer

Under normal drift er der ingen kemiske farer forbundet med det kompakte trykforøgeranlæg.

Farer kan kun opstå under følgende betingelser.

Fareområde	Faretype	Reduktion af fare
Brug af vaskemidler	Fare på grund af kontakt med eller indånding af farlige væsker, gasser, dampe eller støv	Brug personligt beskyttelsesudstyr! Vær opmærksom på sikkerhedsdatabladet fra producenten af vaskemidlet!

1.5.6 Konsekvenser og farer, der opstår, hvis du ikke følger manualen

- Hvis du ikke følger denne manual, vil det føre til tab af garantien og gøre erstatningskrav ugyldige.
- Manglende overholdelse af manualen kan f.eks. føre til følgende farer:
 - Fare for personer forårsaget af elektriske, termiske, mekaniske og kemiske påvirkninger
 - Tab af vigtige produktfunktioner
 - Miljøfare forårsaget af lækage af farlige stoffer

1.6 Grundlæggende sikkerhedsforanstaltninger

1.6.1 Hold oplysningerne tilgængelige

Denne manual skal opbevares. Det skal sikres, at alle personer, der betjener det kompakte trykføgeranlæg, har adgang til manualen hele tiden.

1.6.2 Miljømæssig beskyttelse



Når det kompakte trykføgeranlæg betjenes eller vedligeholdes, skal bestemmelserne vedr. forebyggelse af affald og korrekt genanvendelse eller bortskaffelse af affald overholdes.

Vær særligt opmærksom på, at materialer og stoffer, der er farlige for grundvandet, såsom fedtstoffer, olier, kølemidler, flydende vaskemidler på basis af opløsningsmidler etc., ikke forurener jorden eller slipper ned i kloaksystemet. Disse materialer skal opfanges i egnede tanke, opbevares, transporteres og bortskaffes korrekt.

1.6.3 Ændringer af det kompakte trykføgeranlæg

Når der anvendes eksternt producerede dele, er der ingen garanti for, at disse er designet og konstrueret til at klare de krav, de udsættes for, eller at de er i overensstemmelse med sikkerhedsbestemmelserne.

Af sikkerhedsårsager må ingen uautoriserede ændringer foretages på det kompakte trykføgeranlæg.

Dele og særligt udstyr, der ikke er leveret af Resideo, er heller ikke godkendt til brug af Resideo.

1.7 Operatørens pligt til rettidig omhu

Det kompakte trykføgeranlæg er designet og konstrueret i henhold til en risikovurdering og efter nøje valg af de harmoniserede standarder, der gælder, samt i overensstemmelse med yderligere tekniske specifikationer. Dermed er det i overensstemmelse med best practice, og den højeste sikkerhedsstandard er garanteret.

Det sikkerhedsniveau kan kun fastholdes under driften, hvis alle nødvendige sikkerhedsforanstaltninger er på plads.

Operatøren af det kompakte trykføgeranlæg er forpligtet til rettidig omhu i forbindelse med planlægningen og implementeringen af disse foranstaltninger.

Operatøren skal især sikre, at

- det kompakte trykføgeranlæg kun betjenes i overensstemmelse med formålet
- det kompakte trykføgeranlæg kun betjenes, hvis det er i perfekt stand.
- manualen er læselig hele tiden og opbevares på stedet ved det kompakte trykføgeranlæg.
- det kompakte trykføgeranlæg monteres, tages i brug, vedligeholdes og lukkes ned udelukkende af tilstrækkeligt kvalificeret og autoriseret personale.
- dette personale instrueres regelmæssigt i alle relevante spørgsmål om arbejdssikkerheden og miljøbeskyttelsen og også har læst og forstået manualen og særligt sikkerhedsinstrukserne heri.
- ingen af disse sikkerheds- og advarselsskilte, der findes på det kompakte trykføgeranlæg, fjernes, og at alle er læselige.
- en risikovurdering (iht. Safety at Work Act § 5) er udført med henblik på at afdække yderligere farer, der måtte udspringe af de konkrete arbejdsbetingelser på stedet, hvor det kompakte trykføgeranlæg betjenes.
- alle yderligere informationer og sikkerhedsinstrukser, som risikovurderingen resulterer i, skal sammenfattes i driftsanvisninger (i henhold til arbejdsudstyrsbestemmelsen § 6).
- afløbsudgangsledningerne er tilstrækkeligt dimensioneret

1.8 Sikkerhedsinstrukser for operatør/ betjeningspersonale

- Eliminér farer forårsaget af elektrisk energi (for nærmere detaljer henvises til landespecifikke regler og/eller elforsyningselskaber).

1.9 Sikkerhedsinstrukser i vedligeholdelse, inspektioner og montering

- Ændringer i eller modificering af systemet er kun tilladt med producentens samtykke.
- Brug kun originale dele eller dele, der er godkendt af producenten.
- Brug af dele, der ikke er godkendte, kan medføre tab af erstatningsansvar for eventuelle skader, de må forårsage.
- Udfør kun service på systemet, når maskinen er slukket.
- Pumpehuset skal have omgivelsestemperatur.
- Pumpehuset skal være trykløst og tomt.

- De procedurer, der er beskrevet i manualen til nedlukning af systemet, skal overholdes under alle omstændigheder.
- Geninstallér sikkerhedsudstyr og beskyttelsesanordninger og aktivér dem igen umiddelbart efter, at arbejdet på systemet er afsluttet. Før genopstart skal du følge opstarts-checklisten.
- Hold uautoriserede personer (f.eks. børn) væk fra systemet.

1.10 Krav til betjeningspersonalet

1.10.1 Betjeningspersonale

Dette kompakte trykforøgeranlæg må kun monteres, startes, vedligeholdes og lukkes ned af personer, der er uddannet, instrueret og autoriseret til det.

I nogle tilfælde kan uddannelse arrangeres af producenten, hvis operatøren beder om det.

Uddannelse eller personale til at betjene systemet skal være under tilsyn af specialiserede teknikere.

Personalets relevante autorisationer skal specificeres af driftsvirksomheden i form af en betjeningsanvisning.

Derudover er særlige kvalifikationer nødvendige for følgende opgaver:

- Kun elektrikere må udføre arbejde på det elektriske udstyr
- Monterings-, vedligeholdelses-, service- og reparationsarbejde må kun udføres af kvalificeret, specialiseret personale

De grundlæggende bestemmelser om arbejdssikkerhed og ulykkesforebyggelse skal overholdes.

Kvalificeret personale

Kvalificeret personale er personer, der på baggrund af deres uddannelse, erfaring og oplæring samt deres kendskab til relevante normer, bestemmelser, ulykkesforebyggelsesbestemmelser og driftsbetingelser (herunder personer med ansvar for anlæggets sikkerhed), er blevet autoriseret til at udføre de relevante og nødvendige opgaver, samtidig med at de kan genkende og undgå farer. Dette omfatter det nødvendige kendskab til førstehjælpsforanstaltninger og de lokale ambulancetjenester og -faciliteter.

1.11 Personligt beskyttelsesudstyr

Der kræves intet personligt beskyttelsesudstyr til betjeningen af det kompakte trykforøgeranlæg.

2 Generelle oplysninger

Manualen er en del af serien og versionerne som nævnt på titelbladet. Manualen beskriver den sikre og korrekte brug i alle driftstilstande.

Typemærket angiver serien og størrelsen, de vigtigste driftsdata og ordrenummeret. Fabrikationsnummeret/serienummeret identificerer systemet unikt og tjener dette formål i alle yderligere forretningstransaktioner.

For at bevare garantien skal det nærmeste Resideo-servicecenter kontaktes omgående i tilfælde af en skade.

2.1 Overensstemmelse med følgende standarder

Pumpeenhed: Maskindirektivet 2006/42/EF

Pumpeenhed: EMC-direktivet 2004/108/EF

Frekvensomformer: EMC-direktivet 2004/108/EF

Frekvensomformer: Lavspændingsdirektivet 2006/95/EF

2.2 Garanti og ansvar

Principielt gælder Resideos generelle salgs- og leveringsbetingelser. Garanti- og erstatningskrav ved personskader og tingsskader er udelukkede, hvis skaderne har en eller flere af følgende årsager.

- Brug af det kompakte trykforøgeranlæg i strid med formålet
- Ukorrekt montering, opstart, betjening og vedligeholdelse af det kompakte trykforøgeranlæg
- Manglende overholdelse af instrukserne i manualen vedrørende transport, opbevaring, montering, opstart, betjening og vedligeholdelse af det kompakte trykforøgeranlæg
- Uautoriserede konstruktionsmæssige ændringer af det kompakte trykforøgeranlæg
- Ukorrekt udførte reparationer
- Katastrofer som følge af fremmede genstande eller force majeure

2.3 Opbevaring og perfekt tilstand

Denne betjeningsmanual er en del af det kompakte trykforøgeranlæg og skal være komplet og tilgængelig hele tiden. Eventuelt manglende anvisninger eller sider skal straks erstattes.

2.4 Illustrationer

De anvendte illustrationer er eksempler på en mulig version af det kompakte trykforøgeranlæg og kan i enkelte tilfælde variere fra den faktiske version af det kompakte trykforøgeranlæg.

2.5 Symboler

1. Beskrivelse af start af en opgave
2. Næste arbejdsstrin
 - Resultat af en handling
- Liste over flere muligheder
- Reference til andre dokumenter

**FARE!**

Farekilde

Konsekvens ved manglende overholdelse

- Forebyggelse

2.6 Andre relevante dokumenter

- Driftsmanualer, kredsløbsdiagram og yderligere dokumentation for hjælpestyr og integrerede maskindele
- Produktdataark CBU140
- Driftsanvisninger fra driftsvirksomheden
- Datablade
- Overensstemmelseserklæring

2.7 Ordliste**EN 1717**

Europæisk standard, der specificerer de tekniske reguleringer for drikkevandsinstallationer.

Værdier for forventede støjniveauer

Den forventede støjemission, her angivet som lydtryksniveau (SPL) i dB(A).

Certifikat om ikke-indsigelse

Et certifikat om ikke-indsigelse er en erklæring om, at anlægget er blevet rengjort ordentligt, så dele, der har været i kontakt med medie, ikke er farlige for sundhed og miljø.

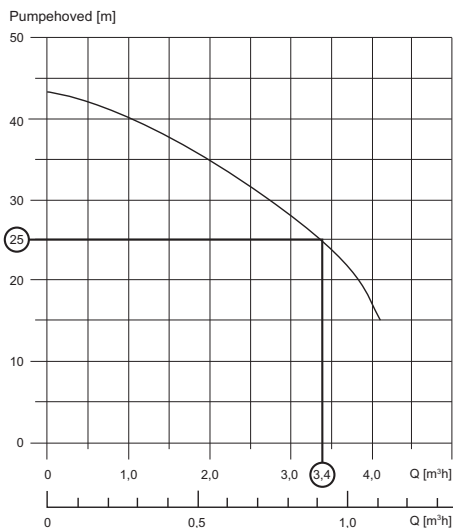
3 Beskrivelse

Hastighedsstyret kompakt trykforøgeranlæg med en lodret højtrykspumpe som sikkerhedsanordning til at separere drikkevand fra kategori 5-væsker iht. EN 1717. Fulldautomatisk, fuldt kablet kompakt trykforøgeranlæg med moduldesign bestående af et enkeltpumpesystem og en buffertank til hygiejnisk adskillelse af drikkevand og kategori 5-væsker iht. EN 1717, på en fælles bundramme. Moduldesignet gør det muligt at frakoble moduler til installation i bygninger med begrænset plads. Anlægget tændes og slukkes efter trykregulering, strømningshastigheden styres via frekvensomformer.

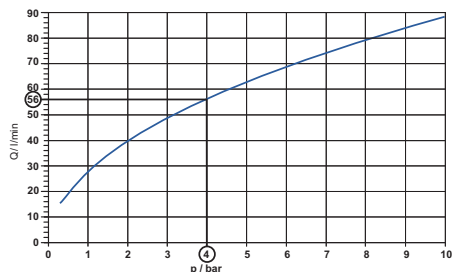
3.1 Tekniske data

Medier	
Medie:	Vand Uden aggressive, abrasive og faste komponenter
Strømningshastighed:	op til 4 m ³ /h, 1,1 l/s
Løftehøjde:	op til 43 m
Trykværdier	
Opstartstryk p _u :	2,5 bar
Maks. Systemtryk p _d :	6 bar
Maks. indgangstryk:	4 bar
Driftstemperaturer	

Maks. medium temperatur:	35 °C
Specifikationer	
Indløbsvolumen ved 4 bar:	< 1 l/s
Forsyningsspænding:	230 V AC ± 10%, 50 Hz
Strømforgbrug i standbytilstand:	2,5 - 3 W
Maks. strømforgbrug:	800 W
Pumpe:	Single-phase, a.c. motor 230V, with built-in circuit protector Direct online starting Thermal class F
Beskyttelsesklasse:	IP44
Vægt CBU uden vand:	ca. 22 kg
fyldt med vand:	ca. 35 kg
Vægt membran trykexpansionsbeholder	
uden vand:	ca. 2,4 kg
fyldt med vand:	ca. 5 kg

3.2 Pumpeudgang

3.3 Flowkarakteristik for indløbsventilen



Værdier for forventede støjniveauer

Støjniveauer baseret på systemets pumpedata resulterer i næsten 55 dB(A).

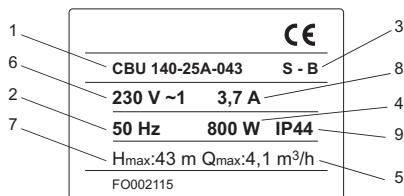
Installationstype

Fast installation

3.4 Godkendte omgivende betingelser

Omgivende temperatur 5 °C - 40 °C
 Relativ luftfugtighed maks. 55 % r.h.

3.5 Typemærkat



1	Serie	6	Mærkespænding
2	Frekvens	7	maks. strømindgang
3	Serienummer	8	maks. løftehøjde
4	Effektudgang	9	Beskyttelsesklasse
5	maks. tilførselshastighed		

Nøgle til serienummer

Kalenderår	2009	2010	2011	2012	2013
1. halvår	S-U	S-W	S-Y	S-A	S-C
2. halvår	S-V	S-X	S-Z	S-B	S-D

3.6 Version

Plug-in klar Trykforøgeranlæg/tilbagestrømnings sikring, der består af:

- Selvsugende flertrinscentrifugalpumpe
- Overvågnings- og styreenhed til centrifugalpumpen
- System control

- Indløbstank med integreret drikkevandsindløb via mekanisk svømmerventil og frit udløb iht. DS/EN 1717
- Fastgørelsessæt til vægmontering, bestående af skruer, dyvler og monteringsbeslag
- Fleksible tilslutningsslanger PN10 med DVGW-/TÜV-godkendelse og 10 års garanti til tryksiden samt drikkevandstilslutningen (længde ca. 30/50 cm)
- Membran trykexpansionsbeholder
- Installationsmanual med monteringskabelon

3.7 Oversigt

I en skrå tank designet til vægmontering er der en flertrinshøjtrykspumpe. Højtrykspumpen er tilsluttet via en bøjet slange til et indløb, der fører til forsyningstanken.

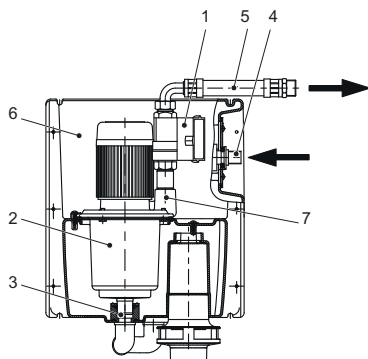


Fig. 3 CBU140-opbygning

1	Pumpestyringsenhed	5	Tryk medleveres
2	Pumpe	6	Tank
3	Indløb tank	7	Udluftningsventil
4	Drikkevandstilslutningen		

3.8 Anvendelsesformål

Trykforøgeranlægget må kun være i drift i de områder, der er beskrevet i de øvrige relevante dokumenter. Betjening af det kompakte trykforøgeranlæg i strid med formålet kan medføre farer for personer, anlæg, omgivelserne og miljøet.

- Tag kun det kompakte trykforøgeranlæg i drift, hvis det er i perfekt stand.
- Tag ikke det kompakte trykforøgeranlæg i drift, hvis det kun er delvist monteret.
- Det kompakte trykforøgeranlæg må kun bruges til at pumpe mediet som beskrevet i dokumentationen til den respektive version.
- Tag aldrig det kompakte trykforøgeranlæg i drift uden pumpemedie.

- Overhold værdierne for minimale pumpeydelse (for at undgå skader pga. overophedning, opbevaringsbeskadigelse, ...).
- Overhold værdierne for maksimale pumpeydelse (for at undgå skader pga. overophedning, skader på glideringsforseglingen, kavitationsskader, opbevaringsskader, ...).
- Foretag ikke drosling af indløb til det kompakte trykforøgeranlæg (for at undgå kavitationsskader).
- Andre driftsformer, der ikke er nævnt i dokumentationen, skal koordineres med producenten.

3.9 Anvendelse i strid med formålet

Det kompakte trykforøgeranlæg er ikke designet til udendørs brug. Temperatur, lys og fugt kan medføre fejlfunktioner og beskadige enheder.

- Betjen ikke trykforøgeranlægget udendørs.
- Betjen udelukkende det kompakte trykforøgeranlæg i overensstemmelse med formålet.
- Påfyld ikke aggressive eller antændelige medier i anlæggets medieledninger.
- Ingen mekanisk belastning på kabinetter (f.eks. ved placering af genstande eller som trin).
- Udfør ikke eksterne ændringer på enhedens kabinet. Mal ikke kabinetdele og skruer!
- Skil ikke det kompakte trykforøgeranlæg ad mere end nødvendigt i forbindelse med installation og vedligeholdelse.

3.10 Valgmuligheder

Besøg homecomfort.resideo.com/europe for indstillinger.

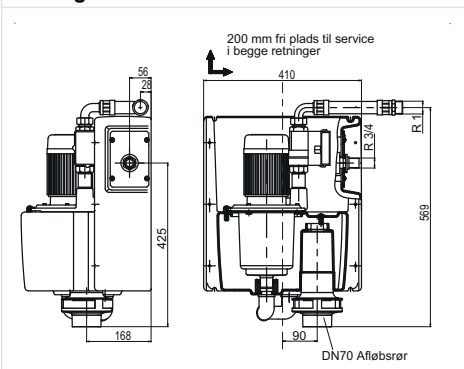
4 Funktion

Anlægget suger vandet til pumpen fra den indbyggede tank med en vandkapasitet på 13L. Niveaueet i tanken genopfyldes automatisk via indløbs svømmeventilen.

Styringen består af en trykbaseret pempekontrol, som automatisk aktiverer pumpen, når trykket på anlægget falder til under 2.5 bar (fabriksindstilling). Hvis der ikke er forbrug, stopper pumpen automatisk efter ca. 10 sekunder. Anlægget har indbygget tørløbssikring m/reset. Driftstrykket aflæses på det indbyggede manometer. Leveres komplet inkl. 8L hydroforbeholder, tilslutningslanger og vægbeslag.

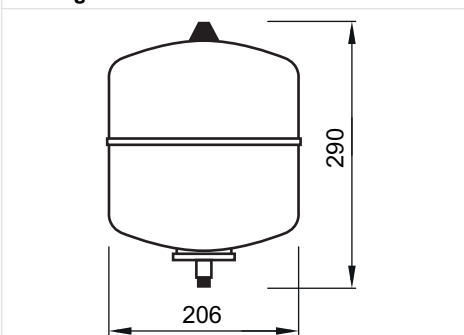
4.1 Konstruktionsdimensioner CBU

Oversigt



Membran trykexpansionsbeholder

Oversigt



5 Forsendelse

5.1 Kontrollér produktets stand ved levering

1. Kontrollér ved levering indholdet i alle pakker for skader.
2. I tilfælde af transportskade skal du anslå omfanget, dokumentere skaden og skriftligt underrette Resideo omgående.

5.2 Transport



FARE!

Anlægget vælter

Fare for at blive mast af anlægget!

- ▶ Anlægget må aldrig blive filtret ind i elektriske ledninger.
- ▶ Følg de lokale sikkerhedsforskrifter.
- ▶ Hold øje med vægten og tyngdepunktet.

- ▶ Brug kun passende og autoriserede transportmidler, som kran, gaffeltruck eller manuel løftevogn.



ADVARSEL!

Montering på ikke-niveau og ikke-strukturelle monteringssteder

Personskade og materiel skade!

- ▶ Sørg for tilstrækkelig trykstyrke i henhold til klasse C12/15 for cement i eksponeringsklasse X0 i henhold til EN 206-1.
- ▶ Installationsstedet skal være massivt, plant og horisontalt.
- ▶ Overhold vægtinformationen.



Det kompakte trykforøgeranlæg er fastgjort på træskinner og indpakket i folie til transport og midlertidig opbevaring. Alle tilslutnings-interfaces har beskyttelseslåg.

Anlægget er anbragt på en lille træpalle under teleskopkassen. Tilbehør findes i samme boks - se kassemærkaten. To transporthåndtag findes i kassen.

1. Ved udpakning: Klip emballagebåndene over.
2. Tag tilbehøret og den ekstra polstring ud af kassen.
3. Løft kassen opad.
 - Anlægget står alene på træpallen.
4. Kontrollér, at indholdet i pakken er komplet.
5. Kontrollér anlægget for transportskader.
6. Vælg de passende transportmidler.
7. Transportér anlægget til installationsstedet.

6 Montering

6.1 Generelle sikkerhedsinstrukser



FARE!

Fare for personskade på grund af elektrisk spænding.

Høj chokstrøm og forbrændinger fra direkte og indirekte kontakt med strømførende dele.

Sluk for strømforsyningen, inden det kompakte trykforøgeranlæg monteres, og sørg for, at den ikke kan tændes igen.

- ▶ Fejltilslutning el-net
 - Skader på el-nettet, kortslutning!
 - Det elektriske system skal være i overensstemmelse med installationskravene iht. VDE 100 (dvs. elektriske stik med jord).
 - Det elektriske netværk skal være udstyret med en fejlstrømsafbryder til maks. 30 mA.
- ▶ Ikke tilsluttede eller forkert tilsluttede kabler
 - Fejlfunktioner, der truer sikkerheden for betjeningspersonalet.
 - Arbejde på elektriske installationer må kun udføres af specialuddannede elektrikere.

- ▶ Ukorrekt tilsluttede ledninger (f.eks. for lille bøjningsradius)
 - Gløder og ild fra kabler.
 - Arbejde på elektriske installationer må kun udføres af specialuddannede elektrikere.
- ▶ Strømførende kabelender og komponenter
 - Sørg for, at beskyttelsesjordsystemet er tilsluttet hele vejen igennem.



ADVARSEL!

Det kompakte trykforøgeranlæg er ikke designet til udendørs brug.

Påvirkninger fra temperatur, lys og fugt kan medføre fejlfunktioner og skader på enheder.

- ▶ Anvend ikke trykforøgeranlægget udendørs.
 - Fare på grund af ukorrekt installation
 - Personskade og materiel skade!
- ▶ Opgaver må udelukkende udføres af kvalificeret personale (se afsnit 1.10.1 Betjeningspersonale).



FORSIGTIG!

Beskadiget eller ukorrekt installeret kompakt trykforøgeranlæg.

Fejlfunktioner

- ▶ Udsæt ikke det kompakte trykforøgeranlæg for skader, og installer det kun, hvis det er rent og fuldt funktionsdueligt.
- ▶ Installer det kompakte trykforøgeranlæg i overensstemmelse med de beskrevne anvisninger.
- ▶ Installer det uden spænding og bøjende belastning.
- ▶ Tilslutning af for bøjet kabel
 - Defekt system på grund af upassende belastning af anlægget
 - Reduktion af levetiden!
 - Installer tilslutningskabel med nulpotential. Ingen belastning må tilsluttes nogen af tilslutningerne eller anlægget.
- ▶ Drikkevandsindløb på maks. 4 bar overskredet
 - Defekt system på grund af upassende belastning
 - Installer trykreduktionsventil inden anlægget for at sikre, at der ikke tilføres et fortryk på mere end 4 bar fra drikkevandsnetværket.

6.2 Installation i overensstemmelse med EN1717

Placer det kompakte trykforøgeranlæg i et teknisk center eller i et frostfrit, godt ventileret, aflåseligt rum, der ikke anvendes til andet. Farlige gasser må aldrig slippe ind i installationsrummet. En tilstrækkeligt dimensioneret afvandingsforbindelse (tømmestuds eller lignende) er påkrævet (overhold EN 12056).

Brugbar volumen i tanken	Afvandingskapacitet
13 l	5,4 m ³ /h

Tabel 6: Anvendelig volumen/afvandingskapacitet

i Brug ikke det kompakte trykforøgeranlæg nær stuer og soveværelser.

6.3 Inspektion inden montering

Kontrollér følgende før montering:

- I henhold til specifikationerne på typemærket er systemet velegnet til elforsyningsnettet.
- Mediet, der skal pumpes, er i overensstemmelse med det tilladte pumpemedie
- Ovennævnte sikkerhedsinstrukser er overholdt.
- Installationsrummet er tørt, uden frost og godt ventileret.

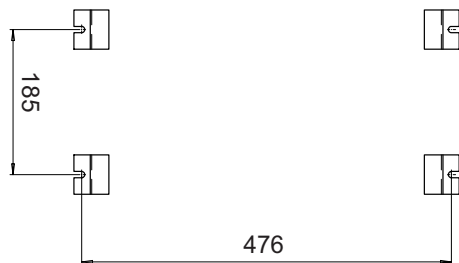
6.3.1 Installationssted

i Vælg ideelt set en ydervæg til montering. Væggen skal kunne klare 4 dyvler med Ø 10 mm og bære anlæggets vægt (ca. 35 kg, når det er fyldt med vand).

6.4 Installation af det kompakte trykforøgeranlæg

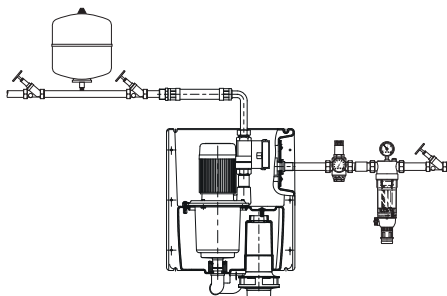
i Sørg for plads til betjenings- og vedligeholdelsesopgaver.

1. Fjern emballagen, inden anlægget installeres.
2. Markér de 4 monteringspunkter ved hjælp af den medfølgende boreskabelon.



3. Bør huller (4 x Ø10 mm).
4. Indsæt passende, velegnede dyvler.
 - de medfølgende dyvler må kun monteres i beton- og helstensmure.
5. Monter og juster begge de nederste opspændingsanordninger.
6. Sæt anlægget ind i begge de nederste opspændingsanordninger.
7. Monter de øverste opspændingsanordninger.

6.5 Installation af rørledningerne



Installer tilslutningskabel med nulpotential. Ingen belastning må tilsluttes nogen af tilslutningerne eller anlægget. Installer trykreduktionsventil inden anlægget for at sikre, at der ikke tilføres et førtryk på mere end 4 bar fra drikkevandsnetværket.

Det anbefales at installere en stopventil og et eksternt filter.

6.5.1 Drikkevandstilslutningen

1. Tilslut indløbstilslutningen R ³/₄" med fleksibel trykslange til drikkevandsledningen.
2. Fyld den skrå tank med vand.
3. Åbn drikkevandsledningen.
 - Når drikkevandsledningen er åbnet, fyldes tanken automatisk.

6.5.2 Trykmåletilslutning

- i** Undgå at bøje det fleksible forbindelsesrør for meget, da dette reducerer levetiden og udsætter tilslutningerne for upassende belastning. Installer den membranbaserede trykspansionsbeholder efter CBU'en for at undgå hyppig pumpeaktivering til små tilbagetrækningsmængder. En membranbaseret trykspansionsbeholder medfølger ved leveringen. Det anbefales at installere en stopventil.
4. Installer den membranbaserede trykspansionsbeholder i forbrugsvandledningen. Indstil førtrykket på 3,2 - 3,4 bar. Kun nitrogen må påfyldes!
 5. Slut anlægget til forbrugsvandledningen via den fleksible trykslange

6.6 Tilslutning af overløbet



FORSIGTIG!

Overløb ikke tilsluttet

Fare for oversvømmelse af monteringsrummet!

- Før overløbsledningen til et afløb med tilstrækkelig afvandingskapacitet (tilslutning DN150).

Et overløb til frit afløb som foreskrevet af EN 1717 er implementeret og har en nominal bredde på 70 mm for dette anlæg. Overløbet aktiveres, når drikkevandstilbageførslen lækker, og vandet overskrider det maksimale overløbspunkt.

i Manglende forhindring af afløbsvand på grund af spildevandssystemet betyder, at DVGW-godkendelsen bortfalder! Hvis anlæggets overløbstragt mangler, skal anlægget tilsluttes spildevandssystemet med en overløbsvandlås, der findes i tilbehøret. I den forbindelse skal det sikres, at overløbsvandlåsen ikke sluttes stramt til systemet, og at installationen udføres i overensstemmelse med DIN 1986-100, EN 1717.

Med en sikker tilslutning til spildevandssystemet anbefaler vi, at en vandlås installeres for at undgå ubehagelige lugte.

1. Tilslut overløbet.

6.7 Elektrisk tilslutning

6.7.1 Sikkerhedsinstrukser

FORSIGTIG!

Fare for personskade på grund af elektrisk spænding.

Høj chokstrøm og forbrændinger fra direkte og indirekte kontakt med strømførende dele.

- ▶ Sluk for strømforsyningen, inden det kompakte trykforøgeranlæg monteres, og sørg for, at den ikke kan tændes igen.

FORSIGTIG!

Ikke tilsluttede eller forkert tilsluttede kabler Fejlfunktioner, der truer sikkerheden for betjeningspersonalet.

- ▶ Arbejde på elektriske installationer må kun udføres af specialuddannede elektrikere.
- ▶ Overhold bestemmelserne i IEC 30364 (DIN VDE 0100) og for eksplosionssikring IEC 60079 (DIN VDE 0165).

FORSIGTIG!

Fejltilslutning el-net

Skader på el-nettet, kortslutning!

- ▶ Overhold kravene for tekniske installationer iht. de lokale elselskabers betingelser.

FORSIGTIG!

Ukorrekt tilsluttede ledninger (f.eks. for lille bøjningsradius)

Gløder og ild fra kabler.

- ▶ Arbejde på elektriske installationer må kun udføres af specialuddannede elektrikere.

FORSIGTIG!

Strømførende kabelender og komponenter

- ▶ Sørg for, at beskyttelsesjordsystemet er tilsluttet hele vejen igennem.

i Det anbefales at installere en motorbeskyttelsesenhed.

1. Sammenlign netspænding med specifikationerne på typemærkaten.
2. Isæt tilslutningsstikket i den elektriske stikdåse.

6.8 Verificering af vandstrømmen

Overvågningen af vandmangel må ikke aktiveres ved maksimal tilbagetrækning.

Men hvis overvågningen af vandmangel skulle blive aktiveret, skal tryksiden neddrøses. For maksimal tilbagetrækning og indløbsmængder, se 3 Beskrivelse.

7 Opstart

i Opgaver må udelukkende udføres af kvalificeret personale (se afsnit Kvalificeret personale).

7.1 Sikkerhedsinstrukser for opstart

FORSIGTIG!

Fare på grund af ukorrekt drift.

Fejlfunktioner

- ▶ Før montering og opstart skal både operatøren og det ansvarlige tekniske personale/driftspersonale have læst manualen, der til enhver tid skal opbevares sammen med trykforøgeranlægget.
- ▶ Overhold de lokale sikkerheds- og ulykkesbestemmelser, når det kompakte trykforøgeranlæg startes.

FORSIGTIG!

Beskadiget eller ukorrekt installeret kompakt trykforøgeranlæg.

Fejlfunktioner

- ▶ Kontrollér det kompakte trykforøgeranlæg for synlige tegn på beskadigelse; eliminer eventuelle defekter straks, eller orienter tilsynspersonalet. Det kompakte trykforøgeranlæg må kun betjenes, hvis det er i perfekt stand.

Hold dig tilstrækkeligt orienteret om

- udstyret til det kompakte trykforøgeranlæg
- funktionen af det kompakte trykforøgeranlæg
- de nære omgivelser til det kompakte trykforøgeranlæg
- foranstaltningerne at træffe i en nødsituation

7.2 Krav til opstart



FORSIGTIG!

Pumpe i tørdrift

Skader på pumpen/anlægget!

- ▶ Sørg for, at der ikke er vandmangel.



De ansvarlige myndigheder skal informeres inden opstart og test.

Inden opstart af det kompakte trykforøgeranlæg skal følgende punkter sikres:

- Det kompakte trykforøgeranlæg skal være tilsluttet alt beskyttelsesudstyr i henhold til forskrifterne.
- De relevante VDE og landespecifikke forskrifter skal overholdes og udføres.
- Drikkevandsindløbs tilslutning er sluttet til drikkevandsnetværket.
- Anlæggets elektriske tilslutninger er udført i overensstemmelse med bestemmelserne

7.3 Påfyldning og udluftning af Pumpe og tank

1. Indstil driftsmåde-kontakten til drikkevandsindløb i ca. 15 sekunder.
 - Anlægstanken fyldes automatisk.

7.7 Opstartskontrol

Arbejdsstrin		fuldført
1	Læs instrukserne.	
2	Kontrollér spændingsforsyningen og sammenlign med værdierne på typemærket.	
3	Kontrollér den mekaniske forbindelse til vandforsyningssystemet. Stram flangerne og skruerne.	
4	Fyld og ventiler det kompakte trykforøgeranlæg fra indgangssiden.	
5	Kontrollér genpåfyldningen.	
6	Kontrollér beskyttelse mod tørdrift	
7	Kontrollér driftsmåde	
8	Forhold vedrørende anlægget, som ikke er de samme som angivet i vores dokumentation eller ordredata, skal noteres i opstartsprotokollen.	
9	Udfyld opstartsprotokollen sammen med operatøren og vis operatøren, hvordan maskinen fungerer.	

8 Drift

Pumpen tændes automatisk under aftapningen.

Hvis der ikke er nogen aftapning, slukker pumpen automatisk. I tilfælde af vandmangel slukker den indbyggede beskyttelse mod tørdrift automatisk pumpen.

Med Reset-tasten kan fejlfunktionsmeldingen nulstilles.

Så længe der trykkes på Reset-tasten, er styreenheden i manuel driftsmodus.

2. Åbn udluftningsventilen med en skruetrækker eller en firkantnøgle.
3. Vent, indtil vand forlader udluftningsventilen.
 - Når vand forlader udluftningsventilen, er anlægget blevet udluftet.
4. Luk udluftningsventilen.
5. Aftap vand fra anlægget leveret af CBU'en
6. Tænd pumpen kortvarigt.

7.4 Tilkobling af anlægget

Anlægget tændes automatisk, når netstikket sættes ind.

7.5 Funktionskontrol

Anlægget er sat op, installeret, tilsluttet og startet i overensstemmelse med specifikationerne.

7.6 Kontrollér beskyttelse mod tørdrift

1. Luk indløbet i sugesiden.
 - Anlægget overvåges kontinuerligt for tørdrift af pumpestyringsenheden. Hvis der ikke føres tilstrækkeligt pumpemedie ind i anlægget (flowet stopper), slukker pumpestyringsenheden efter 10 til 15 sekunder. Ved at trykke på Reset-tasten kan opfølgningstiden genaktiveres.

9 Vedligeholdelse



For at overholde EN 806-5, skal inventar inspiceres og repareres årligt.

Da alt vedligeholdelsesarbejde skal udføres af et installationsfirma, vi anbefaler en planlagt vedligeholdelseskontrakt med et installationsselskab.

I henhold til EN 806-5 skal følgende foranstaltninger træffes: Opgaver må udelukkende udføres af kvalificeret personale (se afsnit 1.11 Krav til betjeningspersonalet).

9.1 Sikkerhedsinstrukser til vedligeholdelse



FARE!

Fare for personskade på grund af elektrisk spænding.

Høj chokstrøm og forbrændinger fra direkte og indirekte kontakt med strømførende dele.

- ▶ Sluk for strømforsyningen, inden det kompakte trykforøgeranlæg vedligeholdes, og sørg for, at den ikke kan tændes igen.



ADVARSEL!

Ikke-kvalificerede personer, der arbejder på det kompakte trykforøgeranlæg

Fare for personskade!

- ▶ Lad kun specielt kvalificeret personale udføre reparations- og vedligeholdelsesarbejde.



FORSIGTIG!

Ukorrekt vedligeholdt kompakt trykforøgeranlæg
Det kompakte trykforøgeranlægs korrekte funktion kan ikke længere sikres!

- ▶ Vedligehold det kompakte trykforøgeranlæg regelmæssigt.
- Følg altid sikkerhedsforskrifterne og instrukserne.
- Følg instrukserne i at arbejde med pumperne.



I tilfælde af skader, kontakt venligst vores serviceafdeling.

Ved at oprette en vedligeholdelsesplan holdes den påkrævede vedligeholdelse for at undgå dyre reparationer og opnå fejlfri og pålidelig drift af det kompakte trykforøgeranlæg.

9.2 Oversigt over inspektionsopgaver

Interval	Drift
halvårligt	Kontrollér pumpestyringsenhed
	Kontrollér beskyttelse mod tørdrift
	Kontrollér trykslanger
	Kontrollér glideringsforsegling

9.3 Inspektion



For at sikre at det kompakte trykforøgeranlæg kan anvendes pålideligt, skal de påkrævede inspektioner udføres rettidigt.

9.3.1 Kontrollér beskyttelse mod tørdrift



Interval: halvårligt

1. Luk drikkevandsindløbet
2. Aftap for at pumpe forsyningstanken tom.
 - Når forsyningstanken er tom, skal pumpestyringsenheden slukke pumpen inden for 10-15 sekunder. En genstart sker først, når der trykkes på Reset-tasten.

9.3.2 Kontrollér trykslanger



Interval: halvårligt

1. Kontrollér trykslangerne for lækager og beskadigelse af metalflætningen.
 - Slangerne skal udskiftes i tilfælde af lækager eller alvorlig beskadigelse af metalkappen.

9.3.3 Kontrollér pumpestyringsenhed



Interval: halvårligt

1. Aftapning af vand
2. Sørg for, at der ikke er nogen aftapning.
3. Pumpen skal slukke efter ca. 10-15 sekunder, efter aftapningen er stoppet.

9.3.4 Kontrollér glideringsforseglinglækage



Interval: halvårligt



En let slitage på glideringsforseglingen er uundgåelig og accelereres af slibende partikler i pumpemediet.

1. Kontrollér for lækager i området mellem motor og pumpehuset.
2. I tilfælde af lækage skal glideringsforseglingen udskiftes.
 - Udskiftningen bør udføres af teknisk personale fra Resideo.

9.3.5 Kontrollér forbelastningstrykket på den membranbaserede trykexpansionsbeholder



Interval: halvårligt

1. Fjern beskyttelseslåget.
2. Kontrollér forbelastningstrykket. Indstil det om nødvendigt på 3,2-3,4 bar.

9.4 Vedligeholdelse



Vedligeholdelse bør udføres af teknisk personale fra Resideo.

10 Fejlfinding

i I garantiperioden skal producenten konsulteres, inden der udføres vedligeholdelsesarbejde på anlægget (kun arbejde, der er nødvendigt for opstart og vedligeholdelse). Manglende overholdelse vil medføre tab af erstatningskrav.

Fejl	Mulig årsag	Eliminering	af	
Pumpen kører, men suger ikke	Pumpen er ikke fuld	Fyld pumpe	Bruger	
	Tankindløb lukket	Åbn tankindløb	Bruger	
Pumpen tænder og slukker hyppigt	Utæt vandhane	Tæt vandhanen	Bruger	
Pumpen kører, tilførselshastigheden eller trykket er ikke tilstrækkeligt	Pumpen trækker luft ind	Sugeledningskontrol	Bruger	
	Pumpen slukker under drift og indikerer fejlfunktion	Strømafbrydelse eller underspænding	Kontrollér strømforsyningen	Bruger
		Termokontakten er udløst på grund af overophedning	Kontrollér, at pumpen bevæger sig frit	Service
	ELCB (fejlstømsafbryder) er udløst	Få isolationsmodstanden undersøgt af en uddannet elektriker	Service	
Anlægget tænder ikke	Pumpestyringsenheden indikerer fejlfunktion	Tryk på Reset-tasten, eller frakobl netspændingen	Bruger	
Anlægget slukker ikke	Fremmedlegemer i pumpestyringsenheden	Rengør pumpestyringsenhed og udskift om nødvendigt	Service	
Systemet er for støjende	Pumpen ligger mod sikkerhedsskruerne	Juster pumpen manuelt, så pumpen ikke ligger mod skruerne	Bruger	
Tankoverløb	Kontaminering i ventil	Fjern skidt/kalk i ventilen, og udskift svømmeren om nødvendigt	Service	

10.1 Tiltag til fjernelse af overtryk

10.1.1 Udvidelse af indløbsledningen

Ifølge EN 806-5 skal en indvendig rørdiameter på mindst 20 mm vælges ved mængder på $> 0,5$ l/s.

10.1.2 Indstilling af trykreduktionsventil

Hvis et statisk tryk på 5 bar kan aflæses på trykmåleren, og trykket falder til 2,5 bar, når ventilen åbnes, skal det statiske tryk sænkes med 1 bar. Overtryk sker ved trykforskelle, der er større end 2 bar.

10.1.3 Neddrose overtryk

Hvis en stopventil eller trykreduktionsventil er installeret i drikkevandsledningen inden anlægget, skal den neddrosls, indtil overtrykket forsvinder. Ulempen ved denne metode er de små tilførselsmængder. Det skal undersøges, om tilførselsmængden er tilstrækkelig til normal brug.

Overvågningen af vandmangel må dog ikke aktiveres ved maksimal tilbagetrækning. Men hvis overvågningen af vandmangel skulle blive aktiveret, skal siden efter anlægget også undertrykkes.

10.1.4 Membranbaseret trykexpansionsbeholder

Installer en 8l - membranbaseret trykexpansionsbeholder i linjen foran anlægsindgangen. Med denne beholder mindskes alvorlige trykfald fra tynde ledninger, og overtryk rummes, uden at mængden neddrosls.

11 Nedlukning, afmontering, genstart

11.1 Nedlukning af det kompakte trykførøgeranlæg



FORSIGTIG!

Fare for personskade på grund af elektrisk spænding.

Høj chokstrøm og forbrændinger fra direkte og indirekte kontakt med strømførende dele.

- ▶ Sluk for strømforsyningen, inden det kompakte trykførøgeranlæg slukkes, og sørg for, at den ikke kan tændes igen.

1. Frakobl anlægget fra den elektrisk strømforsyning, og sikr det mod at blive startet.
2. Afmonter anlægget korrekt.
3. Luk drikkevandsindløbet og trykledningen.
4. Skyl anlægget korrekt.
5. Lad anlægget aftappe.

11.2 Genstart af det kompakte trykforøgeranlæg

Overhold procedurene i kapitlet 7

12 Opbevaring

12.1 Korttidsopbevaring

Korttidsopbevaring er mulig uden yderligere forberedelse, hvis de angivne omgivelsesbetingelser overholdes.

12.2 Opbevaring/sikring



FORSIGTIG!

Skader under opbevaring forårsaget af frost, fugt, snavs, UV-stråler eller skadedyr

Korrosion/tilsmudsning af anlægget!

- ▶ Beskyt anlægget mod frost, opbevar det ikke udendørs.



FORSIGTIG!

Fugtige, snavsede eller beskadigede åbninger og forbindelsesstykker

Fare for lækager og beskadigelse af anlægget!

- ▶ Afdæk kun åbninger i anlægget under monteringen.

12.3 Opbevaringsbetingelser

Opbevaringssted	lukket rum, tørt og støvfrit
Omgivende temperatur	5°C til 40°C (inkl. strømforsyningsenhed)
Relativ luftfugtighed	maks. 50 % r.h.

13 Bortskaffelse

De lokale forskrifter for korrekt genbrug hhv. bortskaffelse skal observeres!

14 Reservedele

Besøg homecomfort.resideo.com/europe for tilbehør.

15 Opstartsprotokol

Følgende såkaldte Resideo kompakte trykforøgeranlæg blev dags dato overdraget af underskriverne, autoriseret Resideo kundeservicepersonale, og denne protokol blev skrevet

1. Kompakt trykforøgeranlæg

Serie _____
 Størrelse: _____
 Serienummer _____
 Ordrenummer _____

2. Kundens lokalitet/driftssted

Kunde	Driftssted
Navn _____	_____
Adresse _____	_____
_____	_____

3. Driftsdata henviser til kredsløbsdiagram for yderligere data

Opstartstryk	pE bar	_____
Overvågning af forladningstrykket	pFør - x	_____
Indstillingsværdi for forladningstrykkets kontakt		_____
Slukningstryk	pA bar	_____
Forladningstryk	pFør bar	_____
Forladningstryk tank	pFør bar	_____

4. Vigtige bemærkninger

Ifølge DVGW Process Sheet W 314 er virksomheden, der driver anlægget, forpligtet til at informere det kompetente vandforsyningselskab om ibrugtagningen af anlægget.

Hvis anlægget også betjenes med trykbeholdere i klasse III/IV i henhold til bestemmelserne for trykbeholdere, skal TÜV også informeres.

Driftsselskabet eller deres kunde erklærer herved at være fuldt uddannet i drift og vedligeholdelse af det kompakte trykforøgeranlæg. Kredsløbsdiagrammerne og instrukserne blev også leveret.

Defekter konstateret under opstart

Fejl 1

Navnet på Resideo-kunden

By

Planlagt eliminering

Navnet på leverandøren og entreprenøren

Dato

16 Erklæring om ikke-indsigelse

Type

Ordrenummer/Ordre varenummer³⁾ _____

Leveringsdato _____

Anvendelsesområde _____

Pumpet medie³⁾ _____

Sæt et flueben, hvis det er relevant³⁾:



radioaktiv



eksplosiv



ætsende



giftig



sundhedsfarlig



biologisk farlig



let antændelig

uskadelig

Årsager til returneringen³⁾ _____

Noter: _____

Systemet/tilbehøret skal tømmes omhyggeligt og rengøres udvendigt og indvendigt.

- Der kræves ingen yderligere sikkerhedsforanstaltninger til videre håndtering.
- Følgende sikkerhedsforanstaltninger ang. skyllemiddel, resterende væsker og bortskaffelse af disse er påkrævet:

Vi garanterer, at ovenstående oplysninger er korrekte og fuldstændige, og at levering sker i overensstemmelse med lovkrav.

By, dato og underskrift

Adresse

Firmastempel

17 Vedligeholdelsesdokumentation

Resideo			
74821 Mosbach Germany			
Kompakt trykforøgeranlæg			
Ifølge de standardmæssige krav for drikkevand kræver dette kompakte trykforøgeranlæg hyppig vedligeholdelse, der skal udføres af autoriseret personale. Arbejdet skal dokumenteres efterfølgende. Dette kompakte trykforøgeranlæg er underlagt standarderne for drikkevand og disses retningslinjer for vedligeholdelse, og det skal vedligeholdes regelmæssigt af kvalificeret personale. Resultaterne skal dokumenteres.			
Dato	Driftsvirksomhed	Navn	Underskrift

1 Sikkerhetsregler

1. Følg monteringsinstruksene.
2. Bruk utstyret
 - i henhold til tiltenkt bruk
 - i god stand
 - ta hensyn til sikkerheten og farerisikoen.
3. Merk at ventilen utelukkende er beregnet på bruk som beskrevet i disse monteringsveiledningene (se 3.1 Tekniske data). All annen bruk ansees som ikke tiltenkt bruk og vil oppheve garantien.
4. All montasje, ferdigstilling, vedlikehold og driftsinnstillinger skal utføres av kompetent og autorisert personell.
5. Få utbedret feil som setter sikkerheten i fare, med en gang.

1.1 Sikkerhetsinstruksjoner i denne håndboken



FARE!

Steder med dette skiltet kjennetegner at død, alvorlige personskader eller store materielle skader vil oppstå hvis de nødvendige forholdsreglene ikke blir fulgt!



ADVARSEL!

Steder med dette skiltet kjennetegner at dødsfall, alvorlige personskader eller store materielle skader kan oppstå hvis de nødvendige forholdsreglene ikke blir fulgt!



FORSIKTIG!

Steder med dette skiltet kjennetegner at små personskader eller materielle skader kan oppstå hvis de nødvendige forholdsreglene ikke blir fulgt!



Steder med dette skiltet gir teknisk informasjon og råd om bruk, slik at skader på maskinen kan unngås. Dette symbolet er ikke en sikkerhetsindikasjon.



Steder med dette skiltet gir informasjon om mulige farer for miljøet



Vær oppmerksom på, at et sikkerhetssymbol aldri kan erstatte selve teksten i sikkerhetsregelen - hele teksten i sikkerhetsregelen må leses grundig!

1.2 Generelle sikkerhetsregler

Denne håndboken inneholder grunnleggende instruksjoner som skal observeres under transport, montering, oppstart, drift, vedlikehold, driftstans, lagring og avfallshåndtering. Følgende sikkerhetsregler må overholdes når du bruker den kompakte trykkforsterkeren:

- Når du bruker den kompakte trykkforsterkeren, skal dataene, drifts- og bruksforholdene som er spesielt godkjent i teknisk datablad og bruksanvisningen overholdes.
- De tillatte grensene knyttet til trykk, temperatur, etc. som er nevnt i dokumentasjonen, skal aldri overskrides.
- Følg alle sikkerhetsregler samt driftsinstruksene i håndboken.
- Henvisninger som er festet direkte på systemet må følges og alltid holdes i fullstendig lesbar stand. Dette gjelder for eksempel for:
 - Sikkerhetsregler
 - Pil for rotasjonsretning
 - Tilkoblingsmarkeringer
 - Typeskilt
- Operatøren så vel som av den ansvarlige teknikeren / betjeningspersonalet må lese håndboken før montering og oppstart, og den må alltid oppbevares på stedet der den kompakte trykkforsterkeren er monteret.
- Installasjon og vedlikeholdsarbeid skal kun utføres av autorisert fagpersonale med egnet verktøy.
- Den kompakte trykkforsterkerens tekniske stand må kontrolleres regelmessig (minst en gang i året) av operatøren.
- De lokale forskriftene om sikkerhet og forebygging av ulykker må overholdes når du bruker den kompakte trykkforsterkeren.
- De generelle tekniske bestemmelsene skal følges ved planlegging av bruk og drift av enheten.
- Modifisering av den kompakte trykkforsterkeren er ikke tillatt og fører til tap av garantien.
- Etter et avbrudd i strøm- eller væskeforsyningen, må en definert eller kontrollert omstart av prosessen sikres.
- Operatøren er ansvarlig for samsvar med lokale lover og regler som ikke dekkes av håndboken.

1.3 Ytterligere sikkerhetsforskrifter

I særdeleshet må operatøren sørge for at

- Forskrifter om forebygging av ulykker samt sikkerhets- og driftsforskrifter
- Sikkerhetsforskrifter for håndtering av farlige stoffer
- Gjeldende standarder og lover

1.4 Ikke tillatte driftstyper

Grensene som er oppgitt i dokumentasjonen må alltid overholdes. En pålitelig funksjon av det leverte systemet er kun garantert når det brukes som forutsatt.

1.5 Restrisiko forbundet med håndtering av den kompakte trykkforsterkeren

Ved bruk av den kompakte trykkforsterkeren kan det oppstå farer og ugunstige påvirkninger

- Bare elektrikere kan utføre arbeid på elektrisk utstyr.
- for den kompakte trykkforsterkeren selv
- til annen eiendom.

Grunnlaget for en sikker og feilfri drift av den kompakte trykkforsterkeren, er kjennskap til reglene for sikkerhet og drift i denne håndboken.

1.5.1 Restrisiko forbundet med mekaniske farekilder

Under normal drift vil det ikke utgå noen fare fra mekaniske komponenter.

1.5.2 Restrisiko forbundet med væsker

Under normal drift vil det ikke utgå noen fare fra mekaniske komponenter.

Det kan utelukkende oppstå farer under følgende forhold.

Fareområde	Type fare	Redusere faren
Rørledninger	Skade gjennom høyt trykk	Rørledninger må frigjøres for trykk og medium før montering, vedlikehold, og driftsstans!

1.5.3 Restrisiko forbundet med elektriske installasjoner

Under normal drift vil det ikke utgå noen fare fra det elektriske utstyret knyttet til den kompakte trykkforsterkeren.

Det kan utelukkende oppstå farer under følgende forhold.

Fareområde	Type fare	Redusere faren
Skader fra kabler	Livsfare! Elektrisk støt på 230 / 400V fra elektrisk spenning	Jordingen av systemet må utføres på korrekt måte! Slå alltid av strømforsyningen og sikre mot at den kan slås på igjen under arbeid med vedlikehold og service! Overhold de gyldige forskriftene om forebygging av ulykker og sikkerhetsforskriftene for elektrisk utstyr!
Komponenter / undergrupper som medfører elektrostatisk risiko	Enheten inneholder elektroniske komponenter som reagerer følsomt overfor elektrostatisk utladning (ESD). Kontakt med elektrostatisk ladede personer eller gjenstander utgjør en fare for disse komponentene. I verste fall: de vil umiddelbart bli ødelagt eller ødelegges etter oppstart.	Overhold kravene i henhold til EN 100 015-1, for å redusere eller unngå skade gjennom støt av typen elektrostatisk utladning! Ikke berør elektroniske komponenter når strømforsyningen er på!

1.5.4 Restrisiko forbundet med biologiske farekilder

Under normal drift vil det ikke utgå noen biologisk fare fra den kompakte trykkforsterkeren.

Det kan utelukkende oppstå farer under følgende forhold.

Fareområde	Type fare	Redusere faren
Buffertank	Fare for mikrobiell forurensning	Rengjør buffertanken regelmessig!

1.5.5 Restrisiko forbundet med kjemiske farekilder

Under normal drift vil det ikke utgå noen kjemisk fare fra den kompakte trykkforsterkeren.

Det kan utelukkende oppstå farer under følgende forhold.

Fareområde	Type fare	Redusere faren
Bruk av rensemidler	Fare gjennom kontakt med eller ved å puste inn farlige væsker, gasser, røyk, damp eller støv	Bruk personlig verneutstyr Ta hensyn til sikkerhetsdatabladet fra produsentene av rensemidler!

1.5.6 Konsekvenser og farer som resulterer av manglende overholdelse av håndboken

- Hvis denne håndboken ikke følges, vil dette føre til tap av garantien og gjøre krav om skadeerstatning ugyldig.
- Manglende iakttagelse av håndboken kan for eksempel føre til følgende farer:
 - Fare for personer som er forårsaket av elektriske, termiske, mekaniske og kjemiske påvirkninger
 - Tap av viktige produktfunksjoner
 - Fare for miljøet forårsaket av lekkasje av farlige stoffer

1.6 Grunnleggende sikkerhetstiltak

1.6.1 Holde informasjon tilgjengelig

Denne håndboken må oppbevares. Det må sikres at alle personer som betjener den kompakte trykkforsterkeren har tilgang til håndboken til enhver tid.

1.6.2 For beskyttelse av miljøet



Ved drift eller service på den kompakte trykkforsterkeren, må forskriftene som vedrører avfallsforebygging og korrekt gjenvinning eller deponering

Vær spesielt oppmerksomhet på at materialer og stoffer som er farlige for grunnvannet, slik som fett, oljer, kjølemidler, flytende rensedmidler basert på løsemidler, etc. ikke forurenser jorden eller får tilgang til kloakksystemet. Disse materialene må samles opp i egnede beholdere, lagres, transporteres og kasseres på forsvarlig måte.

1.6.3 Endringer på den kompakte trykkforsterkeren

Hvis du bruker reservedeler fra andre produsenter, er det ingen garanti for at disse er utformet og konstruert for å tilfredsstille kravene som stilles til dem, eller om de er i samsvar med sikkerhetsforskriftene. Hvis du bruker reservedeler fra andre produsenter, er det ingen garanti for at disse er utformet og konstruert for å tilfredsstille kravene som stilles til dem, eller om de er i samsvar med sikkerhetsforskriftene.

Av sikkerhetsmessige grunner er det ikke tillatt å gjøre uautoriserte endringer på den kompakte trykkforsterkeren. Deler og spesialutstyr som ikke er levert av Resideo, er heller ikke autorisert av Resideo for bruk.

1.7 Operatørens plikt til aktsomhet

Denne kompakte trykkforsterkeren ble utformet og konstruert i henhold til en risikovurdering og etter nøye utvalg av de relevante harmoniserte standarder, samt i henhold til ytterligere tekniske spesifikasjoner. Den er dermed i samsvar med beste praksis og garanterer høyeste sikkerhetsstandard. Dette sikkerhetsnivået kan bare oppnås under driftspraksis dersom alle nødvendige sikkerhetstiltak er tatt. Det er operatøren av den kompakte trykkforsterkeren som skal planlegge tiltak og sørge for at de forebyggende tiltakene gjennomføres.

I særdeleshet må operatøren sørge for at

- den kompakte trykkforsterkeren bare brukes som forutsatt
- den kompakte trykkforsterkeren kun brukes når den er i en god og forsvarlig driftstilstand.
- håndboken skal alltid holdes leselig og den må oppbevares på oppstillingsstedet sammen med den kompakte trykkforsterkeren.
- den kompakte trykkforsterkeren bare monteres, oppstartes, drives, vedlikeholdes og stenges av tilstrekkelig kvalifisert og autorisert personale.
- dette personalet blir jevnlig instruert om alle relevante spørsmål angående arbeidssikkerhet og miljøvern, og også har lest og forstått håndboken og spesielt sikkerhetsreglene den inneholder.
- ingen av sikkerhets- og varselskiltene som er festet til den kompakte trykkforsterkeren er fjernet og at alle holdes leselige.
- en risikovurdering (i henhold til forskriften om sikkerhet på arbeidsplassen, § 5) skal utføres for å avdekke ytterligere farer som kan oppstå fra de spesielle arbeidsforhold på stedet hvor den kompakte trykkforsterkeren drives.
- all ytterligere informasjon og sikkerhetsregler som oppstår fra risikovurderingsprosessen skal sammenfattes i en driftsanvisning (i samsvar med forskriften om arbeidsutstyr § 6).
- dreneringsrørene er tilstrekkelig dimensjonert

1.8 Sikkerhetsregler for operatør / betjeningspersonale

- Unngå farer forårsaket av elektrisk energi (for nærmere opplysninger, se landet spesifikke forskrifter og/eller de lokale elektrisitetssverkenes forskrifter).

1.9 Sikkerhetsinstruksjoner for vedlikehold, inspeksjon og montering

- Endringer eller ombygging på systemet er kun tillatt med samtykke fra produsenten.
- Bruk bare originale reservedeler eller reservedeler som er godkjent av produsenten.

- For skader som måtte oppstå ved bruk av reservedeler som ikke er originale, utelukkes ethvert erstatningsansvar.
- Utfører service på systemet kun når maskinen er slått av.
- Pumpehuset må være ved omgivelsestemperatur.
- Pumpehuset må være trykkavlastet og tomt.
- Prosedyrene som er beskrevet i håndboken for å stenge ned systemet, skal under alle omstendigheter overholdes.
- Sikkerhetsutstyr og verneinnretninger skal installeres igjen og aktiveres straks etter at arbeidet på systemet er fullført. Før du starter opp igjen, må du konsultere sjekklisten for oppstart.
- Hold uvedkommende personer (f.eks barn) borte fra systemet.

1.10 Krav til betjeningspersonale

1.10.1 Betjeningspersonale

Denne kompakte trykksystemet skal kun monteres, startes, vedlikeholdes, og stenges av personer som har fått opplæring i dette og er instruerte og autoriserte til å gjøre det.

I enkelte tilfeller kan opplæring arrangeres av produsenten, hvis forespørsel om dette kommer fra operatøren.

Trening eller opplæring av personale til å betjene systemet, kan kun foretas under oppsyn fra spesialiserte teknikere.

Den relevante autorisasjon av personalet skal spesifiseres av operatørselskapet i form av en driftsinstruks.

Utover dette, er kreves det spesielle kvalifikasjoner for følgende oppgaver:

- Bare elektrikere kan utføre arbeid på elektrisk utstyr.
- Montering, vedlikehold, service og reparasjonsarbeid skal kun utføres av kvalifisert fagpersonale

De grunnleggende reglene om arbeidssikkerhet og forebygging av ulykker skal overholdes.

Kvalifisert personale

Med kvalifisert personale menes personer som er autorisert av ansvarlig sikkerhetsperson i kraft av sin utdanning/opplæring, erfaring og kunnskap om aktuelle standarder og forskrifter, regler for forebygging av ulykker og driftsbetingelser, til å utføre de nødvendige oppgaver samt identifisere og hindre mulige farer. Dette inkluderer nødvendige kunnskaper om førstehjelpstiltak og lokale ambulansetjenester og fasiliteter.

1.11 Personlig verneutstyr

Personlig verneutstyr er ikke nødvendig for å betjene den kompakte trykkforsterkeren.

2 Generell informasjon

Håndboken utgjør en del av serien og de versjonene som er nevnt på tittelsiden. Håndboken beskriver sikker og riktig bruk i alle driftsmåter.

Typeskiltet angir serie og størrelse, de viktigste driftsdata og bestillingsnummeret. Fabrikknnummeret/serienummeret beskriver/identifiserer systemet unikt og tjener dette formålet for alle videre ved forretningsmeddelelser.

For å opprettholde garantien, må du i tilfelle skade umiddelbart ta kontakt med nærmeste Resideo servicesenter.

2.1 I samvar med de følgende standardene

Pumpeenhet: Maskindirektivet 2006/42/EG

Pumpeenhet: Direktiv for magnetisk kompatibilitet 2004/108/EG

Frekvensomformer: Direktiv for magnetisk kompatibilitet 2004/108/EG

Frekvensomformer: Lavspenningsdirektivet 2006/95/EG

2.2 Garanti og ansvar

Som prinsipp skal de generelle salgs- og leveringsbetingelsene til Resideo Company gjelde. Garanti og ansvarskrav for personskader og materielle skader er utelukket hvis disse oppstår fra en eller flere av de følgende årsaker.

- Ikke-tiltenkt bruk av den kompakte trykkforsterkeren
- Feilaktig montering, oppstart, drift og vedlikehold av den kompakte trykkforsterkeren
- Manglende overholdelse av instruksjonene i håndboken angående transport, lagring, montering, oppstart, drift, vedlikehold og service av den kompakte trykkforsterkeren
- Uautoriserte konstruktive endringer på en kompakte trykkforsterkeren
- Feilaktig utførte reparasjoner
- Katastrofer grunnet virkningen av et fremmedlegeme eller forcé majeure

2.3 Lagring og perfekt stand

Håndboken er en del av den kompakte trykkforsterkeren og må alltid være komplett og tilgjengelig. Enhver instruksjon eller side som mangler må straks erstattes.

2.4 Illustrasjoner

Illustrasjonene er eksempler på en mulig versjon av den kompakte trykkforsterkeren, og kan enkelte tilfeller variere fra den aktuelle versjonen av den kompakte trykkforsterkeren.

2.5 Symboler

1. Starte en oppgavebeskrivelse
2. Neste arbeidstrinn
 - – Resultatet av en handling
- Liste over mange alternativer
- Referanse til andre dokumenter

**FARE!**

Farekilde

Konsekvens av manglende overholdelse

- Unggåelse

2.6 Andre relevante dokumenter

- Bruksanvisninger, kretsskjemaet og ytterligere dokumentasjon av ekstrautstyr og integrerte maskindeler
- Produktdatablad CBU140
- Driftsinstruks fra operatøren
- Datablader
- Samsvarserklæring

2.7 Ordliste**EN 1717**

Europeisk standard som spesifiserer tekniske regler for drikkevannsinstallasjoner.

Forventede støyverdier

Forventet støyutslipp, angitt her som lydtryknivå (SPL) i dB (A).

Ubetenkelighetserklæring

En ubetenkelighetserklæring er en erklæring om at systemet har blitt rengjort skikkelig, slik at deler som har vært i kontakt med mediet er ikke farlig for helse og miljø.

3 Beskrivelse

Hastighetsregulert kompakt trykkforsterker med en vertikal høytrykkspumpe som sikkerhetsanordning for å skille av drikkevann fra væske i kategori 5 i henhold til NS-EN 1717. Helautomatisk, fullt montert kompakt luftgapsenhet med modulær konstruksjon som omfatter et enkeltpumpesystem og en buffertank for hygienisk separasjon av drikkevann og væske i kategori 5 i henhold til NS-EN 1717, på en felles fundamentramme.

Den modulære utformingen gjør det mulig å skille moduler for installering i bygninger med begrenset plass.

Systemet slås på og av regulert av trykket,

strømningshastigheten styres via frekvensomformer..

3.1 Tekniske data

Media	
Medium:	Vann Uten aggressive, slipende og faste komponenter
Vannmengde:	opp til 4 m ³ /h, 1,1 l/s
Løftehøyde:	opp til 43 m
Trykkverdier	
Innkoblingstrykk, pumpe:	2,5 bar
Maks. systemtrykk p _d :	6 bar
Maks. inngangstrykk:	4 bar

Driftstemperaturer

Maks. vanntemperatur: 35 °C

Spesifikasjoner

Vannmengde ved 4 bar: < 1 l/s

Nettspenning: 230 V AC ± 10%, 50 Hz

Effektforbruk i stand-by-modus: 2,5 - 3 W

Maks. effektforbruk: 800 W

Drift: Enfase-motor 230 V AC, med innebygd kretsbeskyttelse, direkte start, termisk klasse F

Kapslingsgrad: IP44

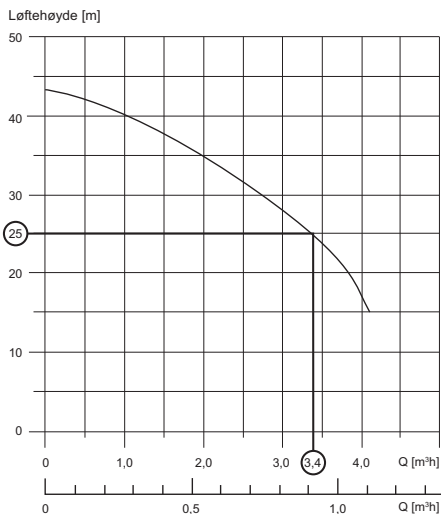
Vekt CBU uten vann: ca. 22 kg

fylt med vann: ca. 35 kg

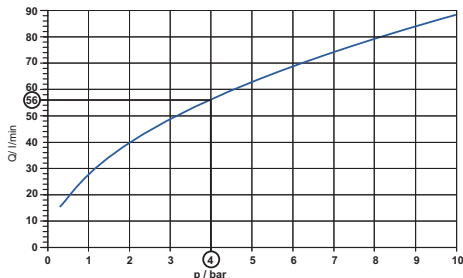
Vekt ekspansjonskar

uten vann: ca. 2,4 kg

fylt med vann: ca. 5 kg

3.2 Pumpeeffekt

3.3 Inntaksventilens strømningskarakteristikk



Forventede støyverdier

Data om støynivå basert på pumpende systemer: nesten 55 dB(A).

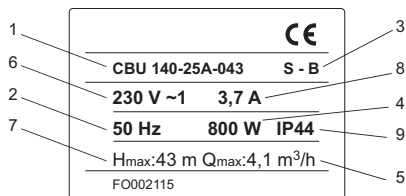
Installasjonstype

Fast installasjon

3.4 Anbefalte miljøforhold

Omgivelsestemperatur	5 °C - 40 °C
Relativ luftfuktighet	maks. 55 % r.f.

3.5 Typeskilt



1	Serie	6	Merkespenning
2	Frekvens	7	maks.
3	Serienummer		inngangseffekt
4	Effektutgang	8	maks. løftehøyde
5	maks.	9	Beskyttelsesklasse
	pumpemengde		

Nøkkel for serienummer

Kalenderår	2009	2010	2011	2012	2013
1. halvår	S-U	S-W	S-Y	S-A	S-C
2. halvår	S-V	S-X	S-Z	S-B	S-D

3.6 Versjon

Innpluggingsklar kompakt luftgapsenhet, bestående av:

- Selvsugende, flertrinns sentrifugalpumpe
- Overvåknings- og styreenhet til sentrifugalpumpen
- Systemkontroll

- Inntakstank med integrert drikkevannsinntak via mekanisk flottørventil og fritt utløp i henhold til NS-EN 1717
- Monteringssett til veggmontering, med skruer, veggplugg og monteringsbrakett
- Fleksible tilkoblingslanger av type PN10 med DVGW-/TÜV-godkjenning og 10 års garanti på trykksiden og drikkevannstilkoblingen (lengde ca. 30/50 cm)
- Ekspansjonskar
- Installasjonshåndbok med montasjemal

3.7 Oversikt

Det sitter en flertrinns høytrykkpumpe i en vinklet tank beregnet på veggmontering. Høytrykkspumpen er koblet til via et bøyd rør til et inntak som fører til innløpstanken.

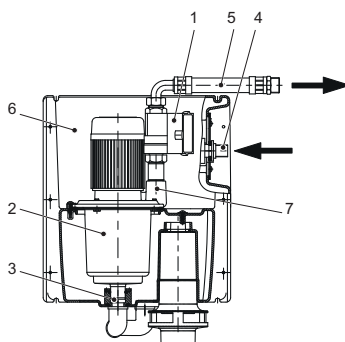


Fig. 4 CBU140-struktur

1	Pumpestyringsenhet	5	Utløstrykk
2	Pumpe	6	Tank
3	Innløpstank	7	Lufteventil
4	Drikkevannstilkobling		

3.8 Tiltenkt bruk

Den kompakte trykkforsterkeren skal kun brukes i slike områder som beskrevet i den relevante dokumentasjonen. Ikke-tiltenkt drift av den kompakte trykkforsterkeren kan føre til fare for personer, systemer, omgivelsene og miljøet.

- Den kompakte trykkforsterkeren skal kun brukes når den er i en god og forsvarlig driftstilstand.
- Den kompakte trykkforsterkeren skal ikke brukes hvis den er bare delvis montert.
- Den kompakte trykkforsterkeren skal bare brukes til å pumpe mediet som beskrevet i dokumentasjonen til den respektive versjon.
- Den kompakte trykkforsterkeren skal ikke brukes uten pumpemedium.

- Ta hensyn til verdiene for minste strømningshastighet (for å unngå skader på grunn av overoppheting, lagringsskader, ...).
- Ta hensyn til verdiene for maksimal strømningshastighet (for å unngå skader på grunn av overoppheting, skade på den mekaniske tetningen, kavitasjonsskader, lagringsskader, ...).
- Ikke strupe inngangen til den kompakte trykkforsterkeren (for å unngå kavitasjonsskade).
- Andre driftsmoduser, hvis de ikke er nevnt i dokumentasjonen, må rådføres med produsenten.

3.9 Ikke-tiltenkt bruk

Den kompakte trykkforsterkeren er ikke konstruert for utendørs bruk. Temperatur, lys og fuktighet kan føre til feilfunksjoner og skade enheten.

- Den kompakte trykkforsterkeren skal ikke brukes utendørs.
- Den kompakte trykkforsterkeren skal bare brukes som forutsatt.
- Ikke fyll aggressivt eller brennbart medium inn i rørsystemet.
- Ingen mekanisk belastning på huset (for eksempel ved å plassere gjenstander på huset eller stå på det).
- Ikke foreta noen eksterne endringer på huset. Husdeler og skruer skal ikke males!
- Den kompakte trykkforsterkeren skal ikke demonteres mer enn det som er nødvendig for å utføre installering og vedlikehold.

3.10 Valgfritt tilleggsutstyr

Gå inn på homecomfort.resideo.com/europe for ekstrautstyr

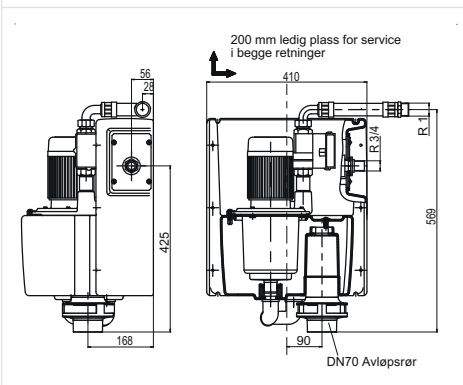
4 Funksjon

Pumpen suger opp vann fra buffertanken og videre ut på anlegget. I denne tanken kan det lagres ca. 13 liter vann, som automatisk fylles og etterfylles fra drikkevannsnettet via flottørventilen i inntaket.

Pumpen styres ved hjelp av en trykkbryter i styreenheten ved utløpet. Den opprettholder det angitte trykket ved å koble ut pumpen mens den suger. Fabrikkinnstillingen på trykkbryteren er 2,5 bar. For å begrense antall på/av-sykluser går pumpen 10 sekunder videre etter hver gang trykkbryteren blir aktivert. Apparatet er beskyttet mot å gå tørt. For å hindre tilbakestømming inn i pumpen har den en tilbakeslavsventil i ledningen. Et manometer viser utløpstrykket.

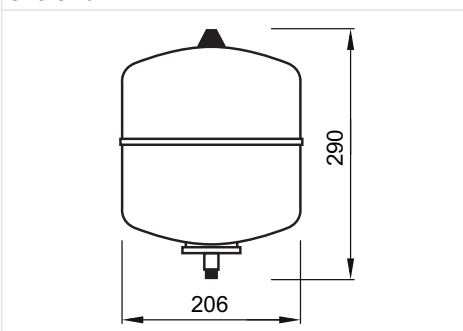
4.1 Byggemål CBU

Oversikt



Ekspansjonskar

Oversikt



5 Forsendelse

5.1 Kontroller tilstanden etter levering

1. Ved levering skal innholdet i hver pakke sjekkes for skader.
2. I tilfelle transportskader skal omfanget vurderes, skader dokumenteres og Resideo skal umiddelbart varsles skriftlig.

5.2 Transport



FARE!

Velting av systemet

Fare for å bli knust av systemet!

- ▶ Pass på at systemet ikke blir viklet inn i elektriske ledninger/floker.
- ▶ Lakta de lokale sikkerhetsreglene.
- ▶ Lakta vekten og tyngdepunktet.
- ▶ Bruk bare egnede og godkjente transportmidler, for eksempel gaffeltruck eller håndløfteutstyr.

**ADVARSEL!**

Installasjon på steder som ikke er i plan, og på ikke-bærende oppstillingssteder

Fare for personskader og materielle skader!

- ▶ Sikre tilstrekkelig trykkfasthet i henhold til klasse C12 / 15 for betong i eksponeringsklassen X0 i henhold til EN 206- 1.
- ▶ Oppstillingsstedet må være fast, jevnt og horisontalt.
- ▶ Iakttatt informasjon om vekt.



Den kompakte trykkforsterkeren er festet på en pall/trebrett og er pakket inn i folie for transport og midlertidig oppbevaring. Alle tilkoblingsgrensesnitt er utstyrt med beskyttelsesdeksler.

Systemet står på en liten trepall under teleskopkassen. Tilbehør er pakket i den samme kassen - se etiketten på kassen. Det finnes to bærehandtak i kassen beregnet på transport.

1. Kapp emballasjestrripsene når du skal pakke ut.
2. Ta tilbehøret og den ekstra polstringen ut av kassen.
3. Løft opp kassen.
 - Systemet står støtt på en trepall.
4. Kontroller at alt innholdet er i kassen.
5. Kontroller om systemet har fått transportskader.
6. Velg riktig transportmåte.
7. Transport av systemet til oppstillingsstedet.

6 Montering

6.1 Generelle sikkerhetsregler

**FARE!**

Fare for personskader fra elektrisk spenning. Farlig kroppsstrøm og brannskader fra direkte og indirekte kontakt med spenningsførende deler. Koble anlegget spenningsfritt før du monterer den kompakte trykkforsterkeren og sikre den mot gjeninnkobling.

- ▶ Defekt nettilkobling
 - Skade på strømforsyningsnettet, kortslutning!
 - Det elektriske systemet skal oppfylle kravene i VDE 100 (f.eks. jordete stikkontakter).
 - Strømmettet skal være utstyret med jordfeilbryter med maks. 30 mA utløsningsstrøm.
- ▶ Ikke tilkoblede eller feilaktig tilkoblede kabler.
 - Funksjonsfeil som setter betjeningspersonalets sikkerhet i fare.
 - Arbeid på elektrisk utstyr skal kun utføres av spesialiserte elektrikere.
- ▶ Feilaktig tilkoblede ledningstråder og ledninger (for eksempel for liten bøyeradius)
 - Uliming og brann i kabler.

Arbeid på elektrisk utstyr skal kun utføres av spesialiserte elektrikere.

- ▶ Spenningsførende kabelender og komponenter
 - Forviss deg om at vernejordingen er tilkoblet helt igjennom.

**ADVARSEL!**

Den kompakte trykkforsterkeren er ikke konstruert for utendørs bruk.

Innvirkning fra temperatur, lys og fuktighet kan føre til feilfunksjoner og skade enheter.

- ▶ Den kompakte trykkforsterkeren skal ikke brukes utendørs.
 - Fare gjennom feilaktig installasjon
 - Fare for personskader og materielle skader!
- ▶ Oppgaver skal kun utføres av kvalifisert personale (se kapittel 1.10.1 Betjeningspersonale).

**FORSIKTIG!**

Skadet eller feilaktig installert kompakt trykkforsterker.

Funksjonsfeil

- ▶ Du må ikke ødelegge den kompakte trykkforsterkeren og bare installere den hvis den er ren og funksjonsdyktig.
- ▶ Installer den kompakte trykkforsterkeren i henhold til instruksene som er beskrevet.
- ▶ Utfør installasjonen uten spenning og bøyemomenter.
- ▶ Tilkoblingskabelen er for mye bøyd
 - Systemfeil pga. feil belastning på systemet
 - Redusert levetid!
 - Installer tilkoblingskabelen uten spenning tilkoblet.
 - Ingen tilkoblinger eller systemet skal ha mekaniske belastninger.
- ▶ Trykket på drikkevannsinntaket høyere enn maks. tillatt 4 bar
 - Systemfeil pga. feil belastning
 - Installer trykkreduksjonsventilen foran systemet for å sikre at trykket fra drikkevannsnettet overskrider 4 bar.

6.2 Installasjon i henhold til EN 1717

Plasser den kompakte trykkforsterkeren i en teknikkentral, eller i et frostfritt og godt ventilert, låsbart rom som ikke brukes til noe annet. Farlige gasser må aldri komme inn i installasjonsrommet. En tilstrekkelig dimensjonert anslutning til avløp (tilkopling for drenering eller lignende) er påkrevd (overløp NS-EN 12056).

Nyttevolum tank	Avvanningskapasitet
13 l	5,4 m ³ /h

Tabell 6: Nytevolum/avvanningskapasitet

i Den kompakte trykkforsterkeren skal ikke brukes i nærheten av oppholdsrom og soverom.

6.3 Inspeksjon før montering

Kontroller følgende punkter før installasjon:

- Iht. spesifikasjonene på typeskiltet er anlegget egnet for strømmettet.
- Mediet som skal pumpes må være tillatt pumpemedium
- Ovennevnte sikkerhetsinstruksjoner er overholdt.
- Rommet hvor installasjon skal skje er tørt, frostfritt og godt ventilert.

6.3.1 Oppstillingssted

i Ideelt skal systemet monteres på en yttervegg. Det må være mulig å montere 4 veggplugger Ø 10 mm og veggen må tåle vekten av systemet (ca. 35 kg når fylt med vann).

6.4 Montering av den kompakte trykkforsterkeren

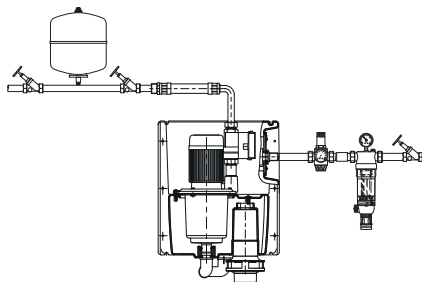
i Planlegg tilstrekkelig plass til drifts- og vedlikeholdsoppgaver.

1. Fjern emballasjen før montering av systemet.
2. Merk de fire festepunktene ved å bruke den vedlagte bormalen.



3. Borehull (4 x Ø10 mm).
4. Sett egnede plugger i riktig størrelse.
 - De vedlagte veggpluggene er kun beregnet for montering i betongvegger eller mursteinsvegger.
5. Monter og juster begge de nedre festene.
6. Sett systemet inn i begge de nedre festene.
7. Monter de øvre festene.

6.5 Installering av rørledninger



Installer tilkoblingskabelen uten spenning tilkoblet. Ingen tilkoblinger eller systemet skal ha mekaniske belastninger. Installer trykkreduksjonsventilen foran systemet for å sikre at trykket fra drikkevannsnettet overskrider 4 bar. Vi anbefaler at man monterer stoppkran og separat filter.

6.5.1 Drikkevannstilkoblingen

1. Koble en bøyelig trykkslange mellom inntakskoblingen R 3/4" og drikkevannsledningen.
2. Fyll den vinklede tanken med vann.
3. Åpne drikkevannsledningen.
 - Tanken fylles automatisk når drikkevannsledningen er åpnet.

6.5.2 Manometertilkobling

i Unngå å bøye bøyelige tilkoblingsslange for mye, da dette reduserer levetiden og utsetter koblingene for høy belastning.

For å unngå at pumpen aktiveres ofte for å pumpe kun litt vann, bør man installere en membran-trykkspansjonstank nedstrøms for CBU. Membran-trykkspansjonstanken er inkludert i leveransen. Vi anbefaler at man monterer stoppkran.

4. Installer membran-trykkspansjonstanken i forbruksvannledningen. Still fortrykket på 3,2 - 3,4 bar. Bruk kun nitrogen til fylling!
5. Bruk en bøyelig trykkslange for å koble systemet til forbruksvannledningen

6.6 Koble til overløp



FORSIKTIG!

Overløp ikke tilkoblet

Fare for oversvømmelse i installasjonsrommet!

- Før overløpsledningen til et avløp med tilstrekkelig awanningskapasitet (tilkobling DN150).

Det er implementert en overstrømningsanordning slik det er beskrevet i EN 1717. Denne har en nominell diameter på 70 mm i dette systemet. Denne overstrømmingen brukes når det lekker tilbakematet drikkevann og vannivået overskrider den maksimale overstrømningshøyden.

i Tilbakeslagsventil er ikke montert da dette vil føre til at avløpsvannsystemet vil miste sin DVGW-godkjenning! Hvis systemets overstrømningskanal mangler, må systemet kobles til avløpsvannsystemet med en overstrømnings-sifong som er inkludert i tilbehøret. Hvis man gjøre dette må man kontrollere at overløps-sifongen ikke er koblet stivt til systemet, og at installasjonen utføres iht. DIN 1986-100, EN 1717. For å sikre sikker tilkobling til avløpsvannsystemet anbefaler vi at man installerer en sifong, slik at man unngår ubehagelig lukt.

1. Koble til overstrømning.

6.7 Elektrisk tilkobling

6.7.1 Sikkerhetsregler



FORSIKTIG!

Fare for personskader fra elektrisk spenning. Farlig kroppsstrøm og brannskader fra direkte og indirekte kontakt med spenningsførende deler.

- ▶ Koble anlegget spenningsfritt før du monterer den kompakte trykkforsterkeren og sikre den mot gjeninnkobling.



FORSIKTIG!

Ikke tilkoblede eller feilaktig tilkoblede kabler. Funksjonsfeil som setter betjeningspersonalets sikkerhet i fare.

- ▶ Arbeid på elektrisk utstyr skal kun utføres av spesialiserte elektrikere.
- ▶ Overhold forskriften IEC 30364 (DIN VDE 0100), og foreksplosjonsvern IEC 60079 (DIN VDE 0165).



FORSIKTIG!

Defekt nettilkobling

Skade på strømforsyningsnettet, kortslutning!

- ▶ Overhold de tekniske bestemmelsene for tilknytning til det lokale elektrisitetsverket.



FORSIKTIG!

Feilaktig tilkoblede ledningstråder og ledninger (for eksempel for liten bøyradius)

Uliming og brann i kabler.

- ▶ Arbeid på elektrisk utstyr skal kun utføres av spesialiserte elektrikere.



FORSIKTIG!

Spenningsførende kabelender og komponenter

- ▶ Forviss deg om at vernejordingen er tilkoblet helt igjennom.



Vi anbefaler at man monterer motorvern.

1. Sjekk nettspenningen i forhold til spesifikasjonen på merkeskiltet.
2. Sett støpselet inn i kontakten.

6.8 Verifisering av vannstrømning

Vannstrømningsmonitoren skal ikke aktiveres når man tapper maksimalt med vann.

Hvis vannmangelmonitoren likevel skulle aktiveres, må man strupe trykksiden. For maksimal tappemengde og inntaksverdier henvises til 3 Beskrivelse.

7 Oppstart



Oppgaver skal kun utføres av kvalifisert personale (se kapittel Kvalifisert personale).

7.1 Sikkerhetsregler for oppstart



FORSIKTIG!

Fare pga. feilaktig drift.

Funksjonsfeil

- ▶ Før montering og oppstart må operatøren så vel som av den ansvarlige teknikeren / betjeningspersonalet lese håndboken, og den må alltid oppbevares på stedet der den kompakte trykkforsterkeren er montert.
- ▶ De lokale forskriftene om sikkerhet og forebygging av ulykker må overholdes når den kompakte trykkforsterkeren startes.



FORSIKTIG!

Skadet eller feilaktig installert kompakt trykkforsterker.

Funksjonsfeil

- ▶ Sjekk den kompakte trykkforsterkeren for åpenbare tegn på skader; du må utbedre eventuelle feil straks eller varsle inspeksjonspersonellet. Den kompakte trykkforsterkeren kun brukes når den er i en god og forsvarlig driftstilstand.

Informere deg tilstrekkelig om

- utstyret som følger med den kompakte trykkforsterkeren
- den kompakte trykkforsterkerens funksjon
- omgivelsene i nærheten av den kompakte trykkforsterkeren
- de tiltak som skal tas i en nødsituasjon

7.2 Nødvendig ved oppstart



FORSIKTIG!

Tørrkjøring av pumpe

Skader på pumpe/systemet!

- ▶ Kontrollere at det ikke mangler vann.



De ansvarlige myndighetene må informeres før oppstart og før testing

Før oppstart av av den kompakte trykkforsterkeren utføres, må følgende punkter ivretas:

- Alt verneutstyr som kreves av regelverket, må være koblet til den kompakte trykkforsterkeren.
- De relevante EL-forskriftene og landsspesifikke forskrifter må overholdes og være oppfylt.
- Koblingen på drikkevannsinntaket er koblet til drikkevannsnettet.
- Systemets elektriske tilkoblinger er utført iht. gjeldende bestemmelser

7.3 Fyll opp og luft pumpe og tank

1. Still drifts Bryteren på drikkevannstilførsel i ca. 15 sekunder.
 - Tanken på systemet fylles automatisk.
2. Åpne lufterventilen med en skrutrekker eller firkantnøkkel.
3. Luft til det kommer vann ut av lufterventilen.
 - Systemet er ventilt når det kommer vann ut av lufterventilen.

7.7 Sjekkliste for oppstart

Arbeidstrinn		Utført
1	Les instruksjoner.	
2	Kontroller spenningsforsyningen og sammenlign den med verdiene på typeskiltet.	
3	Sjekk de mekaniske koblingene til vannforsyningssystemet. Trekk til flenser og skruer.	
4	Fyll og luft ut den kompakte trykkforsterkeren fra inngangssiden.	
5	Sjekk oppfyllingen.	
6	Sjekk beskyttelse mot tørrkjøring.	
7	Kontrollere driftsmodusen	
8	Tilstander angående systemet som ikke er de samme som angitt i vår dokumentasjon eller bestillingsdata, må noteres i oppstartsprotokollen.	
9	Fyll ut oppstartsprotokollen sammen med operatøren og vis operatøren hvordan maskinen fungerer.	

8 Drift

Pumpen slår seg på automatisk når det tappes.

Pumpen stopper automatisk når det ikke tappes.

Den automatiske pumpeovervåkingen vil stoppe pumpen automatisk hvis det oppstår vannmangel.

Feilmeldingen kan tilbakestilles ved å trykke på Reset-knappen.

Styreenheten vil stå i manuell driftsmodus så lenge Reset-knappen er inntrykket.

9 Vedlikehold



For å oppfylle kravene i EN 806-5, skal vannarmaturer inspiseres ut utføres service på en gang per år. Da alt vedlikeholdsarbeid må utføres av et installasjonsfirma, anbefales det at man tegner en servicekontrakt.

4. Steng lufterventilen.
5. Tapp vann fra systemet levert av CBU.
6. Start pumpen et kort øyeblikk.

7.4 Slå på systemet

Systemet starter automatisk når nettstøpslet plugges inn.

7.5 Funksjonskontroll

Systemet er stilt opp, installert, tilkoblet og startet iht. spesifikasjonene.

7.6 Sjekk beskyttelse mot tørrkjøring.

1. Steng inntaket på sugesiden.
 - Pumpestyringen overvåker systemet overvåkes kontinuerlig med tanke på tørrkjøring. Hvis det ikke pumpes tilstrekkelig mengde inn i systemet (strømningen stopper opp), slår pumpestyringen av systemet etter 10 til 15 sekunder. Man aktiverer overvåkingen på nytt ved å trykke på Reset-knappen.

I samsvar med EN 806-5 skal følgende tiltak iverksettes:

Oppgaver skal kun utføres av kvalifisert personale (se kapittel 1.12).1.11 Krav til betjeningspersonale).

9.1 Sikkerhetsregler for vedlikehold



FARE!

Fare for personskader fra elektrisk spenning.

Farlig kroppsstrøm og brannskader fra direkte og indirekte kontakt med spenningsførende deler.

- Koble anlegget spenningsfritt før du monterer den kompakte trykkforsterkeren og sikre den mot gjenninnkobling.

**ADVARSEL!**

Ukvalifiserte personer som arbeider på den kompakte trykkforsterkeren

Fare for personskader!

- ▶ La kun spesielt kvalifisert personell utføre reparasjoner og vedlikeholdsarbeid.

**FORSIKTIG!**

Feilaktig vedlikehold på den kompakte trykkforsterker

Riktig funksjon av den kompakte trykkforsterkeren kan ikke lenger sikres!

- ▶ Utfør regelmessig vedlikehold på den kompakte trykkforsterkeren.
- Følg alltid sikkerhetsforskriftene og -instruksjonene.
- Overhold instruksene for arbeid på pumpen.



I tilfelle skader, ta kontakt med vårt kundesenter. Ved å sette opp en vedlikeholdsplan, vil det nødvendige vedlikeholdet for å unngå kostbare reparasjoner og oppnå en feilfri og pålitelig funksjon av den kompakte trykkforsterkeren, bli holdt på et minimum.

9.2 Oversikt over inspeksjonsoppgaver

Intervall	Drift
halvårlig	Sjekk pumpestyringsenhet
	Sjekk beskyttelse mot tørrkjøring.
	Kontroller trykkslanger
	Sjekk flottørtettingen

9.3 Inspeksjon

For å sikre en pålitelig drift av den kompakte trykkforsterkeren, må de nødvendige inspeksjonene gjennomføres i tide.

9.3.1 Sjekk beskyttelse mot tørrkjøring.

Intervall: halvårlig

1. Steng drikkevannsinntaket
2. Tapp ut for å pumpe tilførselstanken tom.
 - Når tilførselstanken er tom skal pumpestyringen slå av pumpen i løpet av 10 til 15 sekunder. Omstart vil skje kun etter at Reset-knappen er trykket.

9.3.2 Kontroller trykkslanger

Intervall: halvårlig

1. Kontroller om trykkslangene lekker eller om metallmantelen er skadet.
 - Slangene må byttes ut hvis det lekker eller metallmantelen har alvorlige skader.

9.3.3 Sjekk pumpestyringsenhet

Intervall: halvårlig

1. Tappe vann
2. Forsikre det om at det ikke tappes.
3. Pumpen skal stoppe ca. 10 til 15 sekunder etter at tappingen er stoppet.

9.3.4 Sjekk om pakningen på flottørringen lekker

Intervall: halvårlig



Det er ikke mulig å unngå at pakningen på flottørringen blir litt slitt, og slitasjen akselereres hvis det er slipende partikler i pumpemediet.

1. Kontroller om det er lekkasje i området mellom motor og pumpehus.
2. Pakningen på flottørringen må skiftes hvis den lekker.
 - Den første igangsettingen skal utføres av teknisk personale fra Resideo.

9.3.5 Kontrollere fortrykket på membranen i trykkekspansjonstanken

Intervall: halvårlig

1. Fjern beskyttelsesratt.
2. Kontroller fortrykket. Still det på 3,2 - 3,4 bar om nødvendig.

9.4 Vedlikehold

Vedlikehold skal utføres av teknisk personale fra Resideo.

10 Feilsøking

Under garantitiden må du kontakte produsenten før du utfører vedlikeholdsarbeid på systemet (kun arbeid som kreves for oppstart og vedlikehold). Manglende overholdelse vil føre til tap av alt erstatningsansvar.

Feil	Mulig årsak	Utbedring	med
Pumpen går og sitter ikke fast	Pumpen er ikke fylt	Fyll pumpen	Bruker
	Innløpet på tanken er stengt	Åpne innløpet på tanken	Bruker

Feil	Mulig årsak	Utbedring	med
Pumpen starter og stopper ofte	Lekk kran	Tett kranen	Bruker
Pumpen går, matemengden eller trykket er for lavt	Pumpen suger inn luft	Kontroller sugeledningen	Bruker
Pumpen stopper under drift og indikerer feil	Strømsvikt eller for lav spenning	Kontroller strømtilførselen	Bruker
	Termobryteren er utløst pga. overoppheting	Kontroller at pumpen beveger seg fritt	Service
	Jordfeilbryteren er utløst	Få en elektriker til å kontrollere isolasjonsmotstanden	Service
Systemet kobler seg ikke inn	Pumpestyringen indikerer feifunksjon	Trykk Reset-knappen eller koble fra nettspenningen	Bruker
Systemet slår seg ikke av	Fremmedlegemer i pumpestyringen	Rengjør pumpestyringen og bytt ut om nødvendig.	Service
Systemet støyer for mye	Pumpen ligger mot sikkerhetsskruene	Juster pumpen for hånd, slik at den ikke ligger mot skruene	Bruker
Overstrømning fra tanken	Forurensning i ventil	Fjern skitt/avleiringer i ventilen og bytt flottøren hvis nødvendig	Service

10.1 Tiltak for å fjerne trykkslag

10.1.1 Gjøre inntaksledningen større

Iht. EN 806-5 for mengder > 0,5 l/s må man velge minimum innvendig rørdiameter på 20 mm.

10.1.2 Innstilling trykkreduksjonsventil

Hvis man leser av statisk trykk på 5 bar på manometeret og trykket faller til 2,5 bar når ventilen åpnes, må det statiske trykket reduseres med 1 bar. Trykkfall oppstår når trykkforskjellen er større enn 2 bar.

10.1.3 Strupe trykksvingninger

Hvis en stoppkran eller trykkreduksjonsventil er montert i drikkevannsledningen foran systemet, må den strupes til trykksvingningene forsvinner. Ulempen med denne metoden er små tappemengder. Man må kontrollere om tappemengden er tilstrekkelig for normal bruk.

Vannstrømningsmonitoren skal imidlertid ikke aktiveres når man tapper maksimalt med vann. Hvis vannmangelmonitoren likevel skulle aktiveres, må man strupe nedstrømssiden også.

10.1.4 Membrantrykkespansjonsbeholder

Installer en 8 l membran-trykkespansjonstank i ledningen foran systeminntaket. En slik tank vil eliminere store trykkfall som skyldes ledninger med for små dimensjoner samt eliminere trykksvingninger uten at man trenger å strupe mengden.

11 Driftsstans, demontering, omstart

11.1 Nedstenging av den kompakte trykkforsterkeren



FORSIKTIG!

Fare for personskader fra elektrisk spenning. Følg sikkerhetsregler for å unngå farlig kroppsstrøm og brannskader fra direkte og indirekte kontakt med spenningsførende deler.

- ▶ Koble anlegget spenningsfritt før du monterer den kompakte trykkforsterkeren og sikre den mot gjeninnkobling.
- 1. Koble systemet fra strømtilførselen og sikre det mot oppstart.
- 2. Demonter systemet forskriftsmessig.
- 3. Steng drikkevannsinntaket og trykkledningen.
- 4. Rengjør systemet forskriftsmessig.
- 5. La systemet dreneres.

11.2 Starte den kompakte trykkforsterkeren på nytt

Det henvises til prosedyrene i kapittel 7

12 Lagring

12.1 Lagring over kort tid

Korttidslagring er mulig uten ytterligere forberedelse under spesifiserte miljøforhold.

12.2 Lagring/konservering



FORSIKTIG!

o Skader under lagring som følge av frost, fuktighet, smuss, UV-stråling eller skadedyr

Korrosjon / forurensning av systemet!

- ▶ Beskytt systemet mot frost, må ikke lagres utendørs.



FORSIKTIG!

Fuktige, skitne eller skadede åpninger og overgangsstykker

Fare for lekkasjer skader på systemet!

- ▶ Åpninger i systemet skal kun avdekkes montering.

12.3 Lagringsforhold

Lagringssted	lukket rom, tørt og støvfritt
Omgivelsestemperatur	5°C to 40°C (inkl. power pack)
Relativ luftfuktighet	maks. 50 % r.f.

13 Avhending

Pass på å følge lokale bestemmelser for å sikre korrekt prosedyre for gjenvinning/avfallshåndtering

14 Reservedeler

Gå inn på homecomfort.resideo.com/europe for reservedeler

15 Opstartsprotokoll

Den følgende såkalte Resideo Compact Booster Unit (kompakt trykkforsterkeren) ble tatt i drift i dag av undertegnede, autorisert Resideo kundeservicepersonell, og denne protokollen ble skrevet

1. Kompakt trykkforsterker

Serie _____
 Størrelse _____
 Serienummer _____
 Bestillingsnummer _____

2. Kunde/Driftssted

Kunde	Driftssted
Navn _____	_____
Adresse _____	_____

3. Driftsdata refererer til kretsskjema for tilleggsdata

Innkoblingstrykk	pE bar	_____
Overvåkning forladetrykklinnstillingsverdi for forladetrykk bryter	pfør - x	_____
Utkoblingstrykk	pA bar	_____
Forladetrykk	pfør bar	_____
Forladetrykk tank	pfør bar	_____

4. Viktige merknader

Ifølge DVGW Process Sheet W 314, er selskapet som opererer systemet forpliktet til å underrette det pågjeldende vannverket/ vandrdistribusjonsselskapet om ferdigstillelse/igangkjøring av systemet.

Hvis systemet i tillegg drives med trykkbeholdere av gruppe III / IV i samsvar med forskriften for trykkbeholdere, da må også TUV informeres.

Operatørselskapet eller deres kunde bekrefter herved å være fullt opplært i drift og vedlikehold av den kompakte trykkforsterkeren Kretsskjemaer og instruksjoner/håndbøker ble også levert.

Mangler funnet under oppstart

Mangel 1

Resideo-kundens navn

Sted

Planlagt utbedring

Leverandørens og entreprenørens navn

Dato

16 Ubetenkelighetserklæring

Type

Bestillingsnummer/Bestilling artikkelnummer³⁾ _____

Leveringsdato _____

Bruksområde _____

Pumpet medium³⁾ _____

Lag en hake hvis aktuelt³⁾:



radioaktiv



eksplosiv



korrosiv



skadelig/giftig



helsefarlig



mikrobiologisk risiko



brannfarlig



uskadelig

Grunner for retur³⁾ _____

Merknad: _____

Systemet / tilbehøret må være tømmes nøye og rengjøres på utsiden så vel som på innsiden.

- Ingen spesielle sikkerhetstiltak er nødvendig for videre handling.
- De følgende sikkerhetsforanstaltninger med hensyn til skylling av medium, restvæsker og deres avhending er påkrevd:

Vi forsikrer at ovenstående informasjon er korrekt og fullstendig og at levering vil skje i henhold til lovens krav.

Sted, dato og underskrift

Adresse

Firmastempel

1 Säkerhetsanvisningar

1. Beakta monteringsanvisningen.
2. Utrustningen ska användas
 - enligt dess avsedda användning
 - i gott skick
 - med vederbörlig hänsyn till säkerhet och risk för fara.
3. Tänk på att enheten bara är avsedd för användning i de applikationer som monteringsanvisningen anger (se 3.1 Tekniska data). All annan användning räknas som ej avsedd användning och innebär att garantin upphör att gälla.
4. Beakta att samtliga monterings-, idriftagnings-, underhålls- och justeringsarbeten endast får utföras av auktoriserad fackpersonal.
5. Störningar som kan påverka säkerheten måste åtgärdas omedelbart.

1.1 Bruksanvisningens säkerhetsanvisningar



FARA!

Den här skylten uppmärksammar risk för dödsfall, allvariga personskador eller betydande saksador om du inte följer resp. försiktighetsåtgärder!



VARNING!

Ställen med den här skylten kan innebära risk för dödsfall, allvariga personskador eller betydande saksador om du inte följer resp. försiktighetsåtgärder!



VAR FÖRSIKTIG!

Ställen med den här skylten kan innebära risk för mindre personskador eller lättare saksador om du inte följer resp. försiktighetsåtgärder!



Den här skylten ger information och tips som måste beaktas för att förhindra skador på maskinen. Den här symbolen är inte någon säkerhetsindikering.



Den här skylten ger information om möjliga risker för miljön.



Observera att en säkerhetssymbol aldrig kan ersätta texten i själva säkerhetsinstruktionen – hela texten i säkerhetsanvisningen måste läsas!

1.2 Allmänna säkerhetsinstruktioner

Den här manualen innehåller grundläggande instruktioner som ska följas vid transport, montering, uppstart, drift, underhåll, nedstängning, lagring och avfallshantering. Följande säkerhetsinstruktioner måste följas när återströmningsskyddet är i drift:

- Vid användning av återströmningsskyddet måste data, drift- och användningsvillkoren som specifikt godkänts i det tekniska databladet och bruksanvisningen följas.
- Överskrid aldrig tillåtna gränser gällande tryck, temperatur, etc. som anges i dokumentationen.
- Följ alla säkerhetsinstruktioner samt driftinstruktionerna i manualen.
- Instruktioner som har satts upp på systemet måste följas och måste hållas fullständigt läsliga. Det gäller t.ex.:
 - Säkerhetsanvisningar
 - Pil som anger rotationsriktning
 - Anslutningsdekaler
 - Typskylt
- Driftansvarig samt ansvarig teknisk personal/operatörer måste ha läst bruksanvisningen före montering och idrifttagning och bruksanvisningen måste alltid finnas tillhands på plats vid kompaktboostern.
- Installations- och underhållsarbete får endast utföras av auktoriserad specialistpersonal med lämpliga verktyg.
- Återströmningsskyddets tekniska tillstånd måste kontrolleras regelbundet (minst en gång per år) av drifts företaget.
- Lokala arbetskyddsföreskrifter måste följas vid användning av återströmningsskyddet.
- De allmänna tekniska bestämmelserna måste följas vid planering av användning och drift av enheten.
- Det är inte tillåtet att utföra några modifieringar av återströmningsskyddet. Om detta ignoreras upphör garantin att gälla.
- Efter avbrott på ström- eller vätsketillförseln måste en definierad eller kontrollerad återupptagning av processen säkerställas.
- Operatören ansvarar för att de lokala bestämmelserna som inte tas upp i manualen följs.

1.3 Fler säkerhetsbestämmelser

Särskilt måste operatören säkerställa att

- Skadepreventiva föreskrifter, säkerhets- och driftföreskrifter
- Säkerhetsföreskrifter för hantering av farliga ämnen
- Tillämpliga standarder och lagar

1.4 Otillåtna driftsätt

Du måste alltid följa de gränser som dokumentationen anger. Levererat system garanterar bara tillförlitlig drift vid avsedd användning.

1.5 Restrisker vid hantering av återströmningsskyddet

Fara och negativa effekter kan uppstå från användningen av återströmningsskyddet

- Det är endast elektriker som får utföra arbete på elutrustningen
- till själva återströmningsskyddet
- till annan egendom.

Grunden till säker och felfri drift av återströmningsskyddet är kännedom om instruktionerna för säkerhet och drift i den här manualen.

1.5.1 Mekaniska restrisker

Under normal drift hotar ingen fara från mekaniska komponenter.

1.5.2 Restrisker gällande vätskor

Under normal drift hotar ingen fara från mekaniska komponenter.

Faror kan uteslutande uppstå under följande förhållanden.

Riskområde	Typ av fara	Riskminskning
Rörledning	Skada på grund av högtryck	Töm rörledningarna från tryck och medium före montering, underhåll och nedstängning!

1.5.3 Elektriska restrisker

Under normal drift föreligger inga risker från återströmningsskyddets elektriska utrustning.

Faror kan uteslutande uppstå under följande förhållanden.

Riskområde	Typ av fara	Riskminskning
Skada från kablar	Livsfara! Elstöt på 230/400 V från elspänning	Anslut till skyddsjordssystemet! Slå alltid från strömförsörjningen och säkra mot tillslagning under underhålls- och servicearbete! Följ gällande arbetarskydds- och säkerhetsbestämmelser för elektrisk utrustning!
Elektrostatisk känsliga komponenter/ underenheter	Enheten innehåller elektroniska komponenter som är känsliga för elektrostatiska urladdningar (ESD). Kontakt med elektrostatiskt laddade personer eller föremål utsätter dessa komponenter för fara. Sämsta förhållandet: de förstörs direkt eller slutar fungera efter uppstart.	Följ kraven i SS-EN 100015-1 för att minimera eller undvika fara på grund av elektrostatiska urladdningar! Rör inte vid elektriska komponenter när strömförsörjningen är tillslagen!

1.5.4 Biologiska restrisker

Kompaktboostern medför ingen biologisk risk vid normaldrift.

Faror kan uteslutande uppstå under följande förhållanden.

Riskområde	Typ av fara	Riskminskning
Bufferttank	Risk för mikrobiell kontaminering	Rengör bufferttanken regelbundet!

1.5.5 Kemiska restrisker

Kompaktboostern medför ingen kemisk risk vid normaldrift.

Faror kan uteslutande uppstå under följande förhållanden.

Riskområde	Typ av fara	Riskminskning
Användning av rengöringsmedel	Fara på grund av kontakt med eller inandning av farliga vätskor, gaser, rök, ångor eller damm	Använd personlig skyddsutrustning! Var uppmärksam på säkerhetsdatabladet från rengöringsmedlets tillverkare!

1.5.6 Konsekvenser och risker om du inte följer bruksanvisningen

- Följ du inte bruksanvisningen, så upphör garantin att gälla och skadeanspråken blir ogiltiga.
- Följ du inte bruksanvisningen, så kan det t.ex. leda till följande risker:
 - Risk för personskador pga. påverkan från el, värme, mekanik och kemi
 - Bortfall av viktiga produktfunktioner
 - Miljörisk pga. läckande farliga ämnen

1.6 Grundläggande skyddsåtgärder

1.6.1 Håll informationen tillgänglig

Den här manualen ska förvaras. Det måste alltid vara säkerställt att alla personer som arbetar med återströmningsskyddet alltid har tillgång till manualen.

1.6.2 Miljöskydd



Vid drift eller service av återströmningsskyddet måste bestämmelser gällande att undvika avfall och korrekt återvinning eller avfallshantering av avfallet följas. Särskilt måste man se till att material och medel som är farliga för grundvattnet, till exempel fetter, oljor, kylmedel, lösningsmedelsbaserade flytande rengöringsmedel etc. inte förorenar marken eller släpps ut i avloppssystemet. Dessa material måste samlas upp i lämpliga tankar, förvaras, transporteras och avfallshandteras korrekt.

1.6.3 Modifieringar av återströmningsskyddet

Vid användning av delar från tredje part finns ingen risk för att de har designats och konstruerats för att klara de krav som ställs på dem eller huruvida de uppfyller säkerhetsbestämmelserna.

Av säkerhetsskäl får inte några icke godkända modifieringar göras på återströmningsskyddet.

Delar och specialutrustning som inte levererats av Resideo har inte godkänts att användas av Resideo.

1.7 Operatörens skyldighet

Detta återströmningsskydd har designats och konstruerats i enlighet med en riskbedömning och efter noga urval av harmoniserade standarder som gäller samt enligt andra tekniska specifikationer. Det uppfyller därmed bästa praxis och garanterar högsta säkerhetsstandard.

Denna säkerhetsnivå kan endast uppnås under driftpraxis om alla nödvändiga säkerhetsåtgärder har vidtagits. Det är operatörens skyldighet att planera dessa åtgärder och se till att de implementeras.

Särskilt måste operatören säkerställa att

- återströmningsskyddet endast används enligt avsedd användning
- återströmningsskyddet endast används i perfekt arbetsskick.
- manualen måste hållas alltid hållas läslig och förvaras vid återströmningsskyddet.
- återströmningsskyddet endast monteras, tas i drift, underhålls och stängs ner av rätt utbildad och behörig personal.
- denna personal instrueras regelbundet om alla relevanta frågor gällande arbetarskydd och miljöskydd och har även läst och förstått manualen och särskilt säkerhetsinstruktionerna som finns i den.
- ingen av säkerhets- och varningsskyltarna som är uppsatta på återströmningsskyddet har tagits bort och att alla hålls läsliga.
- en riskbedömning har utförts (i enlighet med Safety at Work Act § 5) för att upptäcka ytterligare faror som kan uppstå från särskilda arbetsförhållanden på platsen där återströmningsskyddet används.
- all övrig information och säkerhetsinstruktioner som framgår av riskbedömningsprocessen ska sammanfattas i driftinstruktionerna (i enlighet med arbetsutrustningsbestämmelse § 6).
- avloppsledningarna är tillräckligt dimensionerade

1.8 Säkerhetsanvisningar för driftansvarig/operatörer

- Eliminera risker pga. el (se resp. lands och/eller lokala elbolagens föreskrifter).

1.9 Säkerhetsanvisningar för underhåll, inspektion och montering

- Ändringar eller modifieringar av systemet kräver tillverkarens godkännande.
- Använd bara originaldelar eller delar godkända av tillverkaren.
- Användning av delar som inte är godkända kan leda till att produktansvaret och ansvaret för följdskador upphör.
- Serva bara systemet när maskinen är av.
- Pumphuset måste ha omgivningstemperatur.
- Pumphuset måste vara trycklöst och tomt.
- Du måste under alla omständigheter följa bruksanvisningens metoder för systemavstängning.
- Återmontera säkerhetsutrustning och skydd samt aktivera dem igen direkt efter att systemarbetena är klara. Följ checklistan för uppstart innan du startar upp igen.
- Håll obehöriga (t.ex. barn) borta från systemet.

1.10 Krav på driftspersonalen

1.10.1 Driftspersonal

Det är bara personal som är utbildad, instruerad och behörig som får montera, starta, underhålla och stänga av kompaktboostersystemet.

Tillverkaren kan i vissa fall arrangera utbildning mot förfrågan från driftansvarig.

Utbildning av systemoperatörer kräver övervakning av specialisttekniker.

Relevant auktorisation av personalen ska anges av driftsföretaget i form av en driftsinstruktion.

Utöver detta krävs särskild kompetens för följande uppgifter:

- Det är endast elektriker som får utföra arbete på elutrustningen
- Montering, underhåll, service och reparationer får endast utföras av kompetent specialistpersonal

De grundläggande bestämmelserna gällande arbetarskydd ska följas.

Kompetent personal

Kompetent personal är personer som baserat på sin utbildning, erfarenhet och instruktioner, samt deras kännedom om relevanta normer, bestämmelser, arbetarskyddsbestämmelser och driftsförhållanden, inkluderat de personer som är ansvariga för säkerheten hos systemet och har auktoriserats att utföra relevanta och nödvändiga uppgifter, klarar av att känna igen och undvika faror. Detta inkluderar nödvändiga kunskaper om första hjälpen-åtgärder och lokal räddningstjänst och faciliteter.

1.11 Personlig skyddsutrustning

Det krävs ingen personlig skyddsutrustning för att arbeta med återströmningsskyddet.

2 Allmän information

Bruksanvisningen är en del av de serier och versioner som nämns på framsidan. Bruksanvisningen beskriver säkra och avsedd användning för alla driftlägen.

Typskylten anger serien och storleken, viktigaste driftinfor och ordernumret. Tillverknings-/serienumret identifierar systemet entydigt och bör användas i det syftet vid alla kommande affärstransaktioner.

För att garantin ska upprätthållas ska närmaste Resideo servicecenter kontaktas vid händelse av skada.

2.1 Överensstämmelse med följande normer

Pumpenhet: maskindirektivet 2006/42/EG

Pumpenhet: EMK-direktivet 2004/108/EG

Frekvensomvandlare: EMK-direktivet 2004/108/EG

Frekvensomvandlare: lågspänningsdirektivet 2006/95/EG

2.2 Garanti och ansvar

Av princip gäller Resideos allmänna försäljnings- och leveransvillkor. Garanti- och ansvarsanspråk för skador på personer och skada på egendom är uteslutna om de uppstår av en eller flera av följande orsaker.

- Icke avsedd användning av återströmningsskyddet
- Felaktig montering, uppstart, drift och underhåll av återströmningsskyddet
- Instruktionerna i manualen gällande transport, förvaring, montering, uppstart, drift, underhåll och service av återströmningsskyddet har inte följts.
- Icke godkänd modifiering av återströmningsskyddets konstruktion
- Felaktigt utförda reparationer
- Katastrofer som orsakats av ett främmande föremål eller force majeure

2.3 Förvaring och perfekt skick

Denna instruktionsmanual är en del av återströmningsskyddet och måste hela tiden vara komplett och läslig. Instruktioner eller sidor som saknas måste genast ersättas.

2.4 Illustrationer

Illustrationerna som används är exempel på en möjlig version av återströmningsskyddet och kan i individuella fall skilja sig från den faktiska versionen av återströmningsskyddet.

2.5 Symboler

1. Inledningen av en uppgiftsbeskrivning
 2. Nästa arbetssteg
 - Resultatet av en åtgärd
- Lista med flera alternativ
 - Referens till andra dokument



FARA!

Orsak till fara

Konsekvens om den ignoreras

- Undvikande

2.6 Övriga tillämpliga dokument

- Bruksanvisningar och annan dokumentation för extrautrustning och inbyggda maskindelar
- Produktdatablad för CBU140
- Driftföretagets driftinstruktioner
- Datablad
- Intyg om överensstämmelse med EU-direktiv

2.7 Ordlista

EN 1717

Europeisk standard som specificerar de tekniska bestämmelserna för dricksvatteninstallationer.

Förväntade ljudemissionsvärden

Förväntat buller, anges här som ljudtrycksnivå (SPL) i dB(A).

Intyg om godkännande

Ett intyg om godkännande är ett intyg som anger att systemet har rengjorts korrekt så att delar som har varit i kontakt med mediet inte är farliga för hälsan och miljön.

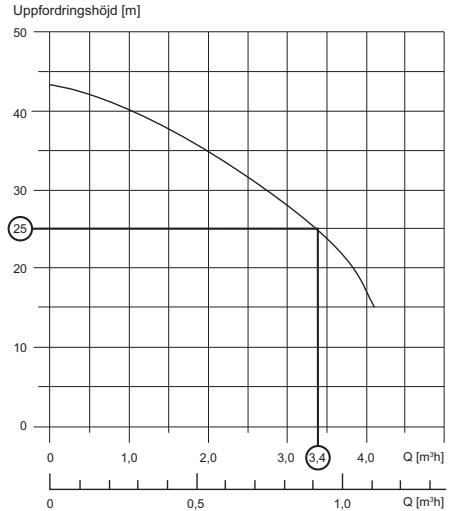
3 Beskrivning

Varvtalsreglerat återströmningsskydd med en vertikal högtryckspump som säkerhetsanordning för att separera dricksvatten från vätskor av kategori 5 enligt SS-EN 1717. Helautomatisk, återströmningsskydd som består av ett enskilt pumpsystem och en buffertank för hygienisk separation av dricksvatten och vätskor av kategori 5 enligt SS-EN 1717, monterad på ett golvstativ. Moduldesignen gör det möjligt att koppla från moduler för installation i byggnader med begränsat utrymme. Systemet startas och stängs av efter trycket, flödet kontrolleras med frekvensomvandlaren.

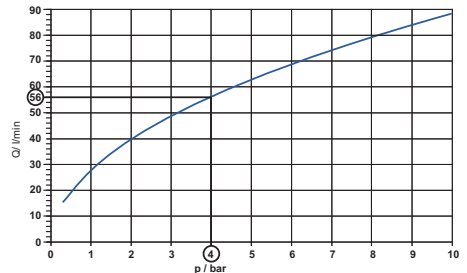
3.1 Tekniska data

Media	
Medium:	Dricksvatten
Flöde:	upp till 4 m ³ /h, 1,1 l/s
Total uppfodringshöjd:	upp till 43 m
Tryckvärden	
Tillslagningstryck pumpar:	2,5 bar
Max. tryck:	6 bar
Max. inloppstryck:	4 bar
Drifttemperaturer	
Max. medietemperatur:	35 °C
Specifikationer	
Inloppsflöde vid 4 bar:	< 1 l/s
Matningsspänning:	230 V AC ± 10%, 50 Hz
Anslutning inlopp/utlopp:	G3/4 utvg. / G1" utvg.
Effektupptagning i standbyläge:	2,5 - 3 W
Max. Effektupptagning	800 W
Drivning:	Enfas, AC-motor 230 V, med inbyggt kretsskydd termisk klass F
Skyddsklass:	IP44
Vikt utan vatten:	ungefär 22 kg
Vikt med vatten:	ungefär 35 kg
Det membranbaserade tryckexpansionskärlets vikt utan vatten:	ungefär 2,4 kg
Vikt med vatten:	ungefär 5 kg

3.2 Pumputlopp



3.3 Flödeskaraktistik för inloppsventilen



Förväntade ljudemissionsvärden

Ljudnivåer baserade på pumpdata ger nästan 55 dB(A).

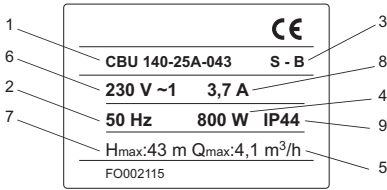
Installationstyp

Fast installation

3.4 Godkända omgivningsförhållanden

Omgivningstemperatur	5–40 °C
Relativ luftfuktighet	max. 55 % rel. fukt.

3.5 Typskylt



1	Serie	6	Märkspänning
2	Frekvens	7	max.
3	Serienummer		anslutningsspänning
4	Uteffekt	8	max.
5	max. pumphastighet	9	uppfodringshöjd
			Skyddsklass

Nyckel för serienummer

Kalenderår	2009	2010	2011	2012	2013
Första halvåret	S-U	S-W	S-Y	S-A	S-C
Andra halvåret	S-V	S-X	S-Z	S-B	S-D

3.6 Version

Anslutningsklart återströmningsskydd, bestående av:

- Självprimande flerstegs centrifugalpump
- Övervaknings- och styrenhet för centrifugalpumpen
- Systemkontroll
- Inloppstank med mekanisk flödesventil
- Fästmaterial för väggmontering, bestående av skruvar, väggpluggar och monteringsfäste
- Flexibel expansionsanslutning PN10 med DVGW-/TÜV-godkännande och 10 års garanti för trycksidan för montering på utloppsanslutningen (längd ungefär 30/50 cm)
- Membrantryckexpansionskärl
- Installationsanvisning med monteringsmall

3.7 Översikt

I en vinkelformadtank avsedd för väggmontering finns en flerstegs högtryckspump. Högtryckspumpen är ansluten via en rörböj till ett inlopp som leder till bufferttanken.

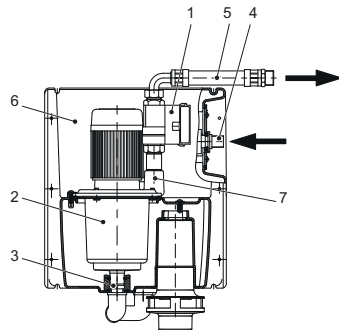


Fig. 5 CBU140 konstruktion

1	Pumpstyrning	5	Tryckleverans
2	Pump	6	Tank
3	Inlopp tank	7	Avluftningsventil
4	Dricksvattenanslutning		

3.8 Avsedd användning

Kompaktboostern är bara avsedd för drift i de miljöer som beskrivs i Övriga tillämpliga dokument.

Icke avsedd drift av återströmningsskyddet kan leda till fara för personer, system, omgivningarna och miljön.

- Använd bara kompaktboostern i perfekt arbetsskick.
- Använd inte delvis monterad kompaktbooster.
- Kompaktboostern är bara avsedd att pumpa medium på det sätt som resp. versions dokumentation beskriver.
- Använd aldrig kompaktboostern utan pumpmedium.
- Följ värdena för minimipumpfrekvens (undvik skador på grund av överhettning, lagring, ...).
- Följ värdena för maxpumpfrekvens (undvik skador på grund av överhettning, flytringstätning, kavitation, lagring, ...).
- Stryp inte ingången till kompaktboostern (för att undvika kavitationsskador).
- Andra driftlägen som inte nämns i dokumentationen kräver koordinering med tillverkaren.

3.9 Icke avsedd användning

Återströmningsskyddet har inte designats för drift utomhus. Temperatur, ljus och fukt kan leda till felfunktioner och skador på utrustningen.

- Använd inte återströmningsskyddet utomhus.
- Använd endast återströmningsskyddet enligt avsedd användning.
- Fyll inte på aggressiva eller lättantändliga medium i systemets medieledningar.

- Ingen mekanisk påfrestning på hus (t.ex. genom att lägga föremål på dem eller använda dem som trappsteg).
- Utför inte några externa modifieringar av enhetens hölje. Måla inte höljets delar och skruvar!
- Demontera inte återströmningsskyddet mer än nödvändigt för installations- och underhålls syfte.

3.10 Tillval

För tillval, gå in på homecomfort.resideo.com/europe

4 Funktion

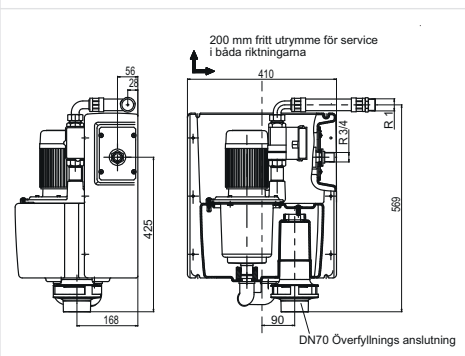
Buffert tanken påfylls automatiskt via flödesventilen. Buffert tanken rymmer ungefär 13 liter. Vatten tas från buffert tanken via pumpen ut i systemet.

Den integrerade pumpen styrs av en tryckbrytare i styrenheten vid utloppet, den upprätthåller inställt önskat tryck genom att starta och stoppa pumpen. Fabriksinställningen på tryckbrytaren är 2,5 bar och pumpen fortsätter gå i 10 sekunder under varje körning för att minska antalet till- och frånslagningar. Enheten är skyddad mot torrkörning med hjälp av en kontrollventil i ledningen som förhindrar backflöde till pumpen och en tryckmätare som indikerar utloppstrycket.

4.1 Byggmått

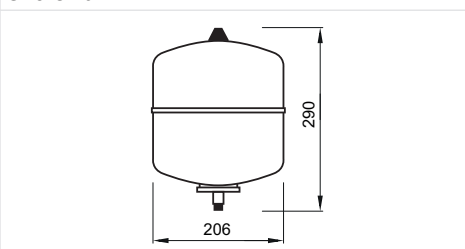
CBU

Översikt



Membrantryckexpansionskärl

Översikt



5 Leverans

5.1 Gör tillståndskontroll vid leveransmottagningen

1. Kontrollera innehållet i alla förpackningar för skador vid leverans.
2. Uppskatta omfattningen av ev. transportskada, dokumentera skadan och meddela Resideo skriftligen omgående.

5.2 Transport



FARA!

Välta systemet

Risk för att krossas av systemet!

- ▶ Se till så att systemet inte fastnar i elledningarna.
- ▶ Följ de lokala säkerhetsbestämmelserna.
- ▶ Beakta vikten och tyngdpunkten.
- ▶ Använd endast lämpliga och godkända transportmedel, till exempel gaffeltruck eller palldragare.



WARNING!

Installation på onivellerade och fristående installationsplatser

Risk för person- och saksador!

- ▶ Se till så att det finns tillräcklig kompressionsstyrka enligt klass C12/15 för betong med exponeringsklass X0 enligt EN 206-1.
- ▶ Installationsplatsen måste vara fast, plan och horisontell.
- ▶ Beakta viktinformationen.



Återströmningsskyddet är fäst på träskenor och inlindade i folie för transport och tillfällig förvaring. Alla anslutningar har skyddslock.

Systemet står på en liten träpall under teleskoplådan. Tillbehören är förpackade i samma låda – se etiketten på lådan. Två bärhandtag för transport finns i lådan.

1. Skär av packbanden vid uppackningen.
2. Ta ut tillbehören och det extra fyllnadsmaterialet från lådan.
3. Lyft lådan uppåt.
– Systemet står fritt på en träpall.
4. Kontrollera innehållet i förpackningen så att allt finns med.
5. Kontrollera systemet för transportskador.
6. Välj lämpligt transportmedel.
7. Transportera systemet till installationsplatsen.

6 Hopsättning

6.1 Allmänna säkerhetsinstruktioner



FARA!

Risk för personskador på grund av elektrisk spänning.
Höga chockströmmar och brännskador på grund av direkt och indirekt kontakt med strömförande delar. Slå från strömförsörjningen innan återströmningsskyddet monteras och säkra den från att kopplas till.

- ▶ Felaktig elanslutning
Risk för skador på elnätet, kortslutning!
Elsystemet måste uppfylla installationsbestämmelserna i enlighet med VDE 100 (dvs. jordade eluttag).
Elnätet måste vara utrustat med en jordfelsbrytare för max. 30 mA.
- ▶ Icke anslutna eller felaktigt anslutna kablar
Felfunktioner som riskerar driftspersonalens säkerhet.
Det är bara behöriga specialelektriker som får arbeta på elutrustningen.
- ▶ Felaktigt anslutna kablar och ledningar (t.ex. för liten böjningsradie)
Glöd och lågor från kablar.
Det är bara behöriga specialelektriker som får arbeta på elutrustningen.
- ▶ Strömförande kabeländar och komponenter
Kontrollera att skyddsjordssystemet är korrekt anslutet.



VARNING!

Återströmningsskyddet har inte designats för drift utomhus.

Temperatur-, ljus- och fuktinverkan kan leda till felfunktioner och skada på enheterna.

- ▶ Använd inte återströmningsskyddet utomhus.
Fara på grund av felaktig installation
Risk för person- och saksador!
- ▶ Uppgifterna får endast utföras av kompetent personal (se avsnittet 1.10.1 Driftpersonal).



VAR FÖRSIKTIG!

Skadat eller felaktigt installerat återströmningsskydd.
Felfunktioner

- ▶ Skada inte återströmningsskyddet och installera endast det om det är rent och fullt fungerande.
- ▶ Installera återströmningsskyddet enligt de beskrivna instruktionerna.
- ▶ Installera fritt från spänning och böjningar.
- ▶ Anslutningskabeln för mycket böjd

Defekt system på grund av felaktig belastning av systemet

Förkortad användningstid!

Installera anslutningskabel med nollpotential. Det är inte tillåtet att lägga någon belastning på varken anslutningarna eller systemet.

- ▶ Dricksvatteninlopp på max. 4 bar har överskridits
Defekt system på grund av felaktig belastning
Installera tryckreducerventil före systemet för att säkerställa att förtrycket som matas från dricksvattennätet inte överstiger 4 bar.

6.2 Installation enligt SS-EN 1717

Placera återströmningsskyddet i ett teknikum eller i ett frostfritt, välventilerat, läsbart rum som inte används för något annat. Farliga gaser får inte tränga in i installationsutrymmet. Kräver tillräckligt dimensionerad avtappningsanslutning (avloppsanslutning eller liknande) (enligt EN 12056).

Användbar tankvolym	Avtappningskapacitet
13 l	5,4 m ³ /h

Tabell 6: Användbar volym/avtappningskapacitet



Kör inte kompaktboostern nära vardags- och sovrum.

6.3 Inspektion före montering

Kontrollera följande punkter före installation:

- Systemet är lämpligt för elnät enligt specifikationerna på typskylten.
- Mediet som ska pumpas uppfyller tillåtet pumpmedium.
- Ovan nämnda säkerhetsinstruktioner har följts.
- Installationsutrymmet är torrt, frostfritt och välventilerat.

6.3.1 Installationsplats



Välj företrädesvis en yttervägg för monteringen.

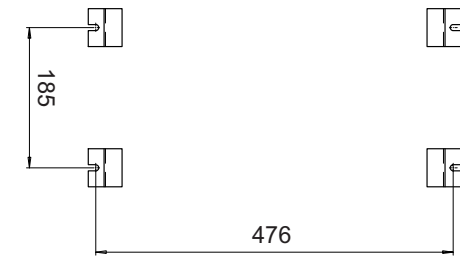
Väggen måste klara 4 väggpluggar på Ø 10 mm och kunna bära systemets vikt (ungefär 35 kg när det är fyllt med vatten).

6.4 Installera återströmningsskyddet



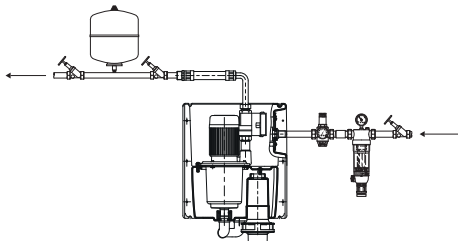
Se till att det finns utrymme för drifts- och underhållsuppgifter.

1. Ta bort förpackningen innan systemet installeras.
2. Markera de fyra monteringsställena med hjälp av bormallen som följer med.



3. Borra hålen (4 x Ø10 mm).
4. Sätt i lämplig plugg i rätt storlek.
 - väggpluggar medföljer endast för montering i betong eller tegelväggar.
5. Montera och justera båda de nedre fästtillbehören.
6. Sätt i systemet i de båda nedre fästtillbehören.
7. Montera de övre fästtillbehören.

6.5 Installera rörledningarna



Installera anslutningskabel med nollpotential. Det är inte tillåtet att lägga någon belastning på varken anslutningarna eller systemet.

Installera tryckreducerventil före systemet för att säkerställa att förtrycket som matas från dricksvattennätet inte överstiger 4 bar.

Vi rekommenderar att installera en stoppventil och ett externt filter.

6.5.1 Vattenanslutning

1. Anslut inloppsanslutningen R 3/4" med den flexibla tryckslangen till dricksvattenledningen.
2. Fyll den vinklade tanken med vatten.
3. Öppna dricksvattenledningen.
 - När dricksvattenledningen har öppnats fylls tanken automatiskt.

6.5.2 Manometeranslutning



Undvik att böja det flexibla anslutningsröret för mycket eftersom det minskar användningstiden och belastar anslutningarna felaktigt.

För att undvika frekvent pumpaktivering vid små tappningsmängder, installera membrantryckexpansionskärl nedströms från CBU. Ett membrantryckexpansionskärl medföljer vid leveransen.

Vi rekommenderar att installera en stoppventil.

4. Installera membrantryckexpansionskärlet i konsumtionsvattenledningen. Ställ in trycket på 3,2–3,4 bar. Använd endast kväve för påfyllning!
5. Anslut systemet till konsumtionsvattenledningen med den flexibla tryckslangen

6.6 Ansluta överflödet



VAR FÖRSIKTIG!

Överflöde har inte anslutits

Risk för att installationsutrymmet svämmar över!

- ▶ Led överflödesledningen till ett avlopp med lämplig avtappningskapacitet (anslutning DN150).

Ett bräddavlopp för fri avtappning har implementerats enligt föreskrifterna i SS-EN 1717 och har en nominell bredd på 70 mm för det här systemet. Bräddavloppet blir aktivt när dricksvattenreturen läcker och vattennivån överskrider maximal överströmningsnivå.



Avsaknaden av återströmningsskydd på grund av avloppssystemet leder till att DVGW-godkännandet bortfaller. Om systemets överströmningsskanal saknas måste systemet anslutas till avloppssystemet med en överströmningssifon som finns bland tillbehören. När detta görs måste man säkerställa att överströmningssifonen inte är fast ansluten till systemet och att installationen utförs i enlighet med DIN 1986-100, SS-EN 1717.

Med en säker anslutning till avloppssystemet rekommenderar vi att installera ett vattenlås för att förhindra obehaglig lukt.

1. Anslut överströmningen.

6.7 Elanslutning

6.7.1 Säkerhetsanvisningar



VAR FÖRSIKTIG!

Risk för skador på grund av elspänning.

Höga chockströmmar och brännskador på grund av direkt och indirekt kontakt med strömförande delar.

- ▶ Slå från strömförsörjningen innan återströmningsskyddet monteras och säkra den från att kopplas till.

**VAR FÖRSIKTIG!**

Icke anslutna eller felaktigt anslutna kablar

Felfunktioner som riskerar driftspersonalens säkerhet.

- ▶ Det är bara behöriga specialelektriker som får arbeta på elutrustningen.
- ▶ Följ bestämmelse IEC 30364 (DIN VDE 0100) och för explosionskydd IEC 60079 (DIN VDE 0165).

**VAR FÖRSIKTIG!**

Felaktig elanslutning

Risk för skador på elnätet, kortslutning!

- ▶ Följ de lokala elbolagets villkor för tekniska anslutningar.

**VAR FÖRSIKTIG!**

Felaktigt anslutna kablar och ledningar (t.ex. för liten böjningsradie)

Glöd och lågor från kablar.

- ▶ Det är bara behöriga specialelektriker som får arbeta på elutrustningen.

**VAR FÖRSIKTIG!**

Strömförande kabeländar och komponenter

- ▶ Kontrollera att skyddsjordssystemet är fullständigt anslutet.



Vi rekommenderar att installera ett motorskydd.

1. Jämför nätspänningen med specifikationerna på typskylten.
2. Sätt kontakten i eluttaget.

6.8 Verifiering av vattenflödet

Vattenbristövervakningen får inte aktiveras vid maximal avtappning.

Om vattenbristövervakningen ändå aktiveras måste trycksidan strypas. För maximala avtappningsmängder och inloppsmängder, se 3 Beskrivning.

7 Upstart



Uppgifterna får endast utföras av kompetent personal (se avsnittet Kompetent personal).

7.1 Säkerhetsinstruktioner för uppstart

**VAR FÖRSIKTIG!**

Fara på grund av felaktig drift.

Felfunktioner

- ▶ Driftsansvarig samt ansvarig teknisk personal/operatörer måste ha läst bruksanvisningen före montering och idrifttagning och bruksanvisningen måste alltid finnas tillhands på plats vid kompaktboostern.
- ▶ Följ lokala arbetarskyddsföreskrifter när återströmningsskyddet ska startas.

**VAR FÖRSIKTIG!**

Skadat eller felaktigt installerat återströmningsskydd.

Felfunktioner

- ▶ Kontrollera återströmningsskyddet för tydliga tecken på skador, åtgärda genast eventuella defekter eller uppmärksamma överordnade om dem. Återströmningsskyddet får endast användas i perfekt fungerande skick.

Ta reda på tillräcklig information om

- återströmningsskyddets utrustning
- återströmningsskyddets funktioner
- de närmaste omgivningarna runt återströmningsskyddet
- åtgärder som ska vidtas vid ett nödfall

7.2 Upstartkrav

**VAR FÖRSIKTIG!**

Torrkörning av pumpen

Risk för pumpsystemsador!

- ▶ Kontrollera att det inte finns vattenbrist.



Ansvarig myndighet måste informeras före uppstart och före testning.

Kontrollera följande punkter före uppstart av kompaktboostern:

- Återströmningsskyddet måste anslutas till all skyddsutrustning enligt bestämmelserna.
- Alla relevanta krav i VDE-föreskrifter och landspecifika föreskrifter är uppfyllda.
- Anslutning av dricksvatteninloppet är anslutet till dricksvattennätet.
- Systemets elektriska anslutningar har gjorts i enlighet med bestämmelserna

7.3 Fyll på och avlufta pumpen och tanken

1. Ställ driftlägesväljaren på dricksvatteninloppet i ungefär 15 sekunder.
 - Systemtanken fylls på automatiskt.
2. Öppna luftningsventilen med en skruvmejsel eller fyrkantnyckel.
3. Vänta tills det kommer ut vatten från avluftningsventilen.
 - När det kommer ut vatten från avluftningsventilen är systemet avluftat.
4. Stäng avluftningsventilen.
5. Tappa av vatten från systemet som levererats av CBU
6. Starta pumpen en kort stund.

7.4 Starta systemet

Systemet startas automatiskt när elkontakten sätts i.

7.5 Funktionskontroll

Systemet har ställts upp, installerats, anslutits och startats i enlighet med specifikationerna.

7.6 Kontrollera torrkorningsskyddet

- Stäng inloppet på sugsidan.
 - Systemet övervakas kontinuerligt för torrkorning av pumpstyrningen. Om det inte matas tillräckligt pumpmedium till systemet (flödet stoppar) stänger pumpstyrningen av systemet efter 10 till 15 sekunder. När man trycker på återställningsknappen kan uppföljningstiden återaktiveras.

7.7 Checklista för uppstart

Arbetssteg	slutförd	
1	Läs instruktionerna.	
2	Kontrollera matningsspänningen och jämför med värdena på typskylten.	
3	Kontrollera den mekaniska anslutningen till vattenförsörjningssystemet. Dra åt flänsar och skruvar.	
4	Fyll och avlufta kompaktboostern.	
5	Kontrollera påfyllningen.	
6	Kontrollera torrkorningsskydd.	
7	Kontrollera driftläget	
8	Förhållanden för systemet som skiljer sig från vad som anges i vår dokumentation eller i beställningsinformationen måste antecknas i uppstartsprotokollet.	
9	Fyll i uppstartsprotokollet tillsammans med operatören och visa operatören hur maskinen fungerar.	

8 Drift

Pumpen startas automatiskt under avtappning.

Om det inte sker någon avtappning stängs pumpen av automatiskt.

Vid vattenbrist stänger det integrerade torrkorningsskyddet automatiskt av pumpen.

Felmeddelandet kan återställas med återställningsknappen. Så länge återställningsknappen hålls intryckt är styrenheten i manuellt driftläge.

9 Underhåll



Vattenarmaturer kräver årlig inspektion och service för att uppfylla kraven enligt EN 806-5.

Allt underhåll måste skötas av ett installationsföretag, vi rekommenderar att du tecknar ett serviceavtal.

Följande åtgärder krävs enligt EN 806-5:

Uppgifterna får endast utföras av kompetent personal (se avsnittet 1.11 Krav på driftspersonalen).

9.1 Säkerhetsinstruktioner för underhåll



FARA!

Risk för skador på grund av elspänning.

Höga chockströmmar och brännskador på grund av direkt och indirekt kontakt med strömförande delar.

- Slå från strömförsörjningen innan underhåll utförs på återströmningsskyddet och säkra den från att kopplas till.



WARNING!

Risk om obehöriga jobbar på kompaktboostern
Risk för personskador!

- Låt bara specialutbildad personal göra reparations- och underhållsarbeten.



VAR FÖRSIKTIG!

Felaktigt underhållen kompaktbooster kan medföra att den inte fungerar som den avser att fungera!

- Underhåll kompaktboostern regelbundet.
- Följ alltid alla säkerhetsföreskrifter och -anvisningar.
- Följ arbetsanvisningarna på pumparna.



Kontakta vår serviceavdelning vid skador.

Sätter du ihop ett underhållsschema, så minimerar du kostnaderna för nödvändigt underhåll för att undvika dyra reparationer och för att ge kompaktboostern felfri och tillförlitlig funktion.

9.2 Översikt över inspektionsuppgifter

Intervall	Drift
varje halvår	Kontrollera pumpstyrningen
	Kontrollera torrkorningsskydd.
	Kontrollera tryckslangarna
	Kontrollera glidringstätning

9.3 Inspektion

- i** För att säkerställa att återströmningsskyddet fungerar korrekt måste nödvändiga inspektioner utföras i rätt tid.

9.3.1 Kontrollera torrkörningskyddet

- i** Intervall: varje halvår
1. Stäng dricksvatteninloppet
 2. Tappa av för att pumpa tillförselstanken tom.
 - När tillförselstanken är tom måste pumpstyrningen stänga av pumpen inom 10–15 sekunder. En omstart utförs endast när återställningsknappen har tryckts in.

9.3.2 Kontrollera tryckslangarna

- i** Intervall: varje halvår
1. Kontrollera tryckslangarna för läckage och skador på metallflätan.
 - Slangarna ska bytas vid läckage eller allvarlig skada på metallhöljet.

9.3.3 Kontrollera pumpstyrningen

- i** Intervall: varje halvår
1. Tappa av vatten
 2. Kontrollera att inget vatten tappas av.
 3. Pumpen måste stängas av efter ung. 10–15 sekunder efter att avtappningen har stoppats.

9.3.4 Kontrollera glidringstättningen för läckage

- i** Intervall: varje halvår
- i** Lätt slitage av glidringstättningen är oundvikligt och påskyndas av slipande partiklar i pumpmediet.
1. Kontrollera för läckage i området mellan motor och pumphus.
 2. Vid läckage måste glidringstättningen bytas.
 - Bytet ska utföras av Resideos tekniska personal.

9.3.5 Kontrollera förladdningstrycket för membrantryckexpansionskärl

- i** Intervall: varje halvår
1. Ta av skyddslocket.
 2. Kontrollera förladdningstrycket. Ställ vid behov in det på 3,2–3,4 bar.

9.4 Underhåll

- i** Underhåll ska utföras av Resideo tekniska personal.

10 Felsökning

- i** Under garantiperioden ska tillverkaren kontaktas innan underhållsarbete utförs på systemet (endast arbete som krävs för uppstart och underhåll). Vår serviceavdelning hjälper gärna till. Finns ingen överensstämmelse, så gäller inte produktansvaret.

Fel	Möjlig orsak	Åtgärd	av
Pumpen är igång men suger inte	Pumpen är inte full Tankinloppet stängt	Fyll pumpen Öppna tankinloppet	Användare Användare
Pumpen startar och stänger av ofta	Läckande kran	Täta kranen	Användare
Pumpen kör, pumphastigheten eller trycket är inte tillräckligt	Pumpen suger in luft	Kontrollera sugledningen	Användare
Pumpen stänger av under drift och indikerar ett fel	Strömavbrott eller underspänning Termobrytaren har löst ut på grund av överhettning Jordläckagekrets brytaren (ELCB -- earth leakage circuit breaker) har löst ut	Kontrollera strömförsörjningen Kontrollera att pumpen går lätt Låt en behörig elektriker kontrollera isolationsmotståndet	Användare Service Service
Systemet startar inte	Pumpstyrningen indikerar ett fel	Tryck på återställningsknappen eller koppla från nätspänningen	Användare
Systemet stänger inte av	Främmande partiklar i pumpstyrningen	Rengör pumpstyrningen och byt vid behov	Service
Systemet är för högljutt	Pumpen ligger emot säkerhetsskruvarna	Justera pumpen för hand så att pumpen inte ligger mot skruvarna	Användare
Tanken flödar över	Kontaminering i ventilen	Åtgärda smuts/kalkavlagringar i ventilen och byt flottören vid behov	Service

10.1 Åtgärder för att eliminera tryckstötår

10.1.1 Storleksökning av inloppsledningen

I enlighet med SS-EN 806-5 för flöden på > 0,5 liter/s ska en minsta rörinnerdiameter på 20 mm väljas.

10.1.2 Ställa in tryckreduceringsventilen

Om ett statiskt tryck å 5 bar kan avläsas på tryckmätaren och trycket faller till 2,5 bar när ventilen öppnas måste det statiska trycket sänkas med 1 bar. Tryckstötår inträffar vid tryckskillnader på mer än 2 bar.

10.1.3 Strypa tryckstötår

Om en stoppventil eller tryckreduceringsventil har installerats i dricksvattenledningen uppströms i systemet så måste den stängas tills tryckstötåren försvinner. Nackdelen med denna metod är de små matningsmängderna. Det måste kontrolleras att matningsmängden är tillräcklig för normal användning. Vattenbristövervakningen får dock inte vara aktiverad vid maximal avtappning. Om vattenbristövervakningen ändå aktiveras måste även nedströmssidan strypas.

10.1.4 Membrantryckexpansionskär

Installera ett 8 liters membrantryckexpansionskär i ledningen före systeminloppet. Med den här behållaren minskas allvarliga tryckfall från tunna ledningar och stötår begränsas utan att flödet stryps.

11 Nedstängning, demontering, omstart

11.1 Nedstängning av återströmningsskyddet



VAR FÖRSIKTIG!

Risk för personskador på grund av elektrisk spänning.

Höga chockströmmar och brännskador på grund av direkt och indirekt kontakt med strömförande delar.

- ▶ Slå från strömförsörjningen innan återströmningsskyddet stängs av och säkra det mot omstart.
- 1. Koppla från systemet från strömförsörjningen och skydda den mot att startas.
- 2. Demontera systemet korrekt.
- 3. Stäng dricksvatteninloppet och tryckledningen.
- 4. Skölj systemet ordentligt.
- 5. Tappa ur systemet.

11.2 Starta om återströmningsskyddet

Observera procedurerna i kapitel 7

12 Förvaring

12.1 Kortvarig förvaring

Kortvarig förvaring är möjlig utan ytterligare förberedelser under angivna miljöförhållanden.

12.2 Lagring/konservering



VAR FÖRSIKTIG!

Lagerskada pga. frost, fukt, smuts, UV-strålning eller skadedjur

Korrosion/kontaminering av systemet!

- ▶ Skydda systemet mot frost, förvara inte utomhus.



VAR FÖRSIKTIG!

Fuktiga, smutsiga eller skadade öppningar och förgreningar

Risk för läckage och skador på systemet!

- ▶ Täck endast över öppningar i systemet under installation.

12.3 Förvaringsvillkor

Förvaringsplats	stängt rum, torrt och dammfritt
Omgivningstemperatur	5 °C till 40 °C (inkl. batteripaket)
Relativ luftfuktighet	max. 50 % rel. fukt.

13 Omhändertagande

Följ de lokala föreskrifterna för korrekt återvinning eller bortskaffande av avfall!

14 Reservdelar

För reservdelar, gå in på homecomfort.resideo.com/europe

15 Upstartprotokoll

Följande "Resideo Compact Booster Unit" togs i drift idag av undertecknad, auktoriserad Resideo-servicepersonal som upprättade det här protokollet

1. Kompaktbooster

Serie _____
 Storlek _____
 Serienummer _____
 Ordernummer _____

2. Kund/driftställe

Kund	Driftsplats
Namn _____	_____
Adress _____	_____

3. För driftinfo, se kretsschemat för ytterligare info

Tillslagningstryck	pE bar	_____
Övervakning av förladdningstrycket	pföre - x	_____
Inställningsvärde för förladdningstryckbrytaren		_____
Frånslagningstryck	pA bar	_____
Förtryck	pföre bar	_____
Förtryck tank	pföre bar	_____

4. Viktiga anteckningar

I enlighet med DVWG processblad W314 gällande tryckkökningsanordningar är företagets som använder systemet skyldiga att meddela vattenförsörjningsföretaget om att systemet tas i drift.

Om systemet dessutom drivs med tryckkärl i grupp III/IV i enlighet med tryckkärlsföreskrifterna så måste även TÜV informeras. Driftansvarigt företag eller deras kund intygar att de är fullt utbildade för drift och underhåll av kompaktboostern.

Eventuella störningar som uppstod vid uppstart

Defekt 1

Schemalagd åtgärd

Resideo-kundens namn

Leverantörens och entreprenörens namn

Ort

Datum

16 Intyg om att det inte föreligger några invändningar

Typ

Beställningsnummer/Artikelnummer ³⁾ _____

Leveransdatum _____

Användningsområde _____

Pumpmedium³⁾ _____

Markera om tillämpligt³⁾:



radioaktivt



explosivt



korrosiv



giftig



skadligt för hälsan



biologisk risk



brandfarligt



ofarligt

Anledning till returen³⁾ _____

Noteringar: _____

Systemet/tillbehören måste tömmas noga och rengöras såväl på utsidan som insidan.

- Det krävs inga särskilda säkerhetsåtgärder för fortsatt hantering.
- Följande säkerhetsåtgärder gällande spolmedium, restvätskor och deras avfallshantering måste utföras:

Vi säkerställer att ovanstående information är korrekt och fullständig och leveransen kommer att göras enligt lagstadgade bestämmelser.

Ort, datum och signatur

Adress

Företagsstämpel



Manufactured for
and on behalf of

Pittway Sàrl, Z.A., La Pièce 4,
1180 Rolle, Switzerland

by its authorised representative
Ademco 1 GmbH

For more information
homecomfort.resideo.com/europe

Ademco 1 GmbH, Hardhofweg 40,
74821 MOSBACH, GERMANY

Phone: +49 6261 810
Fax: +49 6261 81309