

Braukmann CBU142/CBU142FU

Installation instructions

Einbauanleitung

Monteringsvejledning

Instruksjoner for installasjon

Monteringsanvisning

CBU142 (On/Off)



CBU142FU



Compact Booster Unit - single pump

Einzelpumpen - Sicherheitstrennstation

Kompakt trykforøgeranlæg - enkelt pumpe

Kompakt trykforsterker - enkelt pumpe

Kompaktbooster – enkelmpump

1 Safety Guidelines

1. Follow the installation instructions.
2. Use the appliance
 - according to its intended use
 - in good condition
 - with due regard to safety and risk of danger.
3. Note that the appliance is exclusively for use in the applications detailed in these installation instructions (see 4.2 Technical Data). Any other use will not be considered to comply with requirements and would invalidate the warranty.
4. Please take note that any assembly, commissioning, servicing and adjustment work may only be carried out by authorized persons.
5. Immediately rectify any malfunctions which may influence safety.

1.1 General comments

- The operating manual includes basic instructions for assembly, operation and maintenance. They ensure safe handling and avoids personal injuries or property damage
- Observe all safety instructions.
- Before assembly and start-up, the manual has to be read by the operator as well as by the responsible technical/operating personnel and has to be stored at the site of the compact booster unit at all times.
- This operating manual must always remain accessible at the plant.
- Instructions and markings that are directly attached to the product have to be observed and must be kept completely legible. This applies for example to:
 - Arrow for flow direction
 - Connection labels
 - Identification plate

1.2 Intended use

The compact booster unit may only be operated in such areas as described in the other applicable documents.

- Operate the compact booster unit only if it is in perfect working condition.
- Do not operate the compact booster unit if it is only partially assembled.
- The compact booster unit may only be used to pump the medium as described in the documentation of the respective version.
- Never operate the compact booster unit without pump medium.
- Observe the values for minimum pumping rates (avoiding damage because of overheating, storage damage, ...).

- Observe the values for maximum pumping rates (to avoid damage due to overheating, floating ring seal damage, cavitation damage, storage damage, ...).
- Do not throttle the input of the compact booster unit (to avoid cavitation damage).
- Other modes of operations, if not mentioned in the documentation, have to be coordinated with the manufacturer.

1.3 Personnel qualification and training

- Only let specially qualified personnel perform repair and maintenance work.
- The area of responsibility and supervision of the personnel must be precisely regulated by the operator during transport, installation, operation, maintenance and inspection.
- This compact booster system may only be assembled, started, maintained, and shut down by persons who have been trained, instructed and authorised to do so.
- In some cases, training can be arranged by the manufacturer if asked by the operator.
- Training or personnel to operate system may only be conducted under the supervision of specialised technicians.

1.4 Consequences and dangers that result from not observing the manual

- Not observing this manual will lead to loss of the warranty and make damage claims invalid.
- Failure to observe the manual can lead, for example, to the following dangers:
 - Hazard to persons caused by electrical, thermal, mechanical, and chemical influences
 - Loss of important product functions
 - Failure to perform required maintenance and service measures
 - Environmental hazard caused by leakage of hazardous substances

1.5 Safety-conscious working

Besides the safety instructions presented in this manual and its intended use, the following safety regulations are valid:

- Accident prevention regulations, safety and operating regulations
- Explosion prevention and protection regulations
- Safety regulations for handling hazardous substances
- Applicable standards, regulations and laws

1.6 Safety instructions for the operator/ operating personnel

- Provide on-site protection against contact for hot, cold, and moving parts and check if they function properly.
- Do not remove the protection against contact during operation of the pump.
- Eliminate hazards caused by electrical energy (for details refer to the country specific regulations and/or local power supply companies).
- If there is no risk of the hazard potential being increased by switching off the pump, provide an emergency stop command device in the immediate vicinity of the pump / pump unit when installing the pump set.

1.7 Safety instructions for maintenance, inspections and assembly

- Alterations or modifications of the system are only permitted with the consent of the manufacturer.
- Use only original parts or parts authorised by the manufacturer.
- Use of parts other than those authorised may lead to loss of liability for any damage they may cause.
- The compact booster unit is assembled, commissioned, maintained, and shut down solely by sufficiently qualified and authorised personnel.
- The operator must ensure that the compact booster unit is maintained and assembled by sufficiently qualified and authorised personnel.
- Perform service on the system only when the machine is off.
- The pump housing has to be at ambient temperature.
- The pump housing has to be depressurised and empty.
- The procedures described in the manual for shutting down the system have to be observed under all circumstances.
- Reinstall safety equipment and protective devices and activate them again immediately after work on the system has been completed. Before starting up again, observe the start-up checklist.
- Keep unauthorised persons (e.g. children) away from the system.
- Wait at least 10 minutes before opening the compact booster unit or before removing the power voltage

1.8 Unauthorised operation types

The limits that are stated in the documentation have to always be complied with. The delivered system is only guaranteed to operate reliably when it is used as intended.

2 General information

2.1 Basic Principles

The manual is a part of the series and the versions as mentioned on the title page. The manual describes the safe and proper use in all modes of operation.

The manual describes the safe and proper use in all modes of operation.

The type label indicates the series and size, the most important operating data and the order number. The factory number/serial number describes the identifies the system uniquely and serves this purpose for all further business transactions.

2.2 Installation of the incomplete machine

For installation of incomplete machines, refer to the respective chapter Maintenance.

2.3 Target group

Target group for the operating instructions is technical trained personnel.

2.4 Other applicable documents

Documents	Contents
Supplier documentation	Operating manuals and further documentation of auxiliary equipment and integrated machine parts

2.5 Safety instructions in this manual



DANGER!

Places with this sign signify that death, severe bodily injury or significant property damage will occur if the appropriate precautionary measures are not followed!



WARNING!

Places with this sign signify that death, severe bodily injury or significant property damage may occur if the appropriate precautionary measures are not followed!



CAUTION!

Places with this sign signify that small bodily injury or slight property damage may occur if the appropriate precautionary measures are not followed!



DANGER!

General danger zone

In combination with a signal, this symbol indicates danger of death or injury.

**HAZARDOUS VOLTAGE!****Hazardous voltage**

In combination with a signal, this symbol indicates danger of injury from electrical voltage and information for protection of electrical voltage.

**CAUTION!****Machinery defect**

In combination with the signal CAUTION, this symbol indicates danger of the machine and its functions.

3 Transportation and Storage

3.1 Check condition upon delivery

1. Check the contents of each package for damage upon delivery.
2. In the case of transport damage estimate the extent, document the damage and notify Resideo immediately in writing.

3.2 Transportation

**DANGER!**

Overturning of the compact booster unit

Danger of being crushed by compact booster unit!

- ▶ Never get the system tangled in electrical lines.
- ▶ Follow the local safety regulations.
- ▶ Consider weight, balance point and suspension point
- ▶ Use only appropriate and authorised means of transportation, as crane, fork lift or hand lift.
- ▶ By using a crane, attach and transport the safety separation station as illustrated otherwise move the pallet with a forklift or pallet truck.



Fig. 1 Attaching the lifting means and transportation

Selecting the adequate transportation device for the weight class.

1. Remove packaging and caps in the connection openings
2. Check the damage in transit.
3. Transport the compact booster unit to the assembly site
4. Lift the compact booster unit with a suitable lifting device from the pallet
5. Sling the compact booster unit as shown.
6. Lift the compact booster unit with a suitable lifting device from the pallet and dispose the pallet
7. Put the compact booster unit carefully down at the installation site.

3.3 Storage/Preservation

**CAUTION!**

Damage during storage caused by frost, humidity, dirt, UV radiation or pests

Corrosion/Contamination of the compact booster unit!
Protect the compact booster unit against frost, do not store outside.

**CAUTION!**

Damp, dirty or damaged openings and junctions
Leakage or damage of the compact booster unit!

- ▶ Uncover openings in the compact booster unit only during installation.

3.4 Return delivery

1. Remove the power plug from the plug socket
2. Rinse and clean the compact booster unit, especially for harmful, explosive, hot or other high-risk fluids.
3. If pumped liquids have been transported whose residues with the humidity lead to corrosion damage or ignite in the event of oxygen contact, the compact booster unit must be additionally neutralized and blown through with anhydrous gas to dry.
4. The compact booster unit must always be accompanied by a fully completed declaration of non-objection. It is imperative that you indicate any applied safety measures and decontamination measures.

3.5 Disposal

**WARNING!**

Hazardous or hot pump medium
Hazardous for humans and environment!

- ▶ Collect and dispose drilling fluid
- ▶ Wear protective clothing and mask if necessary.
- ▶ Observe the legislature concerning disposal of hazardous media.

1. Remove compact booster unit.
Collect grease and lubricants during disassembly
2. Separate the pump materials for example according to:
 - Metal
 - Synthetic material
 - Electronic junk
 - Grease and lubricants
3. Dispose according to local regulations or have them disposed of according to regulations.

Electrical appliances or electronic equipment marked with the adjacent symbol may not be disposed of with household waste at the end of its service life.

To return, contact the local disposal partner.

If the old electrical appliance or electronic device contains personal data, the user himself is responsible for their deletion before the devices are returned.

4 Description

4.1 General description

Fully automatic, ready-for-connection compact booster unit consisting of a single pump unit and a buffer tank provides hygienic separation of drinking water and protects against non-drinking water of liquid category 5 according to EN 1717.

Version without speed control:

A fully automatic control system switches the pump unit on and off depending on pressure and switches it off depending on the flow. If the pressure falls below the preset pressure setting, the pump unit switches on and generates a constant pressure, the pump unit switches on and generates a constant pressure. With consumption decreases and the flow falls below the minimum flow rate, the pump unit switches off. The connection for dry-running protection is designed as a digital input. If the connection is open, the control unit switches off the compact booster unit after approx. 10 seconds (factory setting).

Version with speed control:

A fully automatic control system switches the pump unit on and off depending on the pressure. If the pressure falls below the preset pressure setting, the pump unit switches on and generates a constant pressure. As consumption decreases and the pressure falls below the set pressure, the pump unit switches off.

The connection for dry-running protection is designed as a digital input. If the connection is open, the control unit switches off the compact booster unit after approx. 10 seconds (factory setting).


4.2 Technical Data

Media	
Medium:	Industrial water Cooling water Liquids which do not attack the materials chemically and mechanically. max. +30 °C
Flow rate:	
CBU142 (ON/OFF)	up to 8 m ³ /h, 2,22 l/s
CBU142FU	
Max. pumping head:	
CBU142 (ON/OFF)	76 m
CBU142FU	70 m
Connections/Sizes	
Connection sizes:	G 1 1/4" - R 1 1/4"
Pressure values	
Max. operating pressure:	
CBU142 (ON/OFF)	8 bar
CBU142FU	6,5 bar
Specifications	
Actuator:	1-Phase-alternating current (AC) motor
Supply voltage:	230 V, 50 Hz
Protection class:	
CBU142 (ON/OFF)	IP55
CBU142FU	
Thermal class:	F
Power:	1.5 kW (P _N)
Current consumption:	9.0 A
Empty weight:	81 kg
Tank volume:	100 litre
Automation:	
CBU142 (ON/OFF)	Switching device, Pressure-dependent switching on and flow-dependent switching off
CBU142FU	Single-phase frequency inverter, motor-mounted, Pressure-dependent switch-on and switch-off

4.3 Options

For Options visit homecomfort.resideo.com/europe

4.4 Identification plate

Identification plate CBU142 (ON/OFF)		Identification plate CBU142FU	
①	Pittway Sàrl, Z.A. CH-1180 Rolle La Pièce 4 Braukmann CBU142-32A-065 Date code 1903	⑤	
②	230 V / 50 Hz 1 ~ 9.0 A	②	⑤
③	H _{max} : 76.0 m Q _{max} : 8.0 m ³ /h	③	⑥
④	1.5 kW IP 55	④	⑦
	CE  Made in Germany 29134997		⑧
			⑧

1	Series, Size	5	Data code
2	Mains voltage, current consumption	6	Max. permissible flow rate
3	max. pumping head	7	Ingress protection rating
4	Power consumption	8	Product code

Key for production number

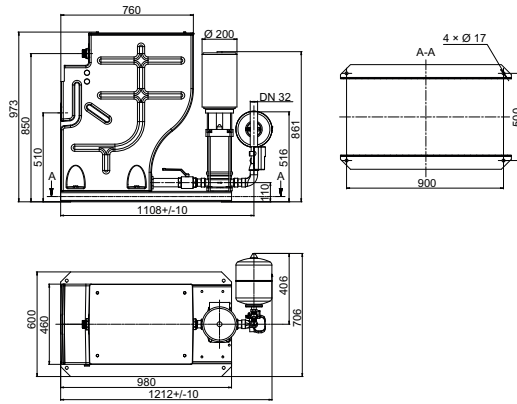
Item	Meaning
19	Year of production
03	Week of production

Note: For example: 1903

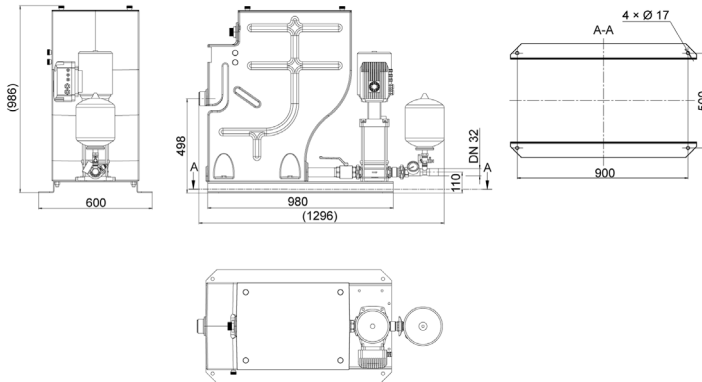
4.5 Dimensions

Overview

CBU142 (ON/OFF)



CBU142FU



Note: All dimensions in mm unless stated otherwise.

5 Installation Guidelines

5.1 Testing before set-up



WARNING!

Installation on non-level and non-structural installation sites

Personal and property damage!

- ▶ Ensure sufficient compressive strength according to class C12/15 for concrete in the exposition class X0 according to EN 206-1.
- ▶ Installation location has to be horizontal
- ▶ Observe the weight



NOTICE

Sufficient noise insulation for the building is ensured due the compact booster unit's safety store.



NOTICE

Do not operate the compact booster unit near living rooms and bedrooms.

Check the following points prior to installation:

- Inspect the building architecture and prepare it according to the dimension sheet.
- According to specifications on the type label, the system is suitable for the electric supply network.
- Frost-free installation location
- Lockable installation location
- Well ventilated installation location
- A sufficiently dimensioned dewatering connection (drain connection or similar) is required (observe EN 12056).
- If available, observe the creep resistance of the compensator.
- Compensators have to be able to be easily replaced.

5.2 Installation compact buster unit



WARNING!

The compact booster unit is top heavy.

Danger of injury of overturning of the compact booster unit

- ▶ Secure the system so that it cannot tip over before it has been permanently anchored.
- ▶ Anchor the system securely to the foundation.



To avoid the transfer of pipeline forces and structure-borne sound to the compact booster unit, it is recommended to install compensators with a tie bar.

Packaging is removed

Suitable location is selected according to specifications

For service work there is sufficient space in all directions.

1. Mark the installation holes on the floor as described in the data sheet.
2. Drill holes (maximum Ø12 mm).
3. Insert suitable, proper sized dowels.
4. Position the system for installation.
5. Anchor the system solidly to the foundation with adequate bolts.

5.3 Connecting pipeline



CAUTION!

Airbag formation in the suction line

Compact booster unit can not suck in any medium!

- ▶ Install the pipeline rising

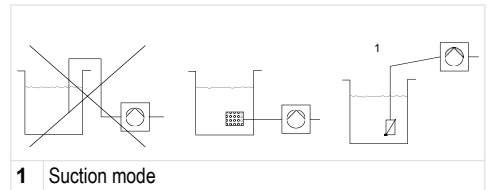


Fig. 2 Correct connection of the pipeline

The use of compensators with tie bars is recommended.

1. Always install pipelines so that they are free of tension.
2. Pipeline with discharge pressure lines with the distribution lines on the backfeed and discharge side.

5.3.1 Installation of pipeline compensator



DANGER!

Sparks and radiant heat

Fire hazard!

- ▶ Take appropriate measures to protect the compensator during welding work in the vicinity.



CAUTION!

Leaky compensator

Flooding the installation room.

- ▶ Check regularly for rips and blisters, exposed material or other defects.

The compensator is provided with a structure-borne sound insulation to intercept the length limitation to absorb any reaction forces.

1. Install the compensator in the pipeline without tension.
2. Fasten bolts equally cross-wise.
3. Do not paint the compensator and always protect it against oil.
4. The compensator has to be accessible on the compact booster unit at any time for inspection purposes and for this reason should not be included in the pipe insulation.
5. The compensator is subject to wear.

5.4 Electrical connection



HAZARDOUS VOLTAGE!

Unqualified persons working on the compact booster unit

Danger to life from electric shock!

- ▶ Work on electrical equipment may only be performed by specialist electric technicians.
- ▶ Observe IEC 60364 regulations.



HAZARDOUS VOLTAGE!

Faulty mains connection

Damage to the electricity network, short circuit!

- ▶ Observe the conditions for technical connections of the local power supply companies.

The diameter of the electrical supply line has to be determined according to the total connection value.

6 Commissioning/ Decommissioning

6.1 Commissioning

6.1.1 Start-up requirements



CAUTION!

Dry running pump

Damage of the pump / Compact booster unit

- ▶ If the dry running protection is deactivated, then the operator takes responsibility in the case of dry running.

Before start-up of the compact booster unit, the following points have to be ensured:

- The compact booster unit is electrically connected to all protective devices in accordance with the regulations.
- The relevant VDE and country-specific regulations have to be adhered to and fulfilled.

6.1.2 Fill up and vent the compact booster unit



CAUTION!

The pipeline is not free of residue

Damage of the pump / Compact booster unit

- ▶ Before start-up (and testing) make sure that pipelines and compact booster unit are free of residues.



The compact booster unit is hydraulically tested with water and then emptied before delivery. The whereabouts of residual water is technically unavoidable.

Remove the caps of the connection openings shortly before installation

Before start-up of the compact booster unit, observe EN 806.

After long service life, a rinse or professional disinfection is recommended.

For larger or widely branched piping systems, the rinsing of the compact booster unit can be done locally.



Floating ring seals may briefly show signs of leakage during start-up, but no longer after a short period of operation.

- Pipe fittings between pump and pipeline have to be tightened.
 - The original operating manual of the pump is available.
 - Flange connections have to be checked if they are fastened tightly.
 - In and output openings for air-cooling of the motor are free.
 - All shut-off valves in the system are open.
 - The precharge pressure of the membrane pressure vessel is checked.
1. Open the vent screws on the pump according to the original operating instructions of the pump set.
 2. Slowly open the shut-off valves on the input side and fill the system until pump medium runs out of every ventilation borehole.
 3. Close the ventilation screws, tighten pump ventilation lightly.
 4. Switching on the compact booster unit.
 5. Loosen the vent screws and allow any remaining air to escape.
 6. Open shut-off valve.
 7. Loosen the vent screws and allow any remaining air to escape.
 8. Tighten the vent screw.
 9. Check if the pump runs smoothly.
 10. Close the pressure-side shut-off valve and check whether the pump reaches the zero point.
 11. Close shut-off valve
Pump switches off

6.1.3 Switch on

Version without speed control:

The compact booster unit is filled and ventilated

1. Insert mains plug in the electrical socket.

Version with speed control:

The compact booster unit is filled and ventilated

1. Insert mains plug in the electrical socket.
 - When the power supply is active, the red standby LED of the frequency inverter lights up
 - When the system is ready for operation, the green SET LED of the frequency inverter flashes
2. Press the Start/Stop button of the frequency inverter
 - Pump unit starts, the frequency of the flashing operation LED increases
 - When the operating LED is lit continuously, the setpoint is reached

6.1.4 Start-up checklist

Work steps	Action	finished
1	Read operating manual.	
2	Check the voltage supply and compare with the values on the type label.	
3	Check the grounding system (by measurement).	
4	Check the mechanical connection to the water supply system. Tighten the flanges and the screws.	
5	Fill and ventilate the compact booster unit from the input side.	
6	Check the refilling.	
7	Check the switching device to see if all electrical lines are still securely plugged into the clamps.	
8	Check the preset value, correct if necessary.	
9	Check if the dry running protection is functioning. If not available, note in start-up protocol.	
10	Venting the pump a second time, after it has been running for a few minutes (5 to 10).	
11	Check the precharge pressure	
12	Fill out the start-up protocol with the operator and show the operator how the machine functions.	

6.2 Limits of operating range



DANGER!

Exceeding the limits

Damage to the pump unit!

- ▶ Observe the operating data specified in the data sheet.
- ▶ Avoid operation against closed shut-off valve.
- ▶ Never operate the pump set outside the limits specified below.



DANGER!

Risk of explosion!

Exceeding the limit of use regarding to the pumped medium.

- ▶ Never pump different fluids that can chemically react with each other.
- ▶ Never pump a flammable medium with a medium temperature above the ignition temperature.



CAUTION!

Excessive temperature difference between medium and pump

Damage of the machine!

- ▶ The temperature difference between medium and pump must never exceed 60 °C.
- ▶ In cases where the temperature difference between the pump and the medium is higher than 30 °C, slowly fill / warm the pump to avoid the risk of a temperature shock.

The operating range depends on the application and a combination of pressure and temperature.

6.2.1 Environmental conditions

Keep parts in their original packaging and unpack them shortly before use.

The following parameters apply during transportation and storage:

Parameter	Value
Environment:	clean, dry and dust free
Min. ambient temperature:	0 °C
Max. ambient temperature:	
CBU142 (ON/OFF)	+40 °C
CBU142FU	+30 °C
Max. ambient relative humidity:	85 % *

*non condensing

6.2.2 Max. operating pressure



CAUTION!

Exceeding the permissible operating pressure.

Damage to seals and connections!

- ▶ Do not exceed the operating pressure in the data sheet.

6.2.3 Pumped medium

- Industrial water
- Cooling water
- Liquids which do not attack the materials chemically and mechanically.

6.3 Decommissioning

6.3.1 Switch off

Version without speed control:

1. Pull out the electrical mains plug

Version with speed control:

1. Press the Start/Stop button of the frequency inverter
 - The pump unit stops, the green operation LED disappears
2. Pull out the electrical mains plug

6.3.2 Procedures for shutting-down

The compact booster unit is disconnected from the power supply.

1. Close ball valve
2. If available, connect the inlet to the tank.
3. Open drain plug 1 and empty the tank.



Fig. 3 Open drain plug

Example CBU142

- | | |
|---|------------|
| 1 | Drain plug |
|---|------------|

7 Operation



CAUTION!

Improper operation

Damage to the pump system!

- ▶ Ensure that all local requirements are achieved, in particular the Machinery Directive and the Low-Voltage Directive.
- ▶ Check electrical wiring before start-up.

7.1 Pump control unit

Version without speed control:

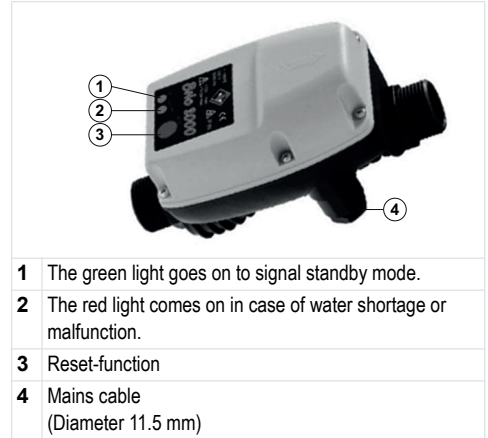


Fig. 4 Pump control unit (outside)

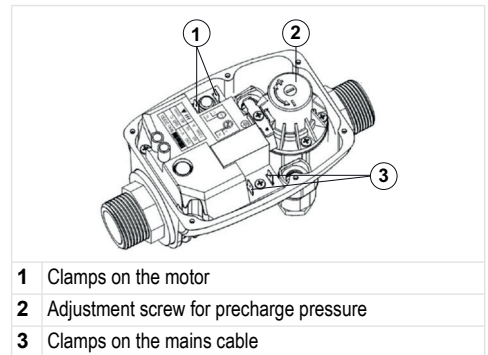


Fig. 5 Pump control unit (inside)

Version with speed control:

- i** An app is available for specially trained service personnel to connect to the drive is available. This app can be purchased in the Google Playstore or iOS Appstore.

The frequency inverter is motor-mounted and self-cooling. It is equipped with the following indicators:

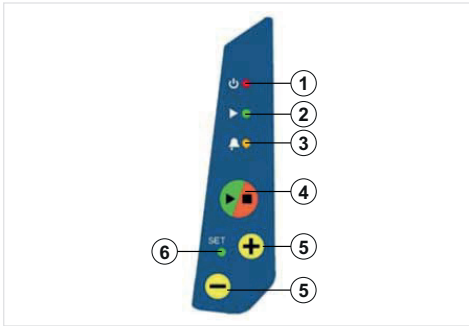


Fig. 6 Display

1	Red standby LED Lights up when the drive is supplied with power.
2	Green operation LED Flashes with varying frequency. The closer the measured pressure is to the set pressure, the higher the frequency.
3	Yellow alarm LED
4	Start/Stop button Starts the pump unit.
5	+/- knob to adjust the pressure +/- knob in manual mode to adjust the speed of the motor.
6	Green SET LED Flashes when the pump unit is ready for constant pressure mode.

7.2 Functions and features

7.2.1 Version without speed control

Change switch-on pressure

The switch-on pressure is adjustable within a range of 2 to 3.5 bar

1. Unscrew the screws of the cover with a suitable tool and remove the cover.
2. Rotate adjustment screw and set the switch-on pressure to the desired value.
3. Replace cover and tighten the screw hand-tight.

Reset error messages

The red light comes on in case of water shortage or malfunction.

The cause of the fault is detected and eliminated.

1. Press reset button for approx. 3 seconds.

7.2.2 Version with speed control



The drive is pre-configured at the factory.

Model	V_{On}	max. V_{Off}	max. I_{On}	max. I_{Off}	Engine power P_2
	V AC	V	A	A	kW
MIDA 205	1~230 +/-15 %	3~230	8	5	1,1

Pump unit is properly switched on

1. Open the valve in the pressure line easily
2. If the SET LED of the frequency inverter flashes, press the +/- button until the SET LED lights up continuously
3. Press (+) to increase the switch-on pressure, press (-) to decrease the switch-on pressure
 - The setting is automatically accepted after 3 seconds

8 Maintenance

8.1 General information/Safety regulations



HAZARDOUS VOLTAGE!

Unintentionally switching on the compact booster unit

Danger to life!

- ▶ The compact booster unit has to be voltage free for all repairs and maintenance work. (Pull out the electrical mains plug)
- ▶ Secure against restart.



WARNING!

Inappropriate lifting/moving of heavy modules or components

Risk of injury or property damage!

- ▶ When moving heavy modules or components, use suitable transport devices, lifting devices and lifting accessories.



CAUTION!

Unqualified persons working on the compact booster unit

Risk of injury!

- ▶ Only let specially qualified personnel perform repair and maintenance work.



CAUTION!

Inappropriately maintained compact booster unit

The proper function of the compact booster unit can no longer be ensured!

- ▶ Maintain the compact booster unit regularly.
- ▶ Set up a maintenance schedule for the compact booster unit that focuses especially on the pump lubrication, shaft seal and clutch.

The compact booster unit is assembled, commissioned, maintained, and shut down solely by sufficiently qualified and authorised personnel.

- Always observe the safety regulations and instructions.
- Observe the instructions for working on the pumps.
- In case of damage, please contact our service department.
- By setting up a maintenance schedule, the required maintenance to avoid expensive repairs and achieve fault-free and reliable functioning of the compact booster unit is held to a minimum.
- Avoid any use of force in connection with disassembly and assembly.
- During normal operation, no biological danger results from the compact booster unit.
- Hazards might result microbiological contamination.

- Please clean the buffer tank regularly with clean drinking water!

8.2 Maintenance

8.2.1 Monitoring Operation



CAUTION!

Dry running causes increased wear

Damage to the pump unit!

- ▶ Never operate the pump unit when it is empty.
- ▶ Never close the shut-off valve in the suction line and/or supply line during operation.



CAUTION!

Exceeding the permissible temperature for the pumped medium

Damage to the pumps!

- ▶ Operation is not permitted with closed shut-off valves over longer periods of time (overheating of pump medium).
- ▶ Observe the temperature values as stated in the data sheet and under technical data.

During operation observe and check the following points:

- Compare the precharge pressure of the membrane pressure vessel to the recommended values.
- Check the running noise of the roller bearings. Vibrations, noise, and increase in power consumption for consistent operating conditions are a sign of wear.
- If available, observe the functions of the additional connections.

8.2.2 Maintenance schedule

Interval	Measure
Min. once a year	The pump and drive motor should run smoothly, the floating ring seals should not leak
	Check if the shut-off, drain and check valves function properly and don't leak.
	Strainer in the pressure reducing valve, if applicable
	Check the compensators for wear (if applicable).
	Check the precharge pressure and, if necessary, check if the membrane pressure vessel leaks.
	Check automatic switching.
	Check the switch-on/off points of the system.
	Check the water supply, precharge pressure, water shortage monitoring, and pressure reducing valve.
	Check if the overflow is sealed and clean.

8.2.3 Set the precharge pressure



DANGER!

Filling wrong gas in expansion vessel

Danger of poisoning!

- ▶ Only fill the pressure pad with nitrogen.



CAUTION!

Precharge pressure too high

Danger of damaging the tank!

- ▶ Observe the values as stated by the manufacturer of the tank (refer to type label or the tank manual).

The precharge pressure for the pressure vessel should be set to a value that is lower than the programmed switch-on pressure.

Example: Precharge pressure 10% below the switch-on pressure

Precharge pressure of the membrane pressure vessel $p = 0.9 \times p_E$

p_E = switch-on pressure of the compact booster unit

Recommendation

These are average values. Experiments conducted on tanks have shown that the best storage volumes were achieved for pressures >3bar with a factor of 0.9 and pressures of <3bar with a factor of 0.8.

Example:

$p_E = 5$ bar: Precharge pressure $5 \times 0.9 = 4.5$ bar

$p_E = 2$ bar: Precharge pressure $2 \times 0.8 = 1.6$ bar

Check the precharge pressure :

1. Close shut-off valves under the membrane pressure vessel.
2. Empty the membrane pressure vessel via the drain valve.
3. Unscrew the protective cap of the valve on the membrane pressure vessel and store it
4. Use a suitable checking device (eg tire-pressure gauge) to check the precharge pressure.
5. Mount the protective cap of the valve on the membrane pressure vessel.

Fill the membrane pressure vessel

- Unscrew the protective cap of the valve on the membrane pressure vessel and store it
- Refill nitrogen via the valve.
- Mount the protective cap of the valve on the membrane pressure vessel.

8.3 Replace switching device

1. Remove the power plug from the plug socket
2. Pipework needs to be drained
3. Close ball valve
4. Loosen union nut of the switching device
5. Replace switching device
6. Fill up pipelines
7. Put power plug into the plug socket
8. press reset-button on the switching device

9 Troubleshooting



WARNING!

Improper work for troubleshooting

Risk of injury!

- ▶ Observe the relevant instructions in this operating manual and / or the manufacturer's documentation



Our customer service department is at your service.
Failure to comply will lead to loss of any liability claims.

A	Compact booster unit shuts off
B	Pressure fluctuation on pressure side
C	The compact booster unit does not start.
D	The pump is running but doesn't pump water.
E	Compact booster unit is pumping too little
F	Pressure on pressure side too little
G	Pressure on pressure side too high
H	Leakage of the mechanical seal
I	Overheating of the motor/pump.
J	The motor protection switch is activated.
K	Compact booster unit does not turn off
L	Compact booster unit is turning on and off too often
M	Overheating of the motor/pump.

A	B	C	D	E	F	G	H	I	J	K	L	M	Cause	Remedy
x	-	x	-	-	-	-	-	-	-	-	-	-	Protection against dry running is not connected	Connect or bypass
x	-	x	-	-	-	-	-	-	-	-	-	-	The main power supply is interrupted	Check or eliminate the defect
x	-	x	-	-	-	-	-	-	-	-	-	-	Control fuse has triggered	Check and replace if necessary
-	x	x	x	x	x	-	-	x	-	-	x	x	Shut-off valves are only opened partially or not at all	Check and open if necessary
-	-	-	x	x	-	-	-	x	-	x	-	x	Pump or pipeline is not completely ventilated or filled up	Venting or filling up
-	-	-	-	-	x	-	-	x	x	-	-	x	Pump is sluggish	Pump has to be repaired by a professional
-	-	-	-	-	-	-	x	-	-	-	-	-	Mechanical seal is defect	Replace mechanical seal
-	-	x	-	-	-	-	-	x	-	-	-	x	inlet pressure in pressure vessel is not correct	Set inlet pressure, replace pressure bubble
-	-	-	-	-	-	-	-	-	-	-	x	-	System is leaky	Seal the system
-	-	-	x	-	-	-	-	-	x	x	-	x	check valve in compact booster unit is defect	Check and replace if necessary
-	-	-	x	-	x	-	-	-	-	x	x	-	Form is lower than indicated in the order data	Connect the tank
-	x	-	-	-	x	-	-	-	x	x	-	-	Water withdrawal is bigger than specified in the order data.	Query is necessary

10 Spare Parts

For Spare Parts visit homecomfort.resideo.com/europe

11 Declaration of no objection

Type _____

Order number/Order item number³⁾ _____

Delivery date _____

Range of Application _____

Pumped medium³⁾ _____

Make a check mark if applicable³⁾:



corrosive



oxidizing



flammable



explosive



hazardous to health



harmful to health



toxic



radioactive



dangerous for the environment

harmless

Reasons for the return³⁾ _____

Notes: _____

The system/the accessories has to be carefully emptied and cleaned on the exterior as well as the interior.

- No special safety precautions are required for further handling.
- The following safety precautions regarding rinsing medium, residual fluids and their disposal are required:

We ensure that the above information is correct and complete and delivery will be made according to statutory requirements.

City, date and signature

Address

Company stamp

12 Start-up protocol

The following so-called Resideo Compact Booster Unit was commissioned today by the signatories, authorised Resideo customer service staff, and this protocol was written

Compact booster unit

Series		
Size		
Serial number		
Order number		

Customer/Operating site

Customer	Operating site
Name	
Address	

Operating data refer to circuit diagram for additional data

Switch-on pressure	p _E bar	
Monitoring the precharge pressure	p _{before} - X	
Setting value for the precharge pressure switch		
Switch-off pressure	p _A bar	
Precharge pressure	p _{before} bar	
Precharge pressure tank	p _{before} bar	

The operating company or their customer herewith certifies to be fully trained in operation and maintenance of the compact booster unit. The circuit diagrams and instructions were also delivered.

Defects determined during start-up

Defect 1

Scheduled elimination

Name of Resideo customer

Name of supplier and contractor

City

Date

1 Sicherheitshinweise

1. Beachten Sie die Einbauanleitung.
2. Benutzen Sie das Gerät
 - bestimmungsgemäß
 - in einwandfreiem Zustand
 - sicherheits- und gefahrenbewusst.
3. Beachten Sie, dass das Gerät ausschließlich für den in dieser Einbauanleitung genannten Verwendungsbereich bestimmt ist (siehe 4.2 Technische Daten). Eine andere oder darüber hinausgehende Benutzung gilt als nicht bestimmungsgemäß.
4. Beachten Sie, dass alle Montage-, Inbetriebnahme, Wartungs- und Justagearbeiten nur durch autorisierte Fachkräfte ausgeführt werden dürfen.
5. Lassen Sie Störungen, welche die Sicherheit beeinträchtigen können, sofort beseitigen.

1.1 Allgemeines

- Die Einbauanleitung beinhaltet grundlegende Montage-, Betrieb- und Wartungshinweise. Die Beachtung dieser Hinweise gewährt einen sicheren Umgang mit der Maschine und dient der Vermeidung von Verletzungen und Sachschäden
- Sämtliche Sicherheitshinweise sind zu beachten!
- Vor Montage und Inbetriebnahme ist die Anleitung vom Bediener sowie vom zuständigen Fachpersonal/ Betreiber zu lesen und muss ständig am Einsatzort der Sicherheitstrennstation verfügbar sein.
- Diese Einbauanleitung muss immer griffbereit an der Anlage sein.
- Direkt am Produkt angebrachte Hinweise und Kennzeichnungen müssen beachtet und in vollständig lesbarem Zustand gehalten werden. Das gilt beispielsweise für:
 - Drehrichtungspfeil
 - Kennzeichen für Anschlüsse
 - Typenschild

1.2 Bestimmungsgemäße Verwendung

Die Sicherheitstrennstation darf nur in solchen Einsatzbereichen betrieben werden, die in den mitgeltenden Dokumenten beschrieben sind.

- Die Sicherheitstrennstation nur in technisch einwandfreiem Zustand betreiben.
- Die Sicherheitstrennstation nicht in teilmontiertem Zustand betreiben.
- Die Sicherheitstrennstation darf nur das in der Dokumentation der betreffenden Ausführung beschriebene Medium fördern.
- Die Sicherheitstrennstation nie ohne Fördermedium betreiben.

- Die Angaben zu Mindestförderströmen beachten (Vermeidung von Überhitzungsschäden, Lagerschäden, ...).
- Die Angaben zu Maximalförderströmen beachten (Vermeidung von Überhitzung, Gleitringdichtungsschäden, Kavitationsschäden, Lagerschäden, ...).
- Die Sicherheitstrennstation nicht eingangsseitig drosseln (Vermeidung von Kavitationsschäden).
- Andere Betriebsweisen, sofern nicht in der Dokumentation genannt, mit dem Hersteller abstimmen.

1.3 Personalqualifikation und -schulung

- Reparatur- und Wartungsarbeiten sind nur durch speziell geschultes Personal durchzuführen!
- Verantwortungsbereiche des Personals und deren Überwachung müssen durch den Betreiber genau für Transport, Montage, Betrieb, Wartung und Prüfungen geregelt sein.
- Diese Sicherheitstrennstation darf nur von Personen montiert, in Betrieb genommen, instand gehalten und ausser Betrieb genommen werden, die dafür ausgebildet, eingewiesen und befugt sind.
- Gegebenenfalls kann die Schulung durch Beauftragung des Herstellers/Lieferanten durch den Betreiber erfolgen.
- Schulungen an der Anlage dürfen nur unter Aufsicht von technischem Fachpersonal durchgeführt werden.

1.4 Folgen und Gefahren bei Nichtbeachtung der Anleitung

- Die Nichtbeachtung dieser Anleitung führt zum Verlust der Gewährleistungs- und Schadensersatzansprüche.
- Die Nichtbeachtung kann beispielsweise folgende Gefährdungen nach sich ziehen:
 - Gefährdung von Personen durch elektrische, thermische, mechanische und chemische Einwirkungen
 - Versagen wichtiger Funktionen des Produkts
 - Versagen vorgeschriebener Methoden zur Wartung und Instandhaltung
 - Gefährdung der Umwelt durch Leckage von gefährlichen Stoffen

1.5 Sicherheitsbewusstes Arbeiten

Neben den in dieser Einbauanleitung aufgeführten Sicherheitshinweisen sowie der bestimmungsgemäßen Verwendung gelten folgende Sicherheitsvorschriften:

- Unfallverhütungsvorschriften, Sicherheits- und Betriebsbestimmungen
- Bestimmungen zur Verhütung und zum Schutz vor Explosionen

- Sicherheitsbestimmungen im Umgang mit gefährlichen Stoffen
- Geltende Normen, Vorschriften und Gesetze

1.6 Sicherheitshinweise für den Betreiber/Bedienpersonal

- Bauseitigen Berührungsschutz für heiße, kalte und bewegende Teile anbringen und dessen Funktion prüfen.
- Den Berührungsschutz während des Pumpenbetriebs nicht entfernen.
- Gefährdung durch elektrische Energie ausschließen (Einzelheiten hierzu siehe landesspezifische Vorschriften und/oder örtliche Energieversorgungsunternehmen).
- Sollte durch ein Ausschalten der Pumpe das Gefährdungspotential nicht erhöht werden, ist eine Not-Befehlseinrichtung (Not-Halt) in der unmittelbaren Umgebung der Pumpe / des Pumpenaggregats im Zuge der Montagearbeiten des Pumpensatzes vorzusehen.

1.7 Sicherheitshinweise für Wartungs-, Inspektions- und Montagearbeiten

- Umbauarbeiten oder Veränderungen der Anlage sind nur nach Zustimmung des Herstellers zulässig.
- Ausschließlich Originalteile oder vom Hersteller genehmigte Teile verwenden.
- Die Verwendung anderer Teile kann die Haftung für die daraus entstehenden Folgen aufheben.
- Die Montage, Inbetriebnahme, Wartung und Stillsetzung der Sicherheitstrennstation darf nur durch ausreichend qualifiziertes und befugtes Fachpersonal ausgeführt werden.
- Der Betreiber hat dafür Sorge zu tragen, dass die Sicherheitstrennstation nur von hierzu befugtem und ausreichend qualifiziertem Fachpersonal gewartet und montiert wird.
- Arbeiten an der Anlage nur im Stillstand ausführen.
- Das Pumpengehäuse muss Umgebungstemperatur angenommen haben.
- Das Pumpengehäuse muss drucklos und entleert sein.
- Die in der Anleitung beschriebene Vorgehensweise zur Außerbetriebnahme der Anlage unbedingt einhalten.
- Sicherheits- und Schutzeinrichtungen unmittelbar nach Abschluss der Arbeiten wieder anbringen bzw. in Funktion setzen. Vor Wiederinbetriebnahme die aufgeführten Punkte für die Inbetriebnahme beachten.
- Unbefugte Personen (z. B. Kinder) von der Anlage fernhalten.

- Mindestens 10 Minuten vor dem Öffnen der Sicherheitstrennstation bzw. dem Entfernen der Versorgungsspannung warten

1.8 Unzulässige Betriebsweisen

Die in der Einbauanleitung angegebenen Grenzwerte müssen grundsätzlich eingehalten werden. Die Betriebssicherheit der gelieferten Anlage ist nur bei bestimmungsgemäßer Verwendung gewährleistet.

2 Allgemeine Informationen

2.1 Allgemeine Grundlagen

Die Einbauanleitung ist Teil der im Deckblatt genannten Baureihen und Ausführungen. Die Einbauanleitung beschreibt den sachgemäßen und sicheren Einsatz in allen Betriebsphasen.

Die Einbauanleitung beschreibt den sachgemäßen und sicheren Einsatz in allen Betriebsarten.

Das Typenschild nennt die Baureihe und -größe, die wichtigsten Betriebsdaten und die Auftragsnummer. Die Werknummer/Seriennummer beschreibt die Anlage eindeutig und dient zur Identifizierung bei allen weiteren Geschäftsvorgängen.

2.2 Einbau der unvollständigen Maschine

Zum Einbau unvollständiger Maschinen beachten Sie bitte das entsprechende Kapitel zur Wartung.

2.3 Zielgruppe

Diese Einbauanleitung ist an eingewiesenes Fachpersonal als Zielgruppe gerichtet.

2.4 Mitgelieferte Dokumente

Dokumente	Inhalt
Lieferantendokumentation	Einbauanleitungen und weitere Dokumentation zum Zubehör und integrierten Maschinenteilen

2.5 Sicherheitshinweise in dieser Anleitung



GEFAHR!

Mit diesem Zeichen gekennzeichnete Stellen weisen darauf hin, dass Tod, schwere Körperverletzung oder erheblicher Sachschaden eintreten wird, wenn die entsprechenden Vorsichtsmaßnahmen nicht beachtet werden!

**WARNUNG!**

Mit diesem Zeichen gekennzeichnete Stellen weisen darauf hin, dass Tod, schwere Körperverletzung oder erheblicher Sachschaden eintreten kann, wenn die entsprechenden Vorsichtsmaßnahmen nicht beachtet werden!

**VORSICHT!**

Mit diesem Zeichen gekennzeichnete Stellen weisen darauf hin, dass leichte Körperverletzung oder leichter Sachschaden eintreten kann, wenn die entsprechenden Vorsichtsmaßnahmen nicht beachtet werden!

**GEFAHR!**

Allgemeiner Gefahrenbereich
In Verbindung mit einem Signal, zeigt dieses Symbol eine Lebens- oder Verletzungsgefahr an.

**ELEKTRISCHE SPANNUNG!**

Gefährliche elektrische Spannung
In Verbindung mit einem Signal, zeigt dieses Symbol eine Verletzungsgefahr aufgrund elektrischer Spannung an und verweist auf Informationen zum Schutz vor elektrischer Spannung.

**VORSICHT!**

Maschine defekt
In Verbindung mit dem VORSICHT Signal, zeigt dieses Symbol eine Gefahr an, die von der Maschine und ihren Funktionen ausgeht.

3 Transport und Lagerung

3.1 Lieferzustand kontrollieren

1. Bei Warenübergabe jede Verpackungseinheit auf Beschädigungen prüfen.
2. Bei Transportschäden den genauen Schaden feststellen, dokumentieren und umgehend schriftlich an Resideo melden.

3.2 Transport

**GEFAHR!**

Umkippen der Sicherheitstrennstation
Quetschgefahr durch Sicherheitstrennstation

- ▶ Sicherstellen, dass die Anlage nicht in elektrischen Leitungen verwickelt werden kann!
- ▶ Die örtlich geltenden Sicherheitsvorschriften beachten!
- ▶ Gewicht, Gleichgewichtspunkt und Hängepunkt beachten!
- ▶ Nur geeignete und zugelassene Transportmittel wie Kran, Gabelstapler oder Hubwagen benutzen.

- ▶ Beim Transport mit Kran, die Sicherheitstrennstation, wie in der Abbildung dargestellt, befestigen und transportieren; ansonsten die Palette mithilfe eines Gabelstaplers oder Hubwagens transportieren.



Abb. 7 Befestigen des Hebezeugs und Transport

Transportmittel gemäß Gewichtsangabe auswählen.

1. Verpackungsmaterial und Kappen von Anschlussöffnungen entfernen
2. Auf Transportschäden prüfen.
3. Sicherheitstrennstation zum Aufstellort transportieren
4. Sicherheitstrennstation mit geeignetem Hebezeug von der Palette heben
5. Sicherheitstrennstation wie abgebildet verzurren.
6. Sicherheitstrennstation mit geeignetem Hebezeug von der Palette heben und die Palette entsorgen
7. Sicherheitstrennstation vorsichtig am Aufstellort absetzen.

3.3 Lagerung/Erhalt

**VORSICHT!**

Beschädigung durch Frost, Feuchtigkeit, Schmutz, UV-Strahlung oder Schädlinge bei der Lagerung
Korrosion / Verschmutzung der Sicherheitstrennstation!
Sicherheitstrennstation frostsicher und nicht unter freiem Himmel lagern.

**VORSICHT!**

Feuchte, verschmutzte oder beschädigte Öffnungen und Verbindungsstellen
Leckage oder Beschädigung der Sicherheitstrennstation!

- ▶ Verschlussene Öffnungen der Sicherheitstrennstation erst während der Montage freilegen.

3.4 Rücksendung

1. Netzstecker aus der Steckdose ziehen
2. Sicherheitstrennstation spülen and säubern.
Besonders auf gesundheitsschädliche, explosive, heiße oder risikoreiche Flüssigkeiten achten.

3. Beim Transport geförderter Flüssigkeiten, deren Reststoffe in Verbindung mit Luftfeuchtigkeit zu Korrosionsschäden führen oder sich unter Einwirkung von Sauerstoff entzünden, muss die Sicherheitstrennstation zusätzlich neutralisiert und mit wasserfreiem Gas ausgeblasen und getrocknet werden.
4. Der Sicherheitstrennstation muss stets eine vollständige Unbedenklichkeitsbescheinigung beiliegen. Die Angabe jeglicher angewandter Sicherheits- und Dekontaminierungsmaßnahmen ist zwingend erforderlich.

3.5 Entsorgung



WARNING!

Gesundheitsgefährdende und/oder heiße Fördermedien

Gefährdung für Personen und Umwelt!

- ▶ Bohrlüssigkeit auffangen und entsorgen
 - ▶ Falls erforderlich, Schutzkleidung und Schutzmaske tragen.
 - ▶ Gesetzliche Bestimmungen bezüglich der Entsorgung von gesundheitsgefährdenden Medien beachten.
1. Sicherheitstrennstation entfernen.
Fett und Schmiermittel während der Demontage auffangen
 2. Pumpenwerkstoffe trennen z. B. nach:
 - Metall
 - Kunststoff
 - Elektronikschrott
 - Fette und Schmierflüssigkeiten
 3. Nach örtlichen Vorschriften entsorgen bzw. einer geregelten Entsorgung zuführen.

Mit dem nebenstehenden Symbol gekennzeichnete elektrische oder elektronische Geräte dürfen nicht mit dem Haushaltsmüll am Ende ihrer Standzeit entsorgt werden. Die örtliche Entsorgungsfirma zur Rücknahme kontaktieren. Falls das elektrische oder elektronische Altgerät persönliche Informationen enthält, liegt die Löschung dieser Daten vor der Rücknahme in der Verantwortung des Anwenders.

4 Bezeichnung

4.1 Allgemeine Beschreibung

Vollautomatische, anschlussfertige Sicherheitstrennstation bestehend aus einem Einzelpumpenaggregat und eines Puffertanks zur hygienischen Trennung von Trinkwasser und zum Schutz vor Nichttrinkwasser der Flüssigkeitskategorie 5 nach DIN EN 1717.

Ausführung ohne Drehzahlregelung

Eine vollautomatische Steuerung schaltet das Pumpenaggregat druckabhängig ein und strömungsabhängig aus. Wird der voreingestellte Solldruck

unterschritten, schaltet das Pumpenaggregat ein und erzeugt einen konstanten Druck. Mit abnehmendem Verbrauch und Unterschreiten des Mindestförderstroms schaltet das Pumpenaggregat aus.

Der Anschluss für den Trockenlaufschutz ist als digitaler Eingang ausgeführt. Sollte die Verbindung geöffnet sein, wird die Sicherheitstrennstation durch die Steuerung nach ca. 10 Sekunden ausgeschaltet (Werkseinstellung).

Ausführung mit Drehzahlregelung

Eine vollautomatische Steuerung schaltet das Pumpenaggregat druckabhängig ein und druckabhängig aus. Wird der voreingestellte Solldruck unterschritten, schaltet das Pumpenaggregat ein und erzeugt einen konstanten Druck.

Mit abnehmendem Verbrauch und Unterschreiten des Solldrucks schaltet das Pumpenaggregat aus. Der Anschluss für den Trockenlaufschutz ist als digitaler Eingang ausgeführt. Sollte die Verbindung geöffnet sein, wird die Sicherheitstrennstation durch die Steuerung nach ca. 10 Sekunden ausgeschaltet (Werkseinstellung).

4.2 Technische Daten

Medien	
Medium:	Brauchwasser Kühlwasser Flüssigkeiten, die das Material weder chemisch noch mechanisch angreifen. max. +30 °C
Durchflussrate:	
CBU142 (Ein/Aus)	bis zu 8 m ³ /h, 2,22 l/s
CBU142FU	
Max. Förderhöhe:	
CBU142 (ON/OFF)	76 m
CBU142FU	70 m
Anschlüsse/Größen	
Anschlussgrößen:	G 1 1/4" - R 1 1/4"
Druckwerte	
Max. Betriebsdruck:	
CBU142 (ON/OFF)	8 bar
CBU142FU	6,5 bar
Spezifikationen	
Stellglied:	1-Phasen-Wechselstrommotor
Anschluss-Spannung:	230 V, 50 Hz
Schutzart:	
CBU142 (ON/OFF)	IP 55
CBU142FU	
Wärmeklasse:	F
Leistung:	1,5 kW (P _N)

Stromaufnahme:	9,0 A
Leergewicht:	81 kg
Tankvolumen:	100 Liter
Automation:	
CBU142 (ON/OFF)	Schaltgerät Druckabhängiges Einschalten und strömungsabhängiges Ausschalten
CBU142FU	Einphasen-Frequenzumrichter, motormontiert Druckabhängiges Einschalten und druckabhängiges Ausschalten

4.3 Produktvarianten

Produktvarianten finden Sie unter homecomfort.resideo.com/europe

4.4 Typenschild

Typenschild CBU142 (Ein/Aus)		Typenschild CBU142FU	
1 Baureihe, Baugröße	5 Daten Code	2 Netzspannung, Stromaufnahme	6 Max. zulässige Durchflussmenge
3 max. Förderhöhe	7 Schutzart	4 Leistungsaufnahme	8 Product Code

Fertigungsnummerschlüssel

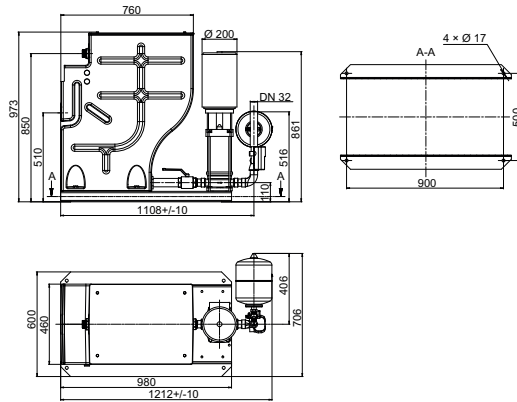
Beschreibung	Bedeutung
19	Produktionsjahr
03	Fertigungswoche

Hinweis: Zum Beispiel: 1903

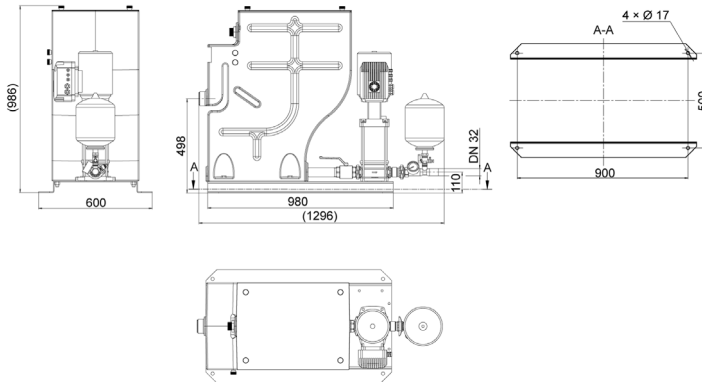
4.5 Abmessungen

Übersicht

CBU142 (ON/OFF)



CBU142FU



Hinweis: Alle Bemaßungen in mm, sofern nicht anders angegeben.

5 Einbauhinweise

5.1 Prüfungen vor dem Einrichten



WARNUNG!

Montage auf unebenen und nicht tragenden Aufstellort
Personen- und Sachschäden!

- ▶ Ausreichende Druckfestigkeit gemäß Klasse C12/15 des Betons in der Expositionsklasse X0 nach EN 206-1 beachten.
- ▶ Der Aufstellort muss waagrecht sein
- ▶ Gewicht beachten



ACHTUNG!

Eine ausreichende Körperschallisolierung gegenüber dem Baukörper ist infolge der Pufferlagerung der Sicherheitstrennstation gewährleistet.



ACHTUNG!

Sicherheitstrennstation nicht in der Nähe von Wohn- und Schlafräumen betreiben.

Vor der Aufstellung folgende Punkte prüfen:

- Die Gebäudebauweise überprüfen und eine Fläche entsprechend dem Abmessungsplan vorbereiten.
- Die Anlage ist laut Angaben auf dem Typenschild für das Stromnetz geeignet.
- Frostfreier Aufstellort
- Verschleißbarer Aufstellort
- Gut belüfteter Aufstellort
- Ein ausreichend bemessener Entwässerungsanschluss (Abwasseranschluss oder dgl.) ist erforderlich (EN 12056 beachten).
- Ggf. Kriechstromfestigkeit des Kompensators beachten.
- Kompensatoren müssen leicht austauschbar sein.

5.2 Montage der Sicherheitstrennstation



WARNUNG!

Das Oberteil der Sicherheitstrennstation ist sehr schwer.

Verletzungsgefahr durch Umkipppgefahr der Sicherheitstrennstation

- ▶ Anlage vor endgültiger Verankerung gegen Umfallen sichern.
- ▶ Anlage fest im Fundament verankern.



Um eine Übertragung von Rohrleitungskräften auf die Sicherheitstrennstation sowie Übertragung von Körperschall zu vermeiden, wird die Installation von Kompensatoren mit Längenbegrenzer empfohlen.

Verpackung entfernt

Auswahl eines geeigneten Ortes entsprechend den Spezifikationen

Es besteht genug Freiraum in allen Richtungen zur Durchführung von Instandhaltungsarbeiten.

1. Befestigungslöcher gemäß Maßblatt am Boden markieren.
2. Löcher (maximal Ø12 mm) bohren.
3. Geeignete Dübel in entsprechender Größe setzen.
4. Anlage in Einbauposition bringen.
5. Anlage mit passenden Schrauben fest im Fundament verankern.

5.3 Anschlussrohrleitung



VORSICHT!

Luftaschenbildung in Saugleitung
Sicherheitstrennstation kann das Fördermedium nicht ansaugen

- ▶ Die Rohrleitung stetig steigend verlegen

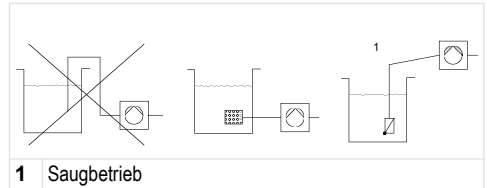


Abb. 8 Korrekte Anschluss der Rohrleitung

Der Einsatz von Rohrleitungskompensatoren mit Längenbegrenzer wird empfohlen.

1. Rohrleitungen spannungsfrei installieren.
2. Rohrleitung mit den Verteilungsleitungen auf der Vordruck- und Enddruckseite verbinden.

5.3.1 Montage des Rohrleitungskompensators



GEFAHR!

Funkenflug und Strahlungswärme
Brandgefahr!

- ▶ Kompensator bei Schweißarbeiten in der Nähe durch geeignete Maßnahmen schützen.



VORSICHT!

Undichter Kompensator

Überflutung des Aufstellraums.

- ▶ Regelmäßig auf Riss- oder Blasenbildung, freiliegendes Gewebe oder sonstige Mängel kontrollieren.

Die Sicherheitstrennstation ist mit einer Körperschalldämmung zum Abfangen der Schwingungen und Aufnahmen der Rückstoßkräfte ausgestattet.

1. Kompensator ohne Verspannung in die Rohrleitung montieren.

2. Bei der Montage Schrauben gleichmäßig über Kreuz anziehen.
3. Den Kompensator nicht mit Farbe anstreichen und unbedingt vor Öl schützen.
4. In der Sicherheitstrennstation muss der Kompensator jederzeit für eine Kontrolle zugänglich sein und darf deshalb nicht in die Rohrisolierung einbezogen werden.
5. Der Kompensator unterliegt einem Verschleiß.

5.4 Elektrischer Anschluss



ELEKTRISCHE SPANNUNG!

Arbeiten an der Sicherheitstrennstation durch unqualifiziertes Personal

Lebensgefahr durch Stromschlag!

- ▶ Arbeiten an der elektrischen Ausrüstung dürfen nur von Elektrofachkräften durchgeführt werden.
- ▶ Vorschriften IEC 60364 sind zu beachten.



ELEKTRISCHE SPANNUNG!

Fehlerhafter Netzanschluss

Beschädigung des Stromnetzes, Kurzschluss!

- ▶ Technische Anschlussbedingungen örtlicher Energieversorgungsunternehmen beachten.

Der Querschnitt der elektrischen Anschlussleitung ist nach dem Gesamtanschlusswert zu bestimmen.

6 Inbetriebnahme / Außerbetriebnahme

6.1 Inbetriebnahme

6.1.1 Voraussetzungen für die Inbetriebnahme



VORSICHT!

Trockenlauf der Pumpe

Beschädigung der Pumpe / Sicherheitstrennstation

- ▶ Wird der Trockenlaufschutz außer Funktion gesetzt, übernimmt der Betreiber die Verantwortung für einen möglichen Trockenlauf.

Vor Inbetriebnahme der Sicherheitstrennstation müssen folgende Punkte sichergestellt sein:

- Die Sicherheitstrennstation ist vorschriftsmäßig elektrisch mit allen Schutzeinrichtungen angeschlossen.
- Die einschlägigen VDE- bzw. länderspezifischen Vorschriften sind eingehalten und werden erfüllt.

6.1.2 Sicherheitstrennstation befüllen und entlüften



VORSICHT!

Rohrleitung nicht frei von Rückständen

Beschädigung der Pumpe / Sicherheitstrennstation

- ▶ Vor Inbetriebnahme (auch Probelauf) dafür sorgen, dass Rohrleitung und Sicherheitstrennstation frei von Rückständen sind.



Die Sicherheitstrennstation wurde vor der Auslieferung hydraulisch mit Wasser getestet und entleert. Das Auftreten von Restwasser ist hierbei unvermeidbar.

Kappen von Anschlussöffnungen kurz vor dem Einbau entfernen.

Vor Inbetriebnahme der Sicherheitstrennstation EN 806 beachten.

Standzeiten vor dem Einbau wird eine Spülung oder fachgerechte Desinfektion empfohlen.

Bei größeren oder weit verzweigten Rohrleitungssystemen kann die Spülung der Sicherheitstrennstation lokal begrenzt erfolgen.



Gleitringdichtungen können bei der Inbetriebnahme kurzzeitig eine Leckage aufweisen, die nach kurzer Laufzeit verschwindet.

- Rohrverschraubungen zwischen Pumpe und Rohrleitung sind nachgezogen.
 - Die Originalausgabe der Einbauanleitung ist verfügbar.
 - Flanschverbindungen sind auf festen Sitz geprüft.
 - Ein- und Austrittsöffnungen für die Kühlluft am Motor sind frei.
 - Alle Absperrarmaturen der Anlage sind geöffnet.
 - Vorpressdruck des Membrandruckbehälters ist geprüft.
1. Entlüftungsschrauben an der Pumpe, gemäß der Beschreibung in der Originalausgabe der Betriebsanleitung für den Pumpensatz, öffnen.
 2. Absperrarmatur auf der Eingangsseite langsam öffnen und die Anlage auffüllen, bis aus allen Entlüftungsbohrungen Fördermedium austritt.
 3. Entlüftungsschrauben schliessen, Pumpenentlüftungen leicht anziehen.
 4. Sicherheitstrennstation einschalten.
 5. Entlüftungsschrauben lösen und Restluft austreten lassen.
 6. Absperrventil öffnen.
 7. Entlüftungsschrauben lösen und Restluft austreten lassen.
 8. Entlüftungsschraube anziehen.
 9. Ruhigen Lauf der Pumpe prüfen.
 10. Das druckseitige Absperrventil schließen und prüfen ob die Pumpe den Nullpunkt erreicht.
 11. Absperrventil schließen
- Die Pumpe wird ausgeschaltet

6.1.3 Einschalten

Ausführung ohne Drehzahlregelung

Die Sicherheitstrennstation ist befüllt und entlüftet

1. Netzstecker in die Steckdose stecken.

Ausführung mit Drehzahlregelung

Die Sicherheitstrennstation ist befüllt und entlüftet

1. Netzstecker in die Steckdose stecken.
 - Bei aktiver Stromversorgung leuchtet die rote Standby-LED des Frequenzumrichters
 - Bei Betriebsbereitschaft der Anlage blinkt die grüne SET-LED des Frequenzumrichters
2. Start/Stop-Knopfs des Frequenzumrichters drücken
 - Pumpenaggregat startet, die Frequenz der blinkenden Betriebs-LED erhöht sich
 - Bei durchgehend leuchtender Betriebs-LED ist der Sollwert erreicht.

6.1.4 Checkliste zur Inbetriebnahme

Arbeits schritte	Verhalten	erledigt
1	Einbauanleitung lesen.	
2	Spannungsversorgung prüfen und mit Angaben auf dem Typenschild vergleichen.	
3	Erdungssystem prüfen (nachmessen).	
4	Mechanischen Anschluss an das Wasserversorgungssystem prüfen. Flansche bzw. Verschraubungen nachziehen.	
5	Sicherheitstrennstation von der Eingangsseite her auffüllen und entlüften.	
6	Nachspeisung prüfen.	
7	Im Schaltgerät prüfen, ob alle elektrischen Leitungen noch fest in den Klemmen stecken.	
8	Voreingestellten Wert prüfen und ggf. korrigieren.	
9	Trockenlaufschutz auf Funktion prüfen. Falls nicht verfügbar, in Inbetriebnahmeprotokoll vermerken.	
10	Zweites Entlüften der Pumpe, nachdem diese einige Minuten (5 - 10) gelaufen ist.	
11	Vorfülldruck prüfen	
12	Inbetriebnahmeprotokoll mit dem Betreiber ausfüllen und Betreiber in Funktion einweisen.	

6.2 Betriebsgrenzen



GEFAHR!

Überschreiten der Grenzen

Beschädigung des Pumpenaggregats!

- ▶ Die im Datenblatt angegebenen Betriebsdaten beachten.
- ▶ Betrieb gegen geschlossenes Absperrventil vermeiden.
- ▶ Den Pumpensatz niemals außerhalb der unten angegebenen Grenzen betreiben.



GEFAHR!

Explosionsgefahr!

Außerhalb der Betriebsgrenzen für das Fördermedium.

- ▶ Niemals verschiedene Flüssigkeiten, die chemisch miteinander reagieren können, pumpen.
- ▶ Niemals ein brennbares Medium bei einer Temperatur über der Zündtemperatur pumpen.



VORSICHT!

Zu hoher Temperaturunterschied zwischen Medium und Pumpe

Beschädigung der Maschine!

- ▶ Der Temperaturunterschied zwischen Medium und Pumpe darf nie 60 °C überschreiten.
- ▶ Sollte der Temperaturunterschied zwischen Pumpe und Medium höher als 30 °C sein, die Pumpe langsam befüllen/erwärmen, um einen Temperaturschock zu vermeiden.

Der Arbeitsbereich ist von der Anwendung und der Kombination von Druck und Temperatur abhängig.

6.2.1 Umgebungsbedingungen

Teile in der Originalverpackung aufbewahren und erst kurz vor Gebrauch auspacken.

Die folgenden Parameter gelten für Transport und Lagerung:

Parameter	Wert
Umgebung:	sauber, trocken und staubfrei
Min. Umgebungstemperatur:	0 °C
Max. Umgebungstemperatur:	
CBU142 (ON/OFF)	+40 °C
CBU142FU	+30 °C
Max. relative Luftfeuchtigkeit der Umgebung:	85 % *

6.2.2 Max. Betriebsdruck



VORSICHT!

Überschreitung des zulässigen Betriebsdrucks.
Beschädigung der Dichtungen und Verbindungen!

- ▶ Den im Datenblatt angegebenen zulässigen Betriebsdruck nicht überschreiten.

6.2.3 Fördermedium

- Brauchwasser
- Kühlwasser
- Flüssigkeiten, die das Material weder chemisch noch mechanisch angreifen.

6.3 Außerbetriebnahme

6.3.1 Ausschalten

Ausführung ohne Drehzahlregelung

1. Netzstecker ziehen

Ausführung mit Drehzahlregelung

1. Start/Stop-Knopfs des Frequenzumrichters drücken
 - Pumpenaggregat stoppt, die grüne Betriebs-LED erlischt
2. Netzstecker ziehen

6.3.2 Maßnahmen für die Außerbetriebnahme

Die Sicherheitstrennstation ist vom Stromnetz getrennt.

1. Kugelhahn schließen
2. Ggf. den Eingang mit dem Tank verbinden.
3. Ablassschraube 1 öffnen und den Tank entleeren.

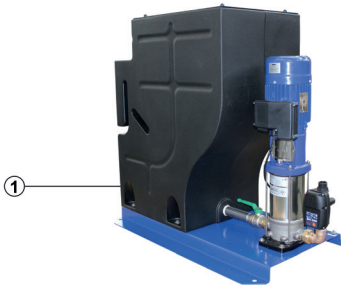


Abb. 9 Ablassschraube öffnen

Beispiel CBU142

- | | |
|---|----------------|
| 1 | Ablassschraube |
|---|----------------|

7 Betrieb



VORSICHT!

Unsachgemäße Bedienung
Beschädigung der Pumpanlage!

- ▶ Die Einhaltung sämtlicher örtlicher Vorschriften und besonders der Bestimmungen der Maschinenrichtlinie und der Niederspannungsrichtlinie ist zu gewährleisten.
- ▶ Elektrische Verdrahtung vor Inbetriebnahme prüfen.

7.1 Pumpensteuergerät Ausführung ohne Drehzahlregelung



Abb. 10 Pumpensteuergerät (Außenbereich)

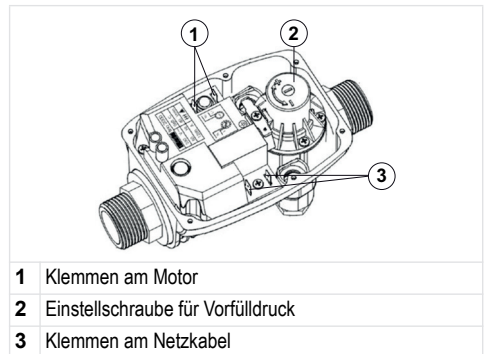
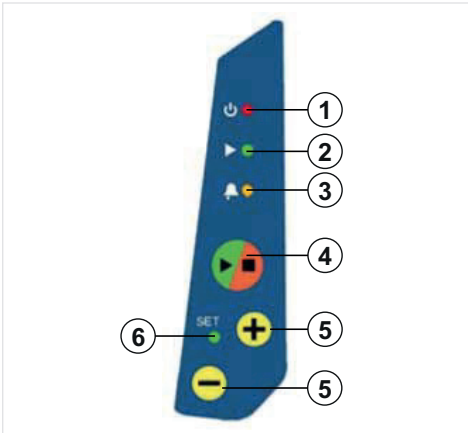


Abb. 11 Pumpensteuergerät (Innenbereich)

Ausführung mit Drehzahlregelung

- i** Für speziell geschultes Servicepersonal steht eine App zur Verbindung mit dem Laufwerk zur Verfügung. Diese App kann im Google Playstore oder iOS Appstore erworben werden.

Der Frequenzumrichter ist motormontiert und selbstkühlend. Er ist mit folgenden Anzeigen ausgestattet:



1	Rote Standby-LED Leuchtet, wenn der Antrieb mit Strom versorgt wird.
2	Grüne Betriebs-LED Blinkt mit unterschiedlicher Frequenz. Je näher der gemessene Druck am Sollwert liegt, desto höher ist die Frequenz.
3	Gelbe Alarm-LED
4	Start/Stop-Knopf Startet das Pumpenaggregat.
5	+/- Knopf zum Einstellen des Drucks. +/- Knopf im Handbetrieb zum Einstellen der Drehzahl des Motors.
6	Grüne SET-LED Blinkt wenn das Pumpenaggregat für Konstantdruck-Modus bereit ist.

Abb. 12 Anzeige

7.2 Funktionen

7.2.1 Ausführung ohne Drehzahlregelung

Einschaltdruck ändern

Der Einschalt-Druck ist innerhalb von 2 bis 3,5 bar einstellbar

1. Schrauben der Abdeckung mit einem geeigneten Werkzeug lösen und Abdeckung abnehmen.
2. Durch Drehen an der Einstellschraube den Einschalt-Druck auf den gewünschten Wert einstellen.
3. Die Abdeckung wieder aufsetzen und die Schraube handfest anziehen.

Störmeldungen zurücksetzen

Die rote Leuchte leuchtet bei Wassermangel oder Störung.
Die Fehlerursache wurde gefunden und behoben.

1. Den Reset-Taster ca. 3 Sekunden gedrückt halten.

7.2.2 Ausführung mit Drehzahlregelung



Der Antrieb ist werkseitig vorkonfiguriert.

Modell	V_{Ein}	$\text{max. } V_{\text{Aus}}$	$\text{max. } I_{\text{Ein}}$	$\text{max. } I_{\text{Aus}}$	Motorleistung P_2
	V AC	V	A	A	kW
MIDA 205	1~230 +/-15 %	3~230	8	5	1,1

Pumpenaggregat ist ordnungsgemäß eingeschaltet

1. Armatur in der Druckleitung leicht öffnen
2. Blinkt die Set-LED des Frequenzumrichters, den +/- Knopf drücken, bis die Set-LED durchgehend leuchtet
3. Zum Erhöhen des Einschalt-Drucks (+) drücken, zum Verringern des Einschalt-Drucks (-) drücken.
 - Die Einstellung wird nach 3 Sekunden automatisch übernommen

8 Instandhaltung

8.1 Allgemeine Informationen / Sicherheitsvorschriften



ELEKTRISCHE SPANNUNG!

Unbeabsichtigtes Einschalten der Sicherheitstrennstation

Lebensgefahr!

- ▶ Die Sicherheitstrennstation muss bei Reparatur- und Wartungsarbeiten spannungsfrei sein. (Netzstecker ziehen)
- ▶ Gegen Wiedereinschalten sichern.



WARNUNG!

Unsachgemäßes Heben/Bewegen schwerer Baugruppen oder Bauteile

Gefahr von Verletzungen oder Sachschäden!

- ▶ Beim Bewegen schwerer Baugruppen oder Bauteile geeignete Transportmittel, Hebezeuge, Anschlagmittel benutzen.



VORSICHT!

Arbeiten an der Sicherheitstrennstation durch unqualifiziertes Personal

Verletzungsgefahr!

- ▶ Reparatur- und Wartungsarbeiten sind nur durch speziell geschultes Personal durchzuführen!



VORSICHT!

Unsachgemäß gewartete Sicherheitstrennstation
Funktion der Sicherheitstrennstation nicht gewährleistet!

- ▶ Sicherheitstrennstation regelmäßig warten.
- ▶ Wartungsplan für Sicherheitstrennstation erstellen, der die Punkte Schmiermittel, Wellendichtung und Kupplung der Pumpen besonders beachtet.

Die Montage, Inbetriebnahme, Wartung und Stillsetzung der Sicherheitstrennstation darf nur durch ausreichend qualifiziertes und befugtes Fachpersonal ausgeführt werden.

- Die Sicherheitsvorschriften und Hinweise sind stets zu beachten.
- Bei Arbeiten an den Pumpen Anleitung Pumpe beachten.
- Bei Schadensfällen steht unser Service zur Verfügung.
- Durch Erstellen eines Wartungsplanes lassen sich mit einem Minimum an Wartungsaufwand teure Reparaturen vermeiden und ein störungsfreies und zuverlässiges Arbeiten der Sicherheitstrennstation erreichen.
- Jegliche Gewaltanwendung in Verbindung mit Demontage und Montage vermeiden.

- Im normalen Betrieb resultiert vom Sicherheitstrennstation keine biologische Gefahr.
- Gefährdungen können zu einer mikrobiologischen Kontamination führen.
- Den Puffertank bitte regelmäßig mit sauberem Trinkwasser reinigen!

8.2 Instandhaltung

8.2.1 Betriebsüberwachung



VORSICHT!

Erhöhter Verschleiss durch Trockenlauf

Beschädigung des Pumpenaggregats!

- ▶ Niemals das Pumpenaggregat in unbefülltem Zustand betreiben.
- ▶ Niemals während des Betriebs Absperrarmatur in der Saugleitung und/oder Versorgungsleitung schließen.



VORSICHT!

Überschreiten der zulässigen Temperatur des Fördermediums

Beschädigung der Pumpen!

- ▶ Längerer Betrieb mit geschlossenen Absperrventilen ist nicht zulässig (Überhitzung des Fördermediums).
- ▶ Temperaturangaben im Datenblatt und unter den technischen Daten beachten.

Während des Betriebes folgende Punkte einhalten bzw. überprüfen:

- Vorfülldruck des Membrandruckbehälters mit den empfohlenen Werten vergleichen.
- Laufgeräusche der Wälzlager überprüfen.
Vibration, Geräusche sowie erhöhte Stromaufnahme bei sonst gleichbleibenden Betriebsbedingungen deuten auf Verschleiss hin.
- Ggf. die Funktionen der zusätzlichen Verbindungen beachten.

8.2.2 Wartungsplan

Intervall	Maßnahme
Mindestens einmal pro Jahr	Laufruhe der Pumpe und des Antriebsmotors sowie die Dichtheit der Gleitringdichtungen kontrollieren.
	Absperr-, Entleerungs- und Rückschlagarmaturen auf Funktion und Dichtheit kontrollieren.
	Schmutzfänger im Druckminderer kontrollieren, sofern vorhanden.
	Kompensatoren (sofern vorhanden) auf Verschleiß kontrollieren.
	Vorfülldruck kontrollieren und ggf. Membrandruckbehälter auf Dichtheit prüfen.
	Schaltautomatik kontrollieren.
	Ein- und Ausschaltpunkte der Anlage kontrollieren.
	Wasserzulauf kontrollieren, Vordruck, Wassermangelüberwachung und Druckminderer prüfen. Überlauf auf Dichtheit und Sauberkeit prüfen.

8.2.3 Vorfülldruck einstellen



GEFAHR!

Falsches Gas im Ausdehnungsgefäß eingefüllt
Vergiftungsgefahr!

- ▶ Druckpolster nur mit Stickstoff auffüllen.



VORSICHT!

Vorpressdruck zu hoch
Beschädigung des Behälters!

- ▶ Angaben des Behälterherstellers beachten (siehe Typenschild oder Anleitung Behälter).

Der Vorpressdruck des Druckbehälters soll unter den eingestellten Einschaltdruck eingestellt werden.

Beispiel: Vorpressdruck 10 % unter dem Einschaltdruck

Vorfülldruck des Membrandruckbehälters: $p = 0,9 \times p_E$
 p_E = Einschaltdruck der Sicherheitstrennstation

Empfehlung

Diese Angaben gelten als Mittelwert. Versuche mit Behältern haben gezeigt, dass bei Drücken >3 bar bei Faktor 0,9 und bei Drücken <3 bar bei Faktor 0,8 die besten Speichervolumina erreicht werden.

Beispiel:

$p_E = 5$ bar: Vorfülldruck: $5 \times 0,9 = 4,5$ bar

$p_E = 2$ bar: Vorfülldruck: $2 \times 0,8 = 1,6$ bar

Vorfülldruck prüfen :

1. Absperrventile unter dem Membrandruckbehälter schließen.
2. Membrandruckbehälter über das Ablassventil entleeren.
3. Ventilschutzkappe vom Membrandruckbehälter abschrauben und aufbewahren
4. Den Vorfülldruck mithilfe eines geeigneten Prüfgeräts (z. B. Reifendruckmesser) prüfen.
5. Ventilschutzkappe am Membrandruckbehälter anschrauben.

Membrandruckbehälter befüllen

- Ventilschutzkappe vom Membrandruckbehälter abschrauben und aufbewahren
- Stickstoff über das Ventil nachfüllen.
- Ventilschutzkappe am Membrandruckbehälter anschrauben.

8.3 Schaltgerät austauschen

1. Netzstecker aus der Steckdose ziehen
2. Rohrleitung muss entleert werden
3. Kugelhahn schließen
4. Überwurfmutter des Schaltgeräts lösen
5. Schaltgerät austauschen
6. Rohrleitungen befüllen
7. Netzstecker in Steckdose stecken
8. Reset-Taster am Schaltgerät drücken

9 Fehlersuche



WARNUNG!

Unsachgemäße Fehlersuche

Verletzungsgefahr!

- Die jeweiligen Hinweise in dieser Einbauanleitung bzw. der Betriebsanleitung des Herstellers beachten.



Unser Kundendienst steht Ihnen zur Verfügung.

Zuwiderhandeln führt zum Verlust jeglicher Schadenersatzansprüche.

A	Sicherheitstrennstation schaltet ab
B	Druckschwankung auf Druckseite
C	Sicherheitstrennstation läuft nicht an.
D	Pumpe läuft, fördert aber kein Wasser.
E	Sicherheitstrennstation pumpt zu wenig
F	Druck auf Druckseite zu gering
G	Druck auf Druckseite zu hoch
H	Leckage der Gleitringdichtung
I	Überhitzung des Motors/der Pumpe.
J	Motorschutzschalter spricht an.
K	Sicherheitstrennstation schaltet sich nicht ab
L	Sicherheitstrennstation schaltet sich zu oft ein und aus
M	Überhitzung des Motors/der Pumpe.

A	B	C	D	E	F	G	H	I	J	K	L	M	Ursache	Abhilfe
x	-	x	-	-	-	-	-	-	-	-	-	-	Trockenlaufschutz ist nicht verbunden	Verbinden oder umgehen
x	-	x	-	-	-	-	-	-	-	-	-	-	Netzzuleitung unterbrochen	Prüfen bzw. Defekt beheben
x	-	x	-	-	-	-	-	-	-	-	-	-	Steuersicherung hat ausgelöst	Prüfen und ggf. austauschen
-	x	x	x	x	x	-	-	x	-	-	x	x	Absperrarmaturen nicht (oder nur teilweise) geöffnet	Prüfen und ggf. öffnen
-	-	-	x	x	-	-	-	x	-	x	-	x	Pumpe oder Rohrleitung ist nicht vollständig entlüftet oder aufgefüllt	Füllen oder Entgasen findet statt
-	-	-	-	-	x	-	-	x	x	-	-	x	Pumpe ist schwergängig	Pumpe muss durch Fachpersonal repariert werden
-	-	-	-	-	-	-	x	-	-	-	-	-	Gleitringdichtung ist defekt	Gleitringdichtung austauschen
-	-	x	-	-	-	-	-	x	-	-	-	x	Falscher Eingangsdruck in Druckbehälter	Eingangsdruck einstellen, Druckblase ersetzen
-	-	-	-	-	-	-	-	-	-	-	x	-	System ist undicht	System abdichten
-	-	-	x	-	-	-	-	-	x	x	-	x	Prüfen, ob Ventil in Sicherheitstrennstation defekt ist	Prüfen und ggf. austauschen
-	-	-	x	-	x	-	-	-	-	x	x	-	Vordruck ist geringer als in den Bestelldaten angegeben.	Vorbehälter anschließen (Rückfrage erforderlich).
-	x	-	-	-	x	-	-	-	x	x	-	-	Wasserentnahme ist größer als in den Bestelldaten angegeben.	Abfrage ist notwendig

10 Ersatzteile

Ersatzteile finden Sie unter homecomfort.resideo.com/europe

11 Unbedenklichkeitserklärung

Ausführung _____

Bestellnummer/Bestellpositionsnummer³⁾ _____

Lieferdatum _____

Einsatzbereich _____

Fördermedium³⁾ _____

Zutreffendes bitte ankreuzen³⁾:



ätzend



brandfördernd



brennbar



explosiv



gesundheitsgefährdend



gesundheitsschädlich



giftig



radioaktiv



umweltgefährlich

unbedenklich

Grund der Rücksendung³⁾ _____

Anhang: _____

Die Anlage/ das Zubehör ist vor Versand/ Bereitstellung sorgfältig entleert sowie außen und innen gereinigt worden.

- Besondere Sicherheitsvorkehrungen sind bei der weiteren Handhabung nicht erforderlich.
- Folgende Sicherheitsvorkehrungen hinsichtlich Spülmittel, Restflüssigkeiten und Entsorgung sind erforderlich:

Wir versichern, dass die vorstehenden Angaben korrekt und vollständig sind und der Versand gemäß den gesetzlichen Bestimmungen erfolgt.

City, Datum und Unterschrift

Adresse

Firmenstempel

12 Inbetriebnahmeprotokoll

Die nachstehend sogenannte Kompaktverstärkereinheit von Resideo wurde heute durch den unterzeichnenden, befugten Resideo Kundendienst in Betrieb genommen und dieses Protokoll wurde erstellt.

Sicherheitstrennstation

Baureihe _____

Größe _____

Seriennummer _____

Bestellnummer _____

Kunde/Betriebsort

Auftraggeber

Betriebsort

Name _____

Adresse _____

Betriebsdaten; weitere Daten siehe Schaltplan

Einschaltdruck p_E bar _____

Vorfülldruck-Einstellwert für $p_{vorher - x}$ _____

Vorfülldruckschalter überwachen _____

Ausschaltdruck p_A bar _____

Vorpressdruck p_{vorher} bar _____

Vorpressdruckbehälter p_{vorher} bar _____

Der Betreiber bzw. dessen Kunde bescheinigt hiermit, in Betrieb und Wartung der Sicherheitstrennstation eingewiesen worden zu sein. Die Schaltpläne und Anweisungen wurden ebenfalls ausgeliefert.

Bei Inbetriebnahme festgestellte Mängel

Termin für Behebung

Mangel 1

Name Resideo-Beauftragter

Name Auftraggeber bzw. Beauftragter

Stadt

Datum

1 Sikkerhedsanvisning

1. Vær opmærksom på monteringsvejledningen.
2. Benyt apparatet
 - som tilsigtet
 - i perfekt tilstand
 - og med opmærksomhed på sikkerhed og farer.
3. Bemærk at apparatet udelukkende er beregnet for det i monteringsvejledningen nævnte anvendelsesområde (se 4.2 Tekniske data). Andre, eller yderligere benyttelse anses som ikketilsigtet.
4. Bemærk at alle monterings-, idriftssættelses-, vedligeholdelses- og justeringsarbejder skal udføres af autoriseret personale.
5. Driftsforstyrrelser der kan påvirke sikkerheden skal straks afhjælpes.

1.1 Generelle bemærkninger

- Driftsmanualen indeholder grundlæggende instrukser i montering, drift og vedligeholdelse. De sikrer sikker håndtering for at undgå personskader eller materiel skade
- Overhold alle sikkerhedsinstrukser.
- Før montering og opstart skal både operatøren og det ansvarlige tekniske personale/driftspersonale have læst manualen, der til enhver tid skal opbevares sammen med trykforøgeranlægget.
- Denne driftsmanual skal altid være tilgængelig i virksomheden.
- Instrukser og mærkninger, der er direkte knyttet til produktet, skal overholdes og holdes fuldstændigt læselige. Dette gælder f.eks.:
 - Pil til strømningsretningen
 - Tilslutningsmærker
 - Identifikationsplade

1.2 Anvendelsesformål

Trykforøgeranlægget må kun være i drift i de områder, der er beskrevet i de øvrige relevante dokumenter.

- Tag kun det kompakte trykforøgeranlæg i drift, hvis det er i perfekt stand.
- Tag ikke det kompakte trykforøgeranlæg i drift, hvis det kun er delvist monteret.
- Det kompakte trykforøgeranlæg må kun bruges til at pumpe mediet som beskrevet i dokumentationen til den respektive version.
- Tag aldrig det kompakte trykforøgeranlæg i drift uden pumpemedie.
- Overhold værdierne for minimale pumpeydeler (for at undgå skader pga. overophedning, opbevaringsbeskadigelse, ...).

- Overhold værdierne for maksimale pumpeydeler (for at undgå skader pga. overophedning, skader på glideringsforseglingen, kavitationsskader, opbevaringsskader, ...).
- Foretag ikke drosling af indløb til det kompakte trykforøgeranlæg (for at undgå kavitationsskader).
- Andre driftsformer, der ikke er nævnt i dokumentationen, skal koordineres med producenten.

1.3 Personalets kvalifikationer og uddannelse

- Lad kun specielt kvalificeret personale udføre reparations- og vedligeholdelsesarbejde.
- Ansvarsområde og tilsyn med personalet skal præcist styres af operatøren under transport, montering, drift, vedligeholdelse og inspektion.
- Dette kompakte trykforøgeranlæg må kun monteres, startes, vedligeholdes og lukkes ned af personer, der er uddannet, instrueret og autoriseret til det.
- I nogle tilfælde kan uddannelse arrangeres af producenten, hvis operatøren beder om det.
- Uddannelse eller personale til at betjene systemet skal være under tilsyn af specialiserede teknikere.

1.4 Konsekvenser og farer, der opstår, hvis du ikke følger manualen

- Hvis du ikke følger denne manual, vil det føre til tab af garantien og gøre erstatningskrav ugyldige.
- Manglende overholdelse af manualen kan f.eks. føre til følgende farer:
 - Fare for personer forårsaget af elektriske, termiske, mekaniske og kemiske påvirkninger
 - Tab af vigtige produktfunktioner
 - Manglende udførelse af nødvendige vedligeholdelses- og serviceforanstaltninger
 - Miljøfare forårsaget af lækage af farlige stoffer

1.5 Sikkerhedsbevidst arbejde

Ud over sikkerhedsinstrukserne i denne manual og dennes tilsigtede anvendelse, gælder følgende sikkerhedsforskrifter:

- Forebyggelsesbestemmelser for ulykker, sikkerheds- og driftsforskrifter
- Eksplosionsforebyggelses- og beskyttelsesbestemmelser
- Sikkerhedsforskrifter for håndtering af farlige stoffer
- Gældende standarder, regler og love

1.6 Sikkerhedsinstrukser for operatør/ betjeningspersonale

- Sørg for beskyttelse på stedet mod berøring af varme, kolde og bevægelige dele og kontrollér, at de fungerer korrekt.
- Fjern ikke berøringsbeskyttelsen under pumpens drift.
- Eliminér farer forårsaget af elektrisk energi (for nærmere detaljer henvises til ladespecifikke regler og/eller elforsyningselskaber).
- Hvis der ikke er nogen risiko for, at farepotentialet øges ved at slukke pumpen, skal du sørge for en nødstop-kommandoenhed i umiddelbar nærhed af pumpen/pumpeanlægget, når pumpesættet monteres.

1.7 Sikkerhedsinstrukser i vedligeholdelse, inspektioner og montering

- Ændringer i eller modificering af systemet er kun tilladt med producentens samtykke.
- Brug kun originale dele eller dele, der er godkendt af producenten.
- Brug af dele, der ikke er godkendte, kan medføre tab af erstatningsansvar for eventuelle skader, de må forårsage.
- Det kompakte trykforøgeranlæg er monteret, taget i brug, vedligeholdt og lukket ned udelukkende af tilstrækkeligt kvalificeret og autoriseret personale.
- Operatøren skal sikre, at det kompakte trykforøgeranlæg bliver vedligeholdt og monteret af tilstrækkeligt kvalificeret og autoriseret personale.
- Udfør kun service på systemet, når maskinen er slukket.
- Pumpehuset skal have omgivelsestemperatur.
- Pumpehuset skal være trykløst og tomt.
- De procedurer, der er beskrevet i manualen til nedlukning af systemet, skal overholdes under alle omstændigheder.
- Geninstaller sikkerhedsudstyr og beskyttelsesanordninger og aktivér dem igen umiddelbart efter, at arbejdet på systemet er afsluttet. Før genopstart skal du følge opstarts-checklisten.
- Hold uautoriserede personer (f.eks. børn) væk fra systemet.
- Vent mindst 10 minutter, før det kompakte trykforøgeranlæg åbnes, eller før strømspændingen fjernes

1.8 Uautoriserede driftstyper

De grænser, der er angivet i dokumentationen, skal altid overholdes. Der er kun garanti for, at det leverede system fungerer pålideligt, når det bruges som tilsigtet.

2 Generelle oplysninger

2.1 Grundlæggende principper

Manualen er en del af serien og versionerne som nævnt på titelbladet. Manualen beskriver den sikre og korrekte brug i alle driftstilstande.

Manualen beskriver den sikre og korrekte brug i alle driftstilstande.

Typemærket angiver serien og størrelsen, de vigtigste driftsdata og ordrenummeret. Fabrikationsnummeret/serienummeret identificerer systemet unikt og tjener dette formål i alle yderligere forretningstransaktioner.

2.2 Montering af ufuldstændig maskine

Ved montering af ufuldstændige maskiner, henvises til det respektive kapitel Vedligeholdelse.

2.3 Målgruppe

Målgruppen for betjeningsvejledningen er teknisk uddannet personale.

2.4 Andre relevante dokumenter

Dokumenter	Indhold
Leverandørdokumentation	Driftsmanualer og yderligere dokumentation for hjælpeudstyr og integrerede maskindele

2.5 Sikkerhedsinstrukser i denne manual



FARE!

Steder med dette tegn tilkendegiver, at død, alvorlig personskade eller væsentlig materiel skade vil opstå, hvis de nødvendige forholdsregler ikke følges!



ADVARSEL!

Steder med dette tegn tilkendegiver, at død, alvorlig personskade eller væsentlig materiel skade kan opstå, hvis de nødvendige forholdsregler ikke følges!



FORSIGTIG!

Steder med dette tegn tilkendegiver, at mindre personskade eller mindre materiel skade kan opstå, hvis de nødvendige forholdsregler ikke følges!



FARE!

Generel farezone
I kombination med et signal angiver dette symbol fare for død eller personskade.

**FARLIG SPÆNDING**

Farlig spænding

I kombination med et signal angiver dette symbol fare for personskade fra elektrisk spænding og oplysninger om beskyttelse mod elektrisk spænding.

**FORSIGTIG!**

Maskinfejl

I kombination med signalet FORSIGTIG angiver dette symbol fare for maskinen og dets funktioner.

3 Transport og opbevaring**3.1 Kontrollér produktets stand ved levering**

1. Kontrollér ved levering indholdet i alle pakker for skader.
2. I tilfælde af transportskade skal du anslå omfanget, dokumentere skaden og skriftligt underrette Resideo omgående.

3.2 Transport**FARE!**

Hvis det kompakte trykforøgeranlæg vælter
Fare for at blive mast af det kompakte trykforøgeranlæg!

- ▶ Anlægget må aldrig blive filtret ind i elektriske ledninger.
- ▶ Følg de lokale sikkerhedsforskrifter.
- ▶ Tag vægt, balancepunkt og suspensionspunkt i betragtning
- ▶ Brug kun passende og autoriserede transportmidler, som kran, gaffeltruck eller manuel løftevogn.
- ▶ Ved brug af kran skal du fastgøre og transportere sikkerhedsseparations-stationen som illustreret, ellers skal du flytte pallen med en gaffeltruck eller palletruck.



Fig. 13 Fastgørelse af løfteudstyr og transport

Valg af den passende transportenhed til vægtklassen.

1. Fjern emballage og hætter i tilslutningsåbningerne
2. Kontrollér for skader under transport.
3. Transportér det kompakte trykforøgeranlæg til monteringsstedet
4. Løft det kompakte trykforøgeranlæg fra pallen med passende løfteudstyr
5. Hejs det kompakte trykforøgeranlæg som vist.
6. Løft det kompakte trykforøgeranlæg fra pallen med passende løfteudstyr og bortskaf pallen
7. Sæt det kompakte trykforøgeranlæg forsigtigt ned på monteringsstedet.

3.3 Opbevaring/sikring**FORSIGTIG!**

Skader under opbevaring forårsaget af frost, fugt, snavs, UV-stråler eller skadedyr

Korrosion/tilsmudsning af det kompakte trykforøgeranlæg!

Beskyt det kompakte trykforøgeranlæg mod frost, opbevar det ikke udendørs.

**FORSIGTIG!**

Fugtige, snavsede eller beskadigede åbninger og forbindelsesstykker

Lækage i eller skader på det kompakte trykforøgeranlæg!

- ▶ Afdæk kun under monteringen åbninger i det kompakte trykforøgeranlæg.

3.4 Returforsendelse

1. Tag stikket ud af stikdåsen
2. Skyl og rengør det kompakte trykforøgeranlæg, specielt for skadelige, eksplosive, varme eller andre højrisikovæsker.
3. Hvis der er blevet transporteret pumpede væsker, hvis fugtige rester fører til korrosionsskader eller antændelse ved kontakt med ilt, skal det kompakte trykforøgeranlæg desuden neutraliseres og blæses igennem med vandfri gas for at tørre.
4. Det kompakte trykforøgeranlæg skal altid følges af en fuldt udfyldt erklæring om ikke-indsigelse. Det er absolut nødvendigt, at du angiver alle anvendte sikkerhedsforanstaltninger og dekontamineringsforanstaltninger.

3.5 Bortskaffelse**ADVARSEL!**

Farligt eller varmt pumpemedie

Farligt for mennesker og miljø!

- ▶ Indsaml og bortskaf borevæske
- ▶ Bær om nødvendigt beskyttelsestøj og -maske.

- Overhold lovgivningen om bortskaffelse af farlige medier.
- 1. Fjern det kompakte trykforøgeranlæg. Saml fedt og smøremidler under demonteringen
- 2. Sortér pumpematerialerne f.eks. ud fra:
 - Metal
 - Syntetisk materiale
 - Elektronisk skrot
 - Fedt og smøremidler
- 3. Bortskaf i henhold til lokale bestemmelser eller få dem bortskaffet i henhold til reglerne.

Elektriske apparater eller elektronisk udstyr mærket med hosstående symbol må ikke bortskaffes med husholdningsaffald i slutningen af levetiden.

For at returnere, skal du kontakte den lokale genbrugspartner.

Hvis det elektriske apparat eller elektroniske udstyr indeholder personlige data, er brugeren selv ansvarlig for at slette disse, inden udstyret returneres.

4 Beskrivelse

4.1 Generel beskrivelse

Fuldautomatisk, tilslutningsklart kompakt trykforøgeranlæg, bestående af en lodret centrifugalpumpe og en buffertank med indbygget frit luftgab, udført i sikringsklasse AB, som sikrer korrekt hygiejnisk adskillelse af drikkevand og et potentielt bakteriologisk forurenede medie iht. mediumkategori 5-DS/EN 1717.

Version uden hastighedskontrol:

Et fuldt automatisk styresystem tænder og slukker pumpeenheten afhængigt af tryk og slukker den afhængigt af flowet. Hvis trykket falder under det indstillede tryk, tænder pumpeenheten og genererer et konstant tryk, pumpeenheten tænder og genererer et konstant tryk. Når forbruget aftager, og flowet falder under minimums-flow-hastigheden, slukker pumpeenheten. Forbindelsen til beskyttelse mod tødrift er designet som et digitalt input. Hvis forbindelsen er åben, slukker styreenheden det kompakte trykforøgeranlæg efter ca. 10 sekunder (fabriksindstilling).

Version med hastighedskontrol:

Et fuldt automatisk styresystem tænder og slukker pumpeenheten afhængigt af trykket. Hvis trykket falder under det indstillede tryk, tænder pumpeenheten og genererer et konstant tryk. Når forbruget aftager, og trykket falder under det indstillede tryk, slukker pumpeenheten. Forbindelsen til beskyttelse mod tødrift er designet som et digitalt input. Hvis forbindelsen er åben, slukker styreenheden det kompakte trykforøgeranlæg efter ca. 10 sekunder (fabriksindstilling).

Anlægget tilbydes i følgende størrelser: DN32.





4.2 Tekniske data

Medier	
Medie:	Industrivand Kølevand Væsker, der ikke angriber materialerne kemisk og mekanisk. maks. +30 °C
Strømningshastighed:	
CBU142 (ON/OFF)	op til 8 m ³ /h, 2,22 l/s
CBU142FU	
Maks. løftehøjde:	
CBU142 (ON/OFF)	76 m
CBU142FU	70 m
Tilslutninger/størrelser	
Tilslutningsstørrelse:	G 1 1/4" - R 1 1/4"
Trykværdier	
Maks. driftstryk:	
CBU142 (ON/OFF)	8 bar
CBU142FU	6,5 bar
Specifikationer	
Aktuator:	1-faset vekselstrømsmotor (AC)
Forsyningsspænding:	230 V, 50 Hz
Beskyttelsesklasse:	
CBU142 (ON/OFF)	IP55
CBU142FU	
Termisk klasse:	F
Strøm:	1,5 kW (P _N)
Aktuelt forbrug:	9,0 A
Tomvægt:	81 kg
Tankens volumen:	100 liter
Automatisering:	
CBU142 (ON/OFF)	Afbryderenhed, Trykfafhængig tænding og flowafhængig slukning
CBU142FU	Enkeltfaset frekvensomformer, motormonteret, Trykfafhængig tænding og slukning

4.3 Valgmuligheder

Besøg homecomfort.resideo.com/europe for yderligere information.

4.4 Identifikationsplade

Identifikationsplade CBU142 (ON/OFF)		Identifikationsplade CBU142FU	
①	Braukmann CBU142-32A-065 Dato 1903	①	Braukmann CBU142FU-32B-065N Dato 1903
②	230 V / 50 Hz 1 ~ 9.0 A	②	230 V / 50 Hz 1 ~ 9.0 A
③	H _{max} : 76.0 m Q _{max} : 8.0 m ³ /h	③	H _{max} : 70.0 m Q _{max} : 8.0 m ³ /h
④	1.5 kW IP 55	④	1.5 kW IP 55
	  Made in Germany 29134997		  Made in Germany 29135157

1	Serie, størrelse	5	Datakode
2	Netspænding, aktuelt forbrug	6	Maks. tilladt strømningshastighed
3	maks. løftehøjde	7	Beskyttelsesklasse
4	Strømforbrug	8	Produktkode

Nøgle til produktionsnummer

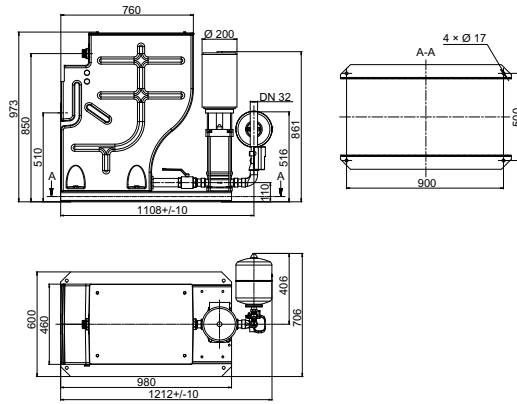
Vare	Formål
19	Produktionsår
03	Produktionsuge

Bemærk: For eksempel: 1903

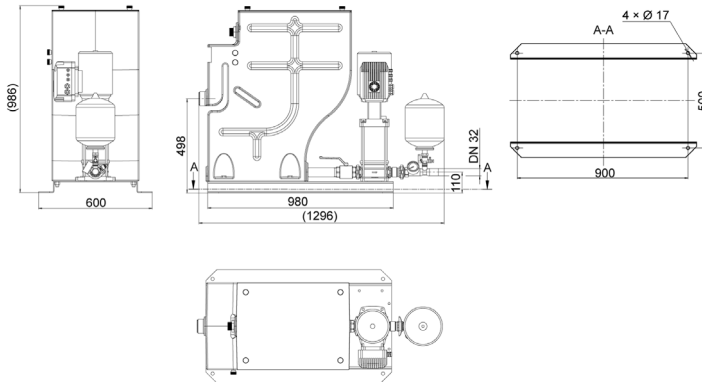
4.5 Dimensioner

Oversigt

CBU142 (ON/OFF)



CBU142FU



Bemærk: Alle mål er i mm, medmindre andet er angivet.

5 Installationsvejledning

5.1 Test før opsætning



ADVARSEL!

Montering på ikke-niveau og ikke-strukturelle monteringssteder
Personskade og materiel skade!

- ▶ Sørg for tilstrækkelig trykstyrke i henhold til klasse C12/15 for cement i eksponeringsklasse X0 i henhold til EN 206-1.
- ▶ Monteringsstedet skal være horisontalt
- ▶ Overhold vægten



BEMÆRK

Tilstrækkelig lydisolering til bygningen sikres pga. det kompakte trykforøgeranlægs sikkerhedsdepot.



BEMÆRK

Brug ikke det kompakte trykforøgeranlæg nær stuer og soveværelser.

Kontrollér følgende før montering:

- Inspicér bygningens arkitektur og gør det klar i henhold til dimensionsarket.
- I henhold til specifikationerne på typemærket er systemet velegnet til elforsyningsnettet.
- Frostfrit monteringssted
- Aflåseligt monteringssted
- Godt ventileret monteringssted
- En tilstrækkeligt dimensioneret drænforbindelse (tømmestuds eller lignende) er påkrævet (overhold EN 12056).
- Hvis det er muligt, skal du observere kompensatorens krybefasthed.
- Kompensatorer skal let kunne udskiftes.

5.2 Montering kompakt trykforøgeranlæg



ADVARSEL!

Det kompakte trykforøgeranlæg er tungt foroven.
Fare for personskade, hvis det kompakte trykforøgeranlæg vælter

- ▶ Sørg for at sikre systemet, så det ikke kan vælte, før det er permanent forankret.
- ▶ Forankr systemet sikkert til underlaget.



For at undgå overførsel af vibration og resonans til det kompakte trykforøgeranlæg, anbefales det at installere kompensatorer med et forankringsjern.

Emballage er fjernet

Passende placering vælges i henhold til specifikationer
Der er tilstrækkelig plads i alle retninger til servicearbejde.

1. Markér monteringshullerne på gulvet som beskrevet i databladet.
2. Bor huller (maksimum Ø12 mm).
3. Indsæt passende, velegnede dyvler.
4. Placér systemet til montering.
5. Forankr systemet sikkert til underlaget med passende bolte.

5.3 Forbindelse af rørledning



FORSIGTIG!

Luftdannelse i sugeledningen

Det kompakte trykforøgeranlæg kan ikke forberede det pumpede medie til drift!

- ▶ Monter rørledningen i opadgående retning

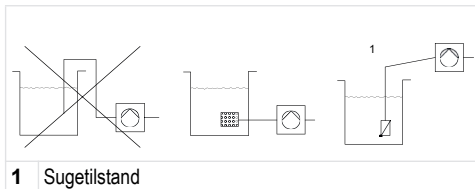


Fig. 14 Korrigér rørledningens forbindelse

Brugen af kompensatorer med forankringsjern anbefales.

1. Monter altid rørledninger, så de er spændingsfrie.
2. Rørledning med udløbstrykledninger med forsyningsledninger på retur- og udløbssiden.

5.3.1 Montering af rørledningskompensator



FARE!

Gnister og strålevarme

Brandfare!

- ▶ Tag passende foranstaltninger for at beskytte kompensatoren under svejsearbejde i nærheden.



FORSIGTIG!

Lækkende kompensator

Oversvømmelse af monteringsrummet.

- ▶ Kontrollér regelmæssigt for flænger og blærer, utildækket materiale eller andre defekter.

Kompensatoren er forsynet med en strukturlydisolering for at standse længdebegrænsningen for at absorbere alle reaktionskræfter.

1. Installér kompensatoren i den spændingsfri rørledning.
2. Spænd boltene i samme grad på tværs.
3. Mal ikke kompensatoren og beskyt den altid mod olie.
4. Kompensatoren skal til enhver tid være tilgængelig på det kompakte trykforøgeranlæg til inspektionsformål, og af denne grund bør den ikke medtages i rørisolationen.
5. Kompensatoren er udsat for slitage.

5.4 Elektrisk tilslutning



FARLIG SPÆNDING

Ikke-kvalificerede personer, der arbejder på det kompakte trykforøgeranlæg

Livsfare ved elektrisk stød!

- ▶ Arbejde på elektriske installationer må kun udføres af specialuddannede elektrikere.
- ▶ Overhold IEC 60364 forskrifterne.



FARLIG SPÆNDING

Fejltilslutning el-net

Skader på el-nettet, kortslutning!

- ▶ Overhold kravene for tekniske installationer iht. de lokale elselskabers betingelser.

Den elektriske forsyningslednings diameter skal bestemmes i henhold til den samlede forbindelsesværdi.

6 Ibrugtagning/nedlukning

6.1 Ibrugtagning

6.1.1 Krav til opstart



FORSIGTIG!

Pumpe i tørdrift

Skader på pumpen/det kompakte trykforøgeranlæg

- ▶ Hvis beskyttelsen mod tørdrift deaktiveres, tager operatøren ansvaret i tilfælde af tørdrift.

Inden opstart af det kompakte trykforøgeranlæg skal følgende punkter sikres:

- Det kompakte trykforøgeranlæg er elektrisk forbundet med alle beskyttelsesenheder i henhold til forskrifterne.
- De relevante VDE og landespecifikke forskrifter skal overholdes og udføres.

6.1.2 Fyld op og ventilér det kompakte trykforøgeranlæg



FORSIGTIG!

Rørledningen er ikke fri for rester

Skader på pumpen/det kompakte trykforøgeranlæg

- ▶ Inden opstart (og test) skal du sørge for, at rørledninger og det kompakte trykforøgeranlæg er fri for fremmedlegemer og urenheder.



Det kompakte trykforøgeranlæg er hydraulisk testet med vand og derefter tømt før levering. Restvand er teknisk uundgåeligt.

Fjern hætteerne på forbindelsesåbningerne kort før monteringen

Inden opstart af det kompakte trykforøgeranlæg skal EN 806 læses.

Efter lang brugstid anbefales en skylling eller professionel desinfektion.

Til større eller vidt forgrenede rørledningssystemer kan spulingen af sikkerhedsisoleringsstationen begrænses.



Glideringsforseglinger kan kort vise tegn på at lække under opstarten, men ikke efter en kort driftsperiode.

- Rørfittings mellem Pumpe og rørledning skal strammes.
 - Pumpens oprindelige driftsmanual er tilgængelig.
 - Flangeforbindelser skal kontrolleres, hvis de spændes tæt.
 - Ind- og udgangsåbninger til luftkøling af motoren er fri.
 - Alle afspærringsventiler i systemet er åbne.
 - Membrantrykbeholderens forladningstryk kontrolleres.
1. Åbn udluftningsskruerne på pumpen i henhold til pumpeanlæggets oprindelige driftsvejledning.
 2. Åbn afspærringsventilerne langsomt på indgangssiden og fyld systemet, indtil pumpemediet løber ud af alle udluftningsskruer.
 3. Luk udluftningsskruerne, stram pumpens ventilation let.
 4. Tænd det kompakte trykforøgeranlæg.
 5. Løsn udluftningsskruerne og lad den resterende luft slippe ud.
 6. Åbn afspærringsventilen.
 7. Løsn udluftningsskruerne og lad den resterende luft slippe ud.
 8. Stram udluftningsskruerne.
 9. Kontrollér, om pumpen løber glat.
 10. Luk trykside-afspærringsventilen og kontrollér, om pumpen når nulpunktet.
 11. Luk afspærringsventilen
Pumpen slukker

6.1.3 Tænd

Version uden hastighedskontrol:

Det kompakte trykforøgeranlæg er fyldt og ventileret

1. Isæt tilslutningsstikket i den elektriske stikdåse.

Version med hastighedskontrol:

Det kompakte trykforøgeranlæg er fyldt og ventileret

1. Isæt tilslutningsstikket i den elektriske stikdåse.
 - Når strømforsyningen er aktiv, lyser frekvensomformerens røde standby-LED.
 - Når anlægget er klar til drift, blinker frekvensomformerens grønne SET LED
2. Tryk på frekvensomformerens start-/stop-knap
 - Pumpeenheten starter, frekvensen af den blinkende drifts-LED øges
 - Når drifts-LED'en er tændt permanent, er det indstillede punkt nået

6.1.4 Opstartscheckliste

Arbejdsstrin	Handling	fuldført
1	Læs driftsmanualen.	
2	Kontrollér spændingsforsyningen og sammenlign med værdierne på typemærket.	
3	Kontrollér jordforbindelsen (ved måling).	
4	Kontrollér den mekaniske forbindelse til vandforsyningssystemet. Stram flangerne og skruerne.	
5	Fyld og ventilér det kompakte trykforøgeranlæg fra indgangssiden.	
6	Kontrollér genpåfyldningen.	
7	Kontrollér afbryderen for at se, om alle elektriske ledninger stadig er korrekt stukket ind i klemmerne.	
8	Kontrollér den forudindstillede værdi, korriger om nødvendigt.	
9	Kontrollér, om beskyttelsen mod tørdrift fungerer. Hvis ikke tilgængelig, notér i opstartsprotokollen.	
10	Ventilér pumpen endnu en gang, efter at den har kørt i nogle minutter (5-10).	
11	Kontrollér forladringsstrykket	
12	Udfyld opstartsprotokollen sammen med operatøren og vis operatøren, hvordan maskinen fungerer.	

6.2 Grænser for driftsinterval



FARE!

Overskridelse af grænser

Skader på pumpeenheden!

- ▶ Overhold de driftsdata, der er specificeret i dataarket.
- ▶ Undgå drift mod lukket afspæringsventil.
- ▶ Køb aldrig pumpesættet uden for de grænser, der er specificeret nedenfor.



FARE!

Fare for eksplosion!

Overskridelse af grænsen for anvendelse vedr. det pumpede medie.

- ▶ Pump aldrig forskellige væsker, der kan indgå kemisk forbindelse med hinanden.
- ▶ Pump aldrig et brændbart medie med middeltemperatur over antændelsestemperaturen.



FORSIGTIG!

Alt for stor temperaturforskel mellem medie og pumpe

Skader på maskinen!

- ▶ Temperaturforskellen mellem medie og pumpe må aldrig overstige 60 ° C.
- ▶ I de tilfælde, hvor temperaturforskellen mellem pumpen og mediet er højere end 30 ° C, skal pumpen langsomt fyldes/opvarmes for at undgå risiko for temperaturchok.

Driftsområdet afhænger af applikationen og en kombination af tryk og temperatur.

6.2.1 Miljøbetingelser

Opbevar delene i deres originale emballage og pak dem først ud kort før brug.

Følgende parametre gælder ved transport og opbevaring:

Parameter	Værdi
Omgivelser:	rent, tørt og støvfrit
Min. omgivelsestemperatur:	0 °C
Maks. omgivelsestemperatur:	
CBU142 (ON/OFF)	+40 °C
CBU142FU	+30 °C
Maks. relativ luftfugtighed i omgivelserne	85 % *

*ikke-kondenserende

6.2.2 Maks. driftstryk



FORSIGTIG!

Overskridelse af det tilladte driftstryk.

Skader på pakninger og forbindelser!

- ▶ Overskrid ikke det driftstryk, der er angivet i dataarket.

6.2.3 Pumpet medie

- Industrivand [teknisk vand]
- Kølevand
- Væsker, der ikke angriber materialerne kemisk og mekanisk.

6.3 Nedlukning

6.3.1 Sluk

Version uden hastighedskontrol:

1. Træk det elektriske tilslutningsstik ud

Version med hastighedskontrol:

1. Tryk på frekvensomformerens start-/stop-knap
 - Pumpeenheten stopper, den grønne drifts-LED forsvinder
2. Træk det elektriske tilslutningsstik ud

6.3.2 Procedurer for nedlukning

Det kompakte trykforøger anlæg er frakoblet strømforsyningen.

1. Luk kugleventilen
2. Forbind indløbet til tanken, hvis det er muligt.
3. Åbn drænprop 1 og tøm tanken.

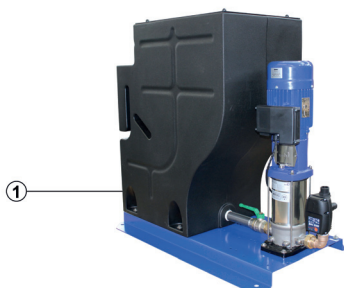


Fig. 15 Åbn drænprop

Eksempel CBU142

- | | |
|---|----------|
| 1 | Drænprop |
|---|----------|

7 Drift



FORSIGTIG!

Ukorrekt drift

Skader på pumpesystemet!

- ▶ Sørg for, at alle lokale krav er imødekommet, især maskindirektivet og lavspændingsdirektivet.
- ▶ Kontrollér den elektriske ledningsføring før opstart.

7.1 Pumpestyringsenhed

Version uden hastighedskontrol:



Fig. 16 Pumpestyringsenhed (udvendig)

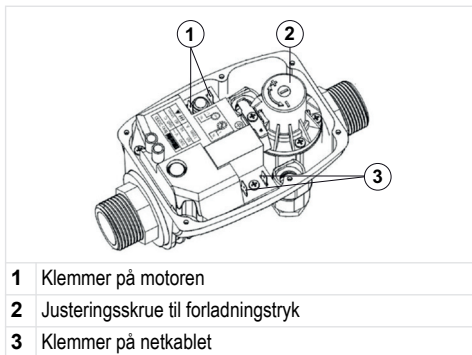


Fig. 17 Pumpestyringsenhed (indvendig)

Version med hastighedskontrol:

- i** Der fås en app til særligt uddannet servicepersonale til forbindelse til frekvensomformereren. Denne app kan købes i Google Playstore eller iOS Appstore.

Frekvensomformereren er motormonteret og selvafkølende. Den er udstyret med følgende lamper:

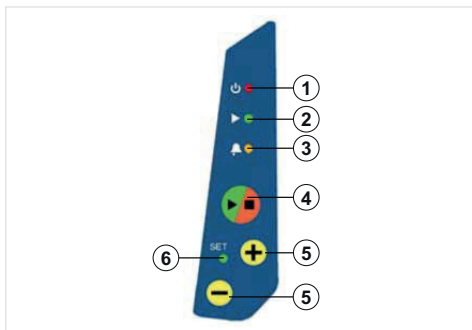


Fig. 18 Display

- | | |
|---|--|
| 1 | Rød standby-LED lyser op, når frekvensomformerens forsynes med strøm. |
| 2 | Grøn drifts-LED blinker afhængigt af frekvensen. Jo tættere det målte tryk er på det indstillede tryk, desto højere er frekvensen. |
| 3 | Gul alarm LED |
| 4 | Start-/stop-knap starter pumpeenheden. |
| 5 | +/- knap til at justere trykket +/- knap i manuel modus til at justere motorens hastighed. |
| 6 | Grøn SET LED blinker, når pumpeenheden er klar til konstant tryk-modus. |

7.2 Funktioner og særpræg

7.2.1 Version uden hastighedskontrol

Ændring af opstartstrykket

Opstartstrykket kan justeres inden for et område på 2 til 3,5 bar

- Løsn dækslets skruer med et passende værktøj og fjern dækslet.
- Drej justeringsskruen og indstil opstartstrykket til den ønskede værdi.
- Sæt dækslet på igen og stram skruen fingerstramt.

Nulstil fejlmeddelelser

Det røde lys tændes i tilfælde af vandmangel eller fejlfunktion.

Årsagen til fejlen er konstateret og elimineret.

- Tryk på reset-knappen i ca. 3 sekunder.

7.2.2 Version med hastighedskontrol



Drevet er prækonfigureret på fabrikken.

Model	V_{On}	maks. V_{Off}	maks. I_{On}	maks. I_{Off}	Motorstrøm P_2
	V AC	V	A	A	kW
MIDA 205	1~230 +/-15 %	3~230	8	5	1,1

Pumpeenheden er tændt korrekt

- Åbn ventilen i trykledningen let
- Hvis frekvensomformerens SET LED blinker, trykker du på +/- knappen, indtil SET LED lyser permanent
- Tryk på (+) for at øge starttrykket; tryk på (-) for at sænke starttrykket
 - Indstillingen accepteres automatisk efter 3 sekunder

8 Vedligeholdelse

8.1 Generelle oplysninger/ sikkerhedsforskrifter



FARLIG SPÆNDING

Utløst tænding af det kompakte trykforøgeranlæg

Livsfare!

- ▶ Det kompakte trykforøgeranlæg skal være spændingsfrit ved alle reparationer og vedligeholdelsesarbejde. (Træk det elektriske tilslutningsstik ud)
- ▶ Sikring mod genstart.



ADVARSEL!

Uhensigtsmæssig løft/flytning af tunge moduler eller komponenter

Fare for personskade eller materiel skade!

- ▶ Ved flytning af tunge moduler eller komponenter skal der anvendes passende transportanordninger, løfteanordninger og løftetilbehør.



FORSIGTIG!

Ikke-kvalificerede personer, der arbejder på det kompakte trykforøgeranlæg

Fare for personskade!

- ▶ Lad kun specielt kvalificeret personale udføre reparations- og vedligeholdelsesarbejde.



FORSIGTIG!

Ukorrekt vedligeholdt kompakt trykforøgeranlæg
Det kompakte trykforøgeranlægs korrekte funktion kan ikke længere sikres!

- ▶ Vedligehold det kompakte trykforøgeranlæg regelmæssigt.
- ▶ Opret en vedligeholdelsesplan for det kompakte trykforøgeranlæg, der fokuserer specielt på smøring af pumpen, akseltætning og kobling.

Det kompakte trykforøgeranlæg er monteret, taget i brug, vedligeholdt og lukket ned udelukkende af tilstrækkeligt kvalificeret og autoriseret personale.

- Følg altid sikkerhedsforskrifterne og instrukserne.
- Følg instrukserne i at arbejde med pumperne.
- I tilfælde af skader, kontakt venligst vores serviceafdeling.
- Ved at oprette en vedligeholdelsesplan holdes den påkrævede vedligeholdelse for at undgå dyre reparationer og opnå fejlfri og pålidelig drift af det kompakte trykforøgeranlæg.
- Undgå brug af kraft i forbindelse med demontering og montering.
- Under normal drift er der ingen biologisk fare som følge af det kompakte trykforøgeranlæg.

- Faremomenter kan medføre mikrobiologisk forurening.
- Rengør buffertanken regelmæssigt med rent drikkevand!

8.2 Vedligeholdelse

8.2.1 Driftsovervågning



FORSIGTIG!

Tørdrift forårsager øget slitage

Skader på pumpeenheden!

- ▶ Tag aldrig pumpeanlægget i drift, når det er tomt.
- ▶ Luk aldrig afspæringsventilen i sugelædningen og/eller forsyningsledningen under drift.



FORSIGTIG!

Den tilladte temperatur for det pumpede medie overskrides

Skader på pumperne!

- ▶ Drift er ikke tilladt med lukkede afspæringsventiler i længere tidsperioder (overophedning af pumpemediet).
- ▶ Overhold temperaturværdierne som angivet på dataarket og under tekniske data.

Under driften skal du overholde og kontrollere følgende punkter:

- Sammenlign membrantrykbeholderens forladningstryk med de anbefalede værdier.
- Kontrollér rullelejernes løbestøj.
Vibrationer, støj og stigning i effektforbrug under ensartede driftsbetingelser er tegn på slitage.
- Følg de yderligere tilslutningsfunktioner, hvis det er muligt.

8.2.2 Vedligeholdelsesplan

Interval	Mål
Min. én gang årligt	<p>Pumpen og drivmotoren bør løbe glat, glideringsforseglingerne bør ikke lække</p> <p>Kontrollér, om afspærrings-, afløbs- og kontraventilerne fungerer korrekt og ikke lækker.</p> <p>Filter i trykreduktionsventilen, hvis det er relevant</p> <p>Kontrollér kompensatorerne for slid (hvis det er relevant).</p> <p>Kontrollér forladningstrykket og om nødvendigt, om membrantrykbeholderen lækker.</p> <p>Kontrollér automatisk kontakt.</p> <p>Kontrollér systemets tænd-/slukpunkter.</p> <p>Kontrollér vandforsyning, forladningstryk, overvågning af vandmangel og trykreduktionsventil.</p> <p>Kontrollér, om overløbet er forseglet og rent.</p>

8.2.3 Indstil forladningstrykket



FARE!

Påfyldning af forkert gas i ekspansionsbeholderen

Fare for forgiftning!

- ▶ Fyld kun kvælstof i trykpudden.



FORSIGTIG!

Forladningstrykket er for højt

Fare for skader på tanken!

- ▶ Overhold de værdier, der er angivet af producenten af tanken (se typemærke eller tankmanualen).

Forladningstrykket for trykbeholderen bør indstilles til en værdi, der er lavere end det programmerede opstartstryk.

Eksempel: Forladningstryk 10% lavere end opstartstrykket

Membrantrykbeholderens forladningstryk $p = 0,9 \times p_E$

p_E = det kompakte trykforøgeranlægs opstartstryk

Anbefaling

Dette er gennemsnitsværdier. Eksperimenter udført på tanke har vist, at det bedste lagervolumen blev opnået ved tryk >3bar med en faktor på 0,9 og tryk på <3bar med en faktor på 0,8.

Eksempel:

$p_E = 5$ bar: forladningstryk $5 \times 0,9 = 4,5$ bar

$p_E = 2$ bar: forladningstryk $2 \times 0,8 = 1,6$ bar

Kontrollér forladningstrykket :

1. Luk afspærringsventilerne under membrantrykbeholderen.
2. Tøm membrantrykbeholderen via afløbsventilen.
3. Skru beskyttelseshætten af ventilen på membrantrykbeholderen og opbevar den
4. Brug et egnet kontrolværktøj (f.eks. dæktryksmåler) for at kontrollere forladningstrykket.
5. Montér beskyttelseshætten på ventilen på membrantrykbeholderen.

Fyld membrantrykbeholderen

- Skru beskyttelseshætten af ventilen på membrantrykbeholderen og opbevar den
- Efterfyld kvælstof via ventilen.
- Montér beskyttelseshætten på ventilen på membrantrykbeholderen.

8.3 Udskift afbryderen

1. Tag stikket ud af stikdåsen
2. Rørsystemet skal drænes
3. Luk kugleventilen
4. Løsn omløbermøtrikken på afbryderen
5. Udskift afbryderen
6. Fyld rørledningerne op
7. Sæt stikket i stikdåsen
8. tryk på resetknappen på afbryderen

9 Fejlfinding



ADVARSEL!

Ukorrekt arbejde til fejlfinding

Fare for personskade!

- Følg de relevante instrukser i denne driftsmanual og/eller fabrikkationsdokumentationen



Manglende overholdelse vil medføre tab af erstatningskrav.

A	Kompakt trykforøgeranlæg slukker
B	Tryksvingninger på tryksiden
C	Det kompakte trykforøgeranlæg starter ikke.
D	Pumpen kører, men pumper ikke vand.
E	Det kompakte trykforøgeranlæg pumper for lidt
F	Trykket på tryksiden er for lavt
G	Trykket på tryksiden er for højt
H	Utæthed i den mekaniske forsegling
I	Overophedning af motoren/pumpen.
J	Motorbeskyttelseskontakten er aktiveret.
K	Det kompakte trykforøgeranlæg slukker ikke
L	Det kompakte trykforøgeranlæg tænder og slukker for tit
M	Overophedning af motoren/pumpen.

A	B	C	D	E	F	G	H	I	J	K	L	M	Årsag	Afhjælpning
x	-	x	-	-	-	-	-	-	-	-	-	-	Beskyttelse mod tørdrift er ikke tilsluttet	Tilslut eller afled
x	-	x	-	-	-	-	-	-	-	-	-	-	Hovedforsyningen er afbrudt	Kontrollér eller eliminér fejlen
x	-	x	-	-	-	-	-	-	-	-	-	-	Styresikringen er udløst	Kontrollér og udskift om nødvendigt
-	x	x	x	x	x	-	-	x	-	-	x	x	Afspærringsventilerne er kun delvist eller slet ikke åbnet	Kontrollér og åbn dem om nødvendigt
-	-	-	x	x	-	-	-	x	-	x	-	x	Pumpe eller rørledning er ikke helt ventileret eller fyldt op	Ventilering eller opfyldning
-	-	-	-	-	x	-	-	x	x	-	-	x	Pumpen er træg	Pumpen skal repareres af en fagmand
-	-	-	-	-	-	-	x	-	-	-	-	-	Mekanisk forsegling er defekt	Udskift den mekaniske forsegling
-	-	x	-	-	-	-	-	x	-	-	-	x	Indløbstrykket i trykbeholderen er ikke korrekt	Indstil indløbstrykket, udskift trykbeholder
-	-	-	-	-	-	-	-	-	-	-	x	-	Systemet lækker	Forsegl systemet
-	-	-	x	-	-	-	-	-	x	x	-	x	kontraventilen i det kompakte trykforøgeranlæg er defekt	Kontrollér og udskift om nødvendigt
-	-	-	x	-	x	-	-	-	-	x	x	-	Formen er lavere end angivet i ordredataene	Tilslut tanken
-	x	-	-	-	x	-	-	-	x	x	-	-	Vandtømningen er større end angivet i ordredataene.	Forespørgsel er påkrævet

10 Reserve dele

Besøg homecomfort.resideo.com/europe for tilbehør.

11 Erklæring om ikke-indsigelse

Type

Ordrenummer/Ordre varenummer³⁾ _____

Leveringsdato _____

Anvendelsesområde _____

Pumpet medie³⁾ _____

Sæt et flueben, hvis det er relevant³⁾:



ætsende



oxiderende



let antændelig



eksplosiv



sundhedsfarlig



sundhedsskadelig



giftig



radioaktiv



farlig for miljøet

uskadelig

Årsager til returneringen³⁾ _____

Noter: _____

Systemet/tilbehøret skal tømmes omhyggeligt og rengøres udvendigt og indvendigt.

- Der kræves ingen yderligere sikkerhedsforanstaltninger til videre håndtering.
- Følgende sikkerhedsforanstaltninger ang. skyllemiddel, resterende væsker og bortskaffelse af disse er påkrævet:

Vi garanterer, at ovenstående oplysninger er korrekte og fuldstændige, og at levering sker i overensstemmelse med lovkraft.

By, dato og underskrift

Adresse

Firmastempel

12 Opstartsprotokol

Følgende såkaldte Resideo kompakte trykforøgeranlæg blev dags dato overdraget af underskriverne, autoriseret Resideo kundeservicepersonale, og denne protokol blev skrevet

Kompakt trykforøgeranlæg

Serie _____

Størrelse: _____

Serienummer _____

Ordrenummer _____

Kundens lokalitet/driftssted

Kunde

Driftssted

Navn _____

Adresse _____

Driftsdata henviser til kredsløbsdiagram for yderligere data

Opstartstryk

pE bar _____

Overvågning af forladningstrykket

pFør - X _____

Indstillingsværdi for

forladningstrykkets kontakt _____

Slukningstryk

pA bar _____

Forladningstryk

pFør bar _____

Forladningstryk tank

pFør bar _____

Driftsselskabet eller deres kunde erklærer herved at være fuldt uddannet i drift og vedligeholdelse af det kompakte trykforøgeranlæg. Kredsløbsdiagrammerne og instrukserne blev også leveret.

Defekter konstateret under opstart

Fejl 1

Planlagt eliminering

Navnet på Resideo-kunden

Navnet på leverandøren og entreprenøren

By

Dato

1 Sikkerhetsregler

1. Følg monteringsinstruksene.
2. Bruk utstyret
 - i henhold til tiltenkt bruk
 - i god stand
 - ta hensyn til sikkerheten og farerisikoene.
3. Merk at ventilen utelukkende er beregnet på bruk som beskrevet i disse monteringsveiledningene (se 4.2 Tekniske data). All annen bruk ansees som ikke tiltenkt bruk og vil oppheve garantien.
4. All montasje, ferdigstilling, vedlikehold og driftsinnstillinger skal utføres av kompetent og autorisert personell.
5. Få utbedret feil som setter sikkerheten i fare, med en gang.

1.1 Generelle kommentarer

- Driftshåndboken inneholder grunnleggende instruksjoner om montering, drift og vedlikehold. Dette sikrer trygg håndtering og hindrer personskader eller materielle skader
- Følg alle sikkerhetsanvisningene.
- Operatøren så vel som av den ansvarlige teknikeren / betjeningspersonalet må lese håndboken før montering og oppstart, og den må alltid oppbevares på stedet der den kompakte trykkforsterkeren er montert.
- Driftshåndboken skal alltid være tilgjengelig på anlegget.
- Instruksjoner og merker som er festet direkte på produktet, skal følges og alltid være helt leselige. Dette gjelder for eksempel for:
 - Pil for strømningsretning
 - Tilkoblingsmarkeringer
 - Typeskilt

1.2 Tiltent bruk

Den kompakte trykkforsterkeren skal kun brukes i slike områder som beskrevet i den relevante dokumentasjonen.

- Den kompakte trykkforsterkeren skal kun brukes når den er i en god og forsvarlig driftstilstand.
- Den kompakte trykkforsterkeren skal ikke brukes hvis den er bare delvis montert.
- Den kompakte trykkforsterkeren skal bare brukes til å pumpe mediet som beskrevet i dokumentasjonen til den respektive versjon.
- Den kompakte trykkforsterkeren skal ikke brukes uten pumpemedium.
- Ta hensyn til verdiene for minste strømningshastighet (for å unngå skader på grunn av overoppheting, lagringsskader, ...).

- Ta hensyn til verdiene for maksimal strømningshastighet (for å unngå skader på grunn av overoppheting, skade på den mekaniske tetningen, kavitasjonsskader, lagringsskader, ...).
- Ikke strupe inngangen til den kompakte trykkforsterkeren (for å unngå kavitasjonsskade).
- Andre driftsmoduser, hvis de ikke er nevnt i dokumentasjonen, må rådføres med produsenten.

1.3 Kvalifisering og opplæring av personell

- La kun spesielt kvalifisert personell utføre reparasjoner og vedlikeholdsarbeid.
- Personellets ansvars- og tilsynsområder skal reguleres nøye av driftsansvarlig under transport, installasjon, drift, vedlikehold og inspeksjon.
- Dette kompakte trykksystemet skal kun monteres, startes, vedlikeholdes, og stenges av personer som har fått opplæring i dette og er instruerte og autoriserte til å gjøre det.
- I enkelte tilfeller kan opplæring arrangeres av produsenten, hvis forespørsel om dette kommer fra operatøren.
- Trening eller opplæring av personale til å betjene systemet, kan kun foretas under oppsyn fra spesialiserte teknikere.

1.4 Konsekvenser og farer som resulterer av manglende overholdelse av håndboken

- Hvis denne håndboken ikke følges, vil dette føre til tap av garantien og gjøre krav om skadeerstatning ugyldig.
- Manglende iaktakelse av håndboken kan for eksempel føre til følgende farer:
 - Fare for personer som er forårsaket av elektriske, termiske, mekaniske og kjemiske påvirkninger
 - Tap av viktige produktfunksjoner
 - Hvis nødvendige tiltak for vedlikehold og service ikke følges
 - Fare for miljøet forårsaket av lekkasje av farlige stoffer

1.5 Sikkerhetsbevisst arbeid

I tillegg til sikkerhetsinstruksjonene som er oppført i denne håndboken, og deres tiltenkte bruk er følgende sikkerhetsforskrifter gjeldende:

- Forskrifter om forebygging av ulykker samt sikkerhets- og driftsforskrifter
- Forskrifter om eksplosjonsforebygging og -sikring
- Sikkerhetsforskrifter for håndtering av farlige stoffer
- Gjeldende standarder, forskrifter og lover

1.6 Sikkerhetsregler for operatør / betjeningspersonale

- Sørg for lokal sikring mot kontakt med varme, kalde og bevegelige deler, og kontroller at dette fungerer som det skal.
- Ikke fjern kontaktvernet når pumpen er i drift.
- Unngå farer forårsaket av elektrisk energi (for nærmere opplysninger, se landet spesifikke forskrifter og/eller de lokale elektrisitetsverkens forskrifter).
- Hvis det ikke finnes risiko for at farepotensialet økes ved å slå av pumpen, må du installere en nødstopppknapp i umiddelbar nærheten av pumpen/pumpeenheten når du installerer pumpesettet.

1.7 Sikkerhetsinstruksjoner for vedlikehold, inspeksjon og montering

- Endringer eller ombygging på systemet er kun tillatt med samtykke fra produsenten.
- Bruk bare originale reservedeler eller reservedeler som er godkjent av produsenten.
- For skader som måtte oppstå ved bruk av reservedeler som ikke er originale, utelukkes ethvert erstatningsansvar.
- Den kompakte trykkforsterkeren skal kun monteres, settes i gang, vedlikeholdes og stenges av tilstrekkelig kvalifisert og autorisert personale.
- Driftsansvarlig skal sørge for at den kompakte trykkforsterkeren vedlikeholdes og monteres av tilstrekkelig kvalifisert og autorisert personale.
- Utfører service på systemet kun når maskinen er slått av.
- Pumpehuset må være ved omgivelsestemperatur.
- Pumpehuset må være trykkavlastet og tomt.
- Prosedyrene som er beskrevet i håndboken for å stenge ned systemet, skal under alle omstendigheter overholdes.
- Sikkerhetsutstyr og verneinnretninger skal installeres igjen og aktiveres straks etter at arbeidet på systemet er fullført. Før du starter opp igjen, må du konsultere sjekklisten for oppstart.
- Hold uvedkommende personer (f.eks barn) borte fra systemet.
- Vent minst 10 minutter før du åpner den kompakte trykkforsterkeren, eller før du kobler fra spenningen

1.8 Ikke tillatte driftstyper

Grensene som er oppgitt i dokumentasjonen må alltid overholdes. En pålitelig funksjon av det leverte systemet er kun garantert når det brukes som forutsatt.

2 Generell informasjon

2.1 Grunnprinsipper

Håndboken utgjør en del av serien og de versjonene som er nevnt på tittelsiden. Håndboken beskriver sikker og riktig bruk i alle driftsmåter.

Håndboken beskriver sikker og riktig bruk i alle driftsmåter. Typeskiltet angir serie og størrelse, de viktigste driftsdata og bestillingsnummeret. Fabriknummeret/serienummeret beskriver/identifiserer systemet unikt og tjener dette formålet for alle videre ved forretningsmeddelelser.

2.2 Installasjon av ufullstendig maskin

For installasjon av ufullstendige maskiner må du se kapitlet om vedlikehold.

2.3 Målgruppe

Målgruppen for driftsanvisningene er teknisk opplært personell.

2.4 Andre relevante dokumenter

Dokumenter	Innhold
Leverandør-dokumentasjon	Bruksanvisninger og ytterligere dokumentasjon av ekstrautstyr og integrerte maskindeler

2.5 Sikkerhetsinstruksjoner i denne håndboken



FARE!

Steder med dette skiltet kjennetegner at død, alvorlige personskader eller store materielle skader vil oppstå hvis de nødvendige forholdsreglene ikke blir fulgt!



ADVARSEL!

Steder med dette skiltet kjennetegner at dødsfall, alvorlige personskader eller store materielle skader kan oppstå hvis de nødvendige forholdsreglene ikke blir fulgt!



FORSIKTIG!

Steder med dette skiltet kjennetegner at små personskader eller materielle skader kan oppstå hvis de nødvendige forholdsreglene ikke blir fulgt!



FARE!

Generell farekilde
Kombinert med et signal angir dette symbolet fare for dødsfall eller personskader.

**LIVSFARLIG SPENNING**

Livsfarlig spenning
Kombinert med et signal angir dette symbolet fare for dødsfall eller personskader som skyldes elektrisk spenning, og informasjon for beskyttelse mot elektrisk spenning.

**FORSIKTIG!**

Maskindefekt
Kombinert med signalet FORSIKTIG angir dette symbolet fare for maskinen og funksjonene.

3 Transport og lagring**3.1 Kontroller tilstanden etter levering**

1. Ved levering skal innholdet i hver pakke sjekkes for skader.
2. I tilfelle transportskader skal omfanget vurderes, skader dokumenteres og Resideo skal umiddelbart varsles skriftlig.

3.2 Transport**FARE!**

Velt av den kompakte trykkforsterkeren

Fare for å klemmes av den kompakte trykkforsterkeren!

- ▶ Pass på at systemet ikke blir viklet inn i elektriske ledninger.
- ▶ Følg lokale sikkerhetsforskrifter.
- ▶ Ta hensyn til vekt, balansepunkt og opphengpunkt
- ▶ Bruk kun egnede og godkjente transportmidler, for eksempel kran, gaffeltruck eller håndløfteutstyr.
- ▶ Når du bruker kran, må du feste og transportere enheten som vist, eller flytte pallen med gaffeltruck eller jekketralle.



Fig. 19 Feste løftemidler og transport

Velg den passende transportenheten for vektlassen.

1. Fjern emballasjen og hettene i tilkoblingsåpningene
2. Kontroller for transportskader.
3. Transporter den kompakte trykkforsterkeren til monteringsstedet
4. Løft den kompakte trykkforsterkeren fra pallen med egnet løfteutstyr
5. Legg stropper rundt den kompakte trykkforsterkeren som vist.
6. Løft den kompakte trykkforsterkeren fra pallen med egnet løfteutstyr, og kast pallen
7. Sett den kompakte trykkforsterkeren forsiktig ned på monteringsstedet.

3.3 Lagring/konservering**FORSIKTIG!**

Skader under lagring som følge av frost, fuktighet, smuss, UV-stråling eller skadedyr

Korrosjon/forurensning av den kompakte trykkforsterkeren!

Beskytt den kompakte trykkforsterkeren mot frost, ikke lagre den utendørs.

**FORSIKTIG!**

Fuktige, skitne eller skadede åpninger og overgangsstykker

Lekkasje eller skader i den kompakte trykkforsterkeren!

- ▶ Åpninger i den kompakte trykkforsterkeren skal kun avdekkes under montering.

3.4 Retur

1. Trekk støpselet ut av kontakten
2. Skyll og rengjør den kompakte trykkforsterkeren, særlig med tanke på skadelige, eksplosive, varme eller andre farlige væsker.
3. Hvis det er transportert pumpevæsker med rester som sammen med fuktighet fører til korrosjonsskader, eller antennes i tilfelle kontakt med oksygen, må du i tillegg nøytralisere og blåse gjennom den kompakte trykkforsterkeren med anhydros gass for å tørke den.
4. Den kompakte trykkforsterkeren skal alltid følges av en ferdig utfylt godkjenningserklæring. Det er viktig at du oppgir iverksatte tiltak for sikkerhet og dekontaminering.

3.5 Avhending**ADVARSEL!**

Farlig eller varmt pumpemedium

Farlig for mennesker og miljø!

- ▶ Samle sammen og kasser borevæske
- ▶ Bruk verneklær og maske om nødvendig.
- ▶ Følg gjeldende forskrifter om kassering av farlige medier.

1. Fjern den kompakte trykkforsterkeren.
Samle sammen fett og smøremidler under demontering
2. Separer pumpematerialet for eksempel i henhold til:
 - Metall
 - Syntetisk materiale
 - Elektronisk skrap
 - Fett og oljer
3. Avhend avfallet i samsvar med lokale forskrifter, eller la det avhendes i henhold til regelverket.

Elektriske apparater eller elektronisk utstyr som er merket med eget symbol, skal ikke kastes med husholdningsavfallet. Kontakt det lokale avfallsselskapet i tilfelle retur.

Hvis det elektriske apparatet eller den elektroniske enheten inneholder personopplysninger, er det brukerens ansvar å slette disse før enhetene returneres.

4 Beskrivelse

4.1 Generell beskrivelse

Helautomatisk, tilkoblingsklar kompakt trykkforsterker som består av en enkel pompeenhet og en buffertank for hygienisk separasjon av drikkevann, beskytter mot ikke drikkbart vann av væskekategori 5, type AB i henhold til NS-EN 1717.

Versjon uten hastighetsstyring:

Et helautomatisk styringssystem slår pumpen av og på avhengig av trykket, og slår den av strømningsavhengig. Hvis trykket faller under den forhåndsangitte innstillingen, vil pumpen slås på for å generere et konstant trykk. Med fallende forbruk og en strømning som faller under minimum strømningsrate, vil pumpen slå seg av.

Tilkoblingen for tørrkjøringsbeskyttelse er utformet som en digital inngang. Hvis tilkoblingen er åpen, vil styringsboksen slå av den kompakte trykkforsterkeren etter ca. 10 sekunder (fabrikkinnstilling).

Versjon med hastighetsstyring:

Et helautomatisk styringssystem slår pumpen av og på avhengig av trykket. Hvis trykket faller under den forhåndsangitte innstillingen, vil pumpen slås på for å generere et konstant trykk. Når forbruket synker, og trykket faller under det forhåndsangitte trykket, vil pumpen slå seg av.

Tilkoblingen for tørrkjøringsbeskyttelse er utformet som en digital inngang. Hvis tilkoblingen er åpen, vil styringsboksen slå av den kompakte trykkforsterkeren etter ca. 10 sekunder (fabrikkinnstilling).



4.2 Tekniske data

Media	
Medium:	Industrielt vann Kjølevann Væsker som ikke angriper materialer kjemisk og mekanisk. maks +30 °C
Vannmengde:	
CBU142 (PÅ/AV)	
CBU142FU	opptil 8 m ³ /t, 2,22 l/s
Maks. løftehøyde:	
CBU142 (PÅ/AV)	76 m
CBU142FU	70 m
Tilkoblinger/Dimensjoner	
Tilkoblingsdimensjoner:	G 1 1/4" - R 1 1/4"
Trykkverdier	
Maks. driftstrykk:	
CBU142 (PÅ/AV)	8 bar
CBU142FU	6,5 bar
Spesifikasjoner	
Pumpe:	1-fase-vekselstrøm (AC) motor
Nettspenning:	230 V, 50 Hz
Beskyttelsesklasse:	
CBU142 (PÅ/AV)	
CBU142FU	IP55
Termisk klasse:	F
Effekt:	1,5 kW (P _N)
Strømforbruk:	9,0 A
Tom vekt:	81 kg
Tankvolum:	100 liter
Automatisering:	
CBU142 (PÅ/AV)	Skilleenhet, Trykkavhengig innkobling, og strømningsavhengig utkobling.
CBU142FU	Frekvensomformer med en fase, motormontert, Trykkavhengig inn- og utkobling

4.3 Valgfritt tilleggstryr

Gå inn på homecomfort.resideo.com/europe for ekstratstyr

4.4 Typeskilt

Typeskilt CBU142 (PÅ/AV)		Typeskilt CBU142FU	
1	Braukmann CBU142-32A-065 Dato 1903	5	
2	230 V / 50 Hz 1 ~ 9.0 A	2	230 V / 50 Hz 1 ~ 9.0 A
3	H _{max} : 76.0 m Q _{max} : 8.0 m ³ /h	3	H _{max} : 70.0 m Q _{max} : 8.0 m ³ /h
4	1.5 kW IP 55	4	1.5 kW IP 55
	CE  Made in Germany 29134997	8	CE  Made in Germany 29135157
1	Serie, størrelse	5	Datakode
2	Nettspenning, strømforbruk	6	Maks. tillatt strømningshastighet
3	maks. løftehøyde	7	Beskyttelsesklasse
4	Effektforbruk	8	Produktkode

Nøkkel for produksjonsnummer

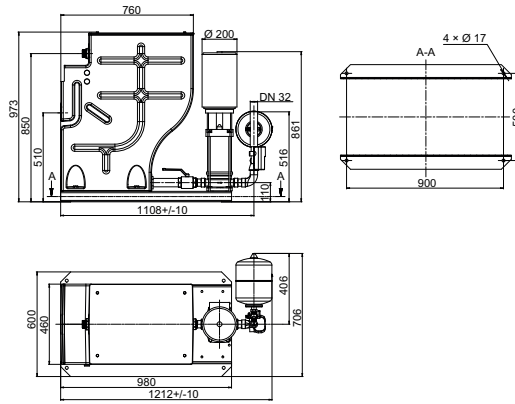
Siffer	Betydning
19	Produksjonsår
03	Produksjonsuke

Les dette: For eksempel: 1903

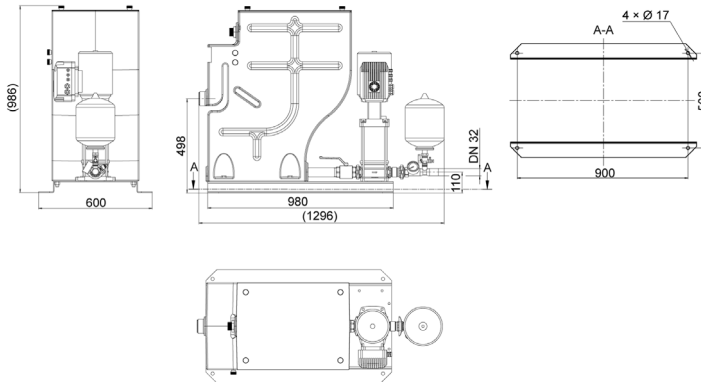
4.5 Dimensjoner

Oversikt

CBU142 (PÅ/AV)



CBU142FU



Les dette: Alle dimensjoner i mm hvis ikke annet er oppgitt.

5 Retningslinjer for installasjon

5.1 Test før oppstart



ADVARSEL!

Installasjon på steder som ikke er i plan, og på ikke-bærende oppstillingssteder

Fare for personskader og materielle skader!

- ▶ Sikre tilstrekkelig trykkfasthet i henhold til klasse C12 / 15 for betong i eksponeringsklassen X0 i henhold til EN 206- 1.
- ▶ Monteringsstedet må være horisontalt
- ▶ Ta hensyn til vekten



OBS

Tilstrekkelig lydisolasjon for bygningen er sikret på grunn av den kompakte trykkforsterkerens sikre oppslagsingssystem.



OBS

Den kompakte trykkforsterkeren skal ikke brukes i nærheten av oppholdsrom og soverom.

Kontroller følgende punkter før installasjon:

- Undersøk bygningsstrukturen og klargjør den iht. dimensjonerings skjemaet.
- Iht. spesifikasjonene på typeskillet er anlegget egnet for strømmettet.
- Frostfritt monteringssted
- Låsbart monteringssted
- Godt ventilt monteringssted
- En tilstrekkelig dimensjonert tilkobling til avløp (tilkobling for drenering eller lignende) er påkrevd (følg EN 12056).
- Følg kompensatorens krypmotstand om tilgjengelig.
- Kompensatorer må være lett tilgjengelige og kunne skiftes ut på en enkel måte.

5.2 Installasjon av kompakt trykkforsterker



ADVARSEL!

Den kompakte trykkforsterkeren er toptung.

Fare for personskader hvis den kompakte trykkforsterkeren veltar

- ▶ Sikre systemet slik at det ikke kan velte før den har blitt permanent forankret.
- ▶ Forankre systemet sikkert til fundamentet.



For å unngå overføring av vibrasjoner og resonans til kompakt trykkforsterker, det anbefales å installere kompensatorer med et tverrstag.

Emballasjen er fjernet

Egnet sted er valgt iht. spesifikasjonene

Det er nok plass for servicearbeid i alle retninger.

1. Marker monteringshullene på gulvet som beskrevet i databladet.
2. Borehull (maks. Ø12 mm).
3. Sett egnede plugger i riktig størrelse.
4. Plasser systemet for montering.
5. Forankre systemet fast til fundamentet med passende skruer

5.3 Tilkobling rørledning

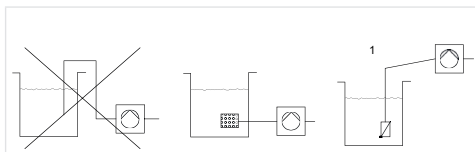


FORSIKTIG!

Dannelse av luftlommer i sugeledningen

Kompakt trykkforsterker kan ikke føre pumpemediet!

- ▶ Installer rørledningen stigende



1 Sugemodus

Fig. 20 Riktig tilkobling av rørledningen

Det anbefales å bruke kompensatorer med tverrstag.

1. Rørledninger skal alltid installeres slik at de uten mekanisk spenning.
2. Rørledning med utløpstrykkledninger med fordelingsledningene på retur- og utløpssiden.

5.3.1 Installasjon av rørledningskompensator



FARE!

Gnister og strålevarme

Brannfare!

- ▶ Iverksett egnede tiltak for å beskytte kompensatoren når det utføres sveisearbeid i nærheten.



FORSIKTIG!

Utett kompensator

Oversvømmelse i installasjonsrommet.

- ▶ Kontroller regelmessig med hensyn til sprekker og bobler, utildekket materiale eller andre mangler.

Kompensatoren er utstyrt med lydisolering mot strukturbåren lyd for å avbryte lengebegrensningen for å absorbere eventuelle reaksjonskrefter.

1. Kompensatoren skal monteres i rørledningen uten mekanisk spenning.
2. Trekk til skruene jevnt over kryss.
3. Kompensatoren må ikke dekkes til med maling og alltid beskyttes mot olje.
4. Kompensatoren må alltid være tilgjengelige på den kompakte trykkforsterkeren for kontroll/inspeksjon og må derfor ikke integreres i rørisoleringen.
5. Kompensatoren er utsatt for slitasje.

5.4 Elektrisk tilkobling



LIVSFARLIG SPENNING

Ukvalifiserte personer som arbeider på den kompakte trykkforsterkeren

Livsfare grunnet elektrisk støt!

- ▶ Arbeid på elektrisk utstyr skal kun utføres av spesialiserte elektrikere.
- ▶ Følg bestemmelsene i IEC 60364.



LIVSFARLIG SPENNING

Defekt nettilkobling

Skade på strømforsyningsnettet, kortslutning!

- ▶ Overhold de tekniske bestemmelsene for tilknytning til det lokale elektrisitetssynet.

Tverrsnittet for strømforsyningsledningen må bestemmes i henhold til total tilkoblingsverdi.

6 Igangkjøring/driftsstans

6.1 Igangkjøring

6.1.1 Nødvendig ved oppstart



FORSIKTIG!

Tørkjøring av pumpe

Skade på pumpen/den kompakte trykkforsterkeren

- ▶ Hvis tørkjøringsvernet er deaktivert, tar driftsansvarlig ansvaret i tilfelle tørkjøring.

Før oppstart av av den kompakte trykkforsterkeren utføres, må følgende punkter ivaretas:

- Den kompakte trykkforsterkeren er elektrisk tilkoblet alle beskyttelsesinnretningene iht. forskriftene.
- De relevante EL-forskriftene og landsspesifikke forskrifter må overholdes og være oppfylt.

6.1.2 Fyll opp og ventiler den kompakte trykkforsterkeren



FORSIKTIG!

Rørledningen må være fri for rester

Skade på pumpen/den kompakte trykkforsterkeren

- ▶ Før oppstart (og testing) må du sørge for at rørledninger og den kompakte trykkforsterkeren er fri for rester.



Den kompakte trykkforsterkeren er hydraulisk testet med vann og deretter tømt før levering. Det er teknisk umulig å hindre restvann.

Fjern hettene fra tilkoblingsåpningene rett før installasjon

Følg EN 806 før oppstart av den kompakte trykkforsterkeren.

Etter lang levetid anbefales skylling eller profesjonell desinfisering.

For større eller omfattende røranlegg kan du lokalisere skylling av enheten.



Mekaniske tetninger kan kort vise tegn på lekkasje under oppstart, men ikke lenger etter en kort driftsperiode.

- Rørformstykker mellom pumpe og rørlledning må strammes.
 - Den originale driftshåndboken for pumpen er tilgjengelig.
 - Det må kontrolleres om flensforbindelser er godt festet.
 - Inn- og utgangsåpninger for luftkjøling av motoren er frie.
 - Alle avstengningsventiler i systemet er åpne.
 - Forladetrykket for membrantrykkbeholderen er kontrollert.
1. Åpne lufteskruene iht. de originale driftsinstruksjonene for pumpesettet.
 2. Åpne avstengningsventilene på inngangssiden sakte, og fyll systemet inntil vannet renner ut av hvert lufteborehull.
 3. Steng lufteskruene, trekk pumpeluftingen lett til.
 4. Slå på den kompakte trykkforsterkeren.
 5. Løsne lufteskruene og slipp ut gjenværende luft.
 6. Åpne avstengningsventilen.
 7. Løsne lufteskruene og slipp ut gjenværende luft.
 8. Trekk til lufteskruene.
 9. Kontroller om pumpen kjører jevnt.
 10. Steng avstengningsventilen på trykksiden, og kontroller om pumpen når nullpunktet.
 11. Steng avstengningsventilen
- Pumpen slår seg av

6.1.3 Slå på

Versjon uten hastighetsstyring:

Den kompakte trykkforsterkeren er fylt og ventileret

1. Sett støpselet inn i kontakten.

Versjon med hastighetsstyring:

Den kompakte trykkforsterkeren er fylt og ventileret

1. Sett støpselet inn i kontakten.
 - Når strømforsyningen er på, vil det røde lyset (LED) på frekvensomformerens lyse
 - Når systemet er klar for bruk, vil den grønne SET-dioden (LED) på frekvensomformerens blinke
2. Trykk start/stopp-knappen på frekvensomformerens
 - Pumpen starter, blinkehastigheten på driftsdioden (LED) økes
 - Når driftsdioden (LED) lyser fast, er settpunktet nådd

6.1.4 Sjekkliste for oppstart

Arbeid- strinn	Handling	Utført
1	Les bruksanvisning.	
2	Kontroller spenningsforsyningen og sammenlign den med verdiene på typeskiltet.	
3	Sjekk jordingsystemet (ved måling).	
4	Sjekk de mekaniske koblingene til vannforsyningssystemet. Trekk til flenser og skruer.	
5	Fyll og luft ut den kompakte trykkforsterkeren fra inngangssiden.	
6	Sjekk oppfyllingen.	
7	Kontroller pumpestyringsenheten for å se om alle elektriske ledninger fremdeles sitter godt i klemmene.	
8	Kontroller forinnstilt verdi, korrigjer om nødvendig.	
9	Kontroller om beskyttelsen mot tørrkjøring fungerer. Hvis ikke tilgjengelig, merk i oppstartsprotokoll.	
10	Luft ut pumpen en gang til, etter at den har kjørt i noen minutter (5 til 10).	
11	Kontroller forladetrykket	
12	Fyll ut oppstartsprotokollen sammen med operatøren og vis operatøren hvordan maskinen fungerer.	

6.2 Begrensninger for driftsområdet



FARE!

Overskride begrensningene

Skader på pumpeenheten!

- ▶ Overhold driftsdataene angitt i databladet.
- ▶ Unngå drift mot stengt avstengningsventil.
- ▶ Bruk aldri pumpesettet utenfor begrensningene angitt nedenfor.



FARE!

Eksplisjonsfare!

Overskride bruksbegrensningene for pumpemediet.

- ▶ Pump aldri ulike væsker som kan reagere med hverandre kjemisk.
- ▶ Pump aldri et brennbart medium med en mediumtemperatur over antenningstemperaturen.



FORSIKTIG!

For stor temperaturforskjell mellom medium og pumpe

Maskinskade!

- ▶ Temperaturforskjellen mellom medium og pumpe skal aldri overskride 60 °C.
- ▶ I tilfeller hvor temperaturforskjellen mellom pumpen og mediet er over 30 °C, må du fylle/varme opp pumpen sakte for å unngå faren for temperatursjokk.

Driftsområdet avhenger av bruken og en kombinasjon av trykk og temperatur.

6.2.1 Miljøforhold

La delene ligge i originalemballasjen og pakk dem ut rett før bruk.

Følgende betingelser gjelder under transport og lagring:

Betingelser	Krav
Miljø:	rent, tørt og støvfritt
Min. omgivelsestemperatur:	0 °C
Maks omgivelsestemperatur:	
CBU142 (PÅ/AV)	+40 °C
CBU142FU	+30 °C
Maks. relativ luftfuktighet i omgivelsene	85 % *

*ikke kondenserende

6.2.2 Maks. driftstrykk



FORSIKTIG!

Overskride tillatt driftstrykk.

Skade på tetninger og tilkoblinger!

- ▶ Ikke overskrid driftstrykket i databladet.

6.2.3 Pumpemedium

- Industrielt vann
- Kjølevann
- Væsker som ikke angriper materialer kjemisk og mekanisk.

6.3 Driftsstans

6.3.1 Slå av

Versjon uten hastighetsstyring:

1. Trekk ut støpselet

Versjon med hastighetsstyring:

1. Trykk start/stopp-knappen på frekvensomformereren
 - Pumpen stopper, den grønne driftsdioden (LED) slukker
2. Trekk ut støpselet

6.3.2 Prosedyrer for nedstengning

Den kompakte trykkforsterkeren er koblet fra strømforsyningen.

1. Steng kuleventilen
2. Koble innløpet til tanken om tilgjengelig.
3. Åpne dreneringsplugg 1 og tøm tanken.

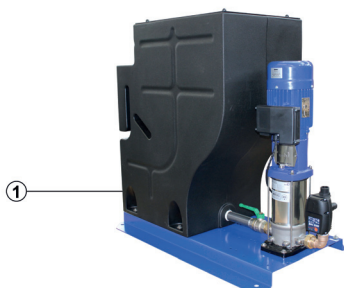


Fig. 21 Åpne dreneringspluggen

Eksempel på CBU142

- | | |
|---|-----------------|
| 1 | Dreneringsplugg |
|---|-----------------|

7 Drift



FORSIKTIG!

Ukorrekt drift

Skade på pumpesystemet!

- ▶ Påse at alle lokale krav er fulgt, særlig maskindirektivet og lavspenningsdirektivet.
- ▶ Kontroller elektrisk kabling før oppstart.

7.1 Pumpestyringsenhet

Versjon uten hastighetsstyring:



Fig. 22 Pumpestyringsenhet (utside)

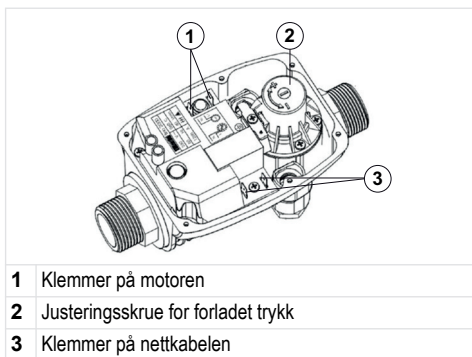


Fig. 23 Pumpestyringsenhet (innside)

Versjon med hastighetsstyring:



En app er tilgjengelig for at servicepersonell med spesiell opplæring skal kunne koble seg til enheten. Denne appen kan du kjøpe i Google Play eller Apple Appstore.

Frekvensomformereren er motormontert og selvkjølende. Den er utstyrt med følgende indikatorer:

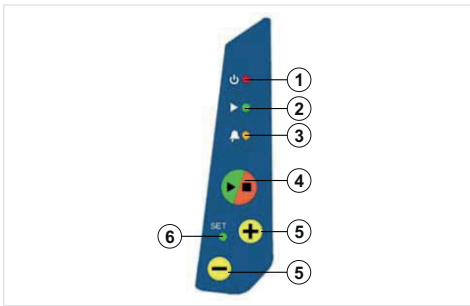


Fig. 24 Display

- 1 Rød LED-diode lyser når enheten har strøm.
- 2 Grønn driftsdiode (LED) blinker med forskjellig frekvens. Jo nærmere det målte trykket er det forhåndsangitte trykket, jo høyere frekvens.
- 3 Gul alarmdiode (LED)
- 4 Start/stopp-knappen starter pumpen.
- 5 Pluss-/minusknapp for justering av motorens hastighet i manuell modus.
- 6 Grønn lysdiode (LED) blinker når pumpen er klar for konstanttrykk-modus.

7.2 Funksjoner

7.2.1 Versjon uten hastighetsstyring

Endre innkoblingstrykk

Innkoblingstrykket kan endres innenfor et område på 2 til 3,5 bar

1. Skru ut skruene i dekslet med egnet verktøy, og ta av dekslet.
2. Vri på innstillingsskruen og still inn innkoblingstrykket til ønsket verdi.
3. Sett på dekslet og trekk til skruene for hånd.

Tilbakestill feilmeldinger

Det røde lyset tennes ved vannmangel eller funksjonsfeil.

Feilårsaken er registrert og fjernet.

1. Holde inn resett-funksjonsknappen i ca. 3 sekunder.

7.2.2 Versjon med hastighetsstyring



Enheden er forhåndsconfigurert fra fabrikk.

Modell	V_{Pa}	maks V_{Av}	maks I_{Pa}	maks I_{Av}	Motorkraft P_2
	V AC	V	A	A	kW
MIDA 205	1~230 +/-15 %	3~230	8	5	1,1

Pumpen er korrekt slått på

1. Ventilen i trykkledningen åpnes lett
2. Hvis SET-diode (LED) på frekvensomformerer blinker, kan du trykke +/- fram til SET-diode (LED) lyser fast
3. Trykk (+) for å øke innkoblingstrykket, eller (-) for å redusere det
 - Innstillingen aksepteres automatisk innen tre sekunder

8 Vedlikehold

8.1 Generell informasjon/ sikkerhetsforskrifter



LIVSFARLIG SPENNING

Utisiktet innkobling av den kompakte trykkforsterkeren

Livsfare!

- ▶ Den kompakte trykkforsterkeren må være uten spenning for alle reparasjoner og vedlikeholdsarbeid. (Trekk ut støpselet)
- ▶ Sikre mot ny oppstart.



ADVARSEL!

Uhensiktsmessig løfting / flytting av tunge moduler eller komponenter

Fare for personskader eller materielle skader!

- ▶ Ved flytting av tunge moduler eller komponenter må det brukes passende transportinnretninger, løfteredskap og løfteutstyr.



FORSIKTIG!

Ukvalifiserte personer som arbeider på den kompakte trykkforsterkeren

Fare for personskader!

- ▶ La kun spesielt kvalifisert personell utføre reparasjoner og vedlikeholdsarbeid.



FORSIKTIG!

Feilaktig vedlikehold på den kompakte trykkforsterker

Riktig funksjon av den kompakte trykkforsterkeren kan ikke lenger sikres!

- ▶ Utfør regelmessig vedlikehold på den kompakte trykkforsterkeren.
- ▶ Sett opp en vedlikeholdsplan for den kompakte trykkforsterkeren som fokuserer spesielt på pumpe-smøring, akseltetning og clutch.

Den kompakte trykkforsterkeren skal kun monteres, settes i gang, vedlikeholdes og stenges av tilstrekkelig kvalifisert og autorisert personale.

- Følg alltid sikkerhetsforskriftene og -instruksjonene.
- Overhold instruksene for arbeid på pumpen.
- I tilfelle skader, ta kontakt med vårt kundesenter.
- Ved å sette opp en vedlikeholdsplan, vil det nødvendige vedlikeholdet for å unngå kostbare reparasjoner og oppnå en feilfri og pålitelig funksjon av den kompakte trykkforsterkeren, bli holdt på et minimum.
- Unngå å bruke kraft i forbindelse med demontering og montering.
- Under normal drift vil det ikke utgå noen biologisk fare fra den kompakte trykkforsterkeren.

- Farer kan føre til mikrobiologisk kontaminering.
- Rengjør buffertanken regelmessig med rent drikkevann!

8.2 Vedlikehold

8.2.1 Overvåkning av driften



FORSIKTIG!

Tørrkjøring forårsaker økt slitasje

Skader på pumpeenheten!

- ▶ Pumpen skal aldri kjøres når den er tom.
- ▶ Avstengningsventilen i sugeledningen og/eller tilførselsledningen skal aldri stenges under drift.



FORSIKTIG!

Overskride den tillatte temperatur for mediet som pumpes

Skader på pumpene!

- ▶ Drift over lengre tidsperioder er ikke tillatt med stengte avstengningsventiler (overoppheting av pumpemedium).
- ▶ Ta hensyn til temperaturverdiene som er angitt i databladet og under tekniske data.

Under drift skal følgende punkter observeres og kontrolleres:

- Sammenlign forladetrykket til membrantrykkbeholderen med de anbefalte verdiene.
 - Kontroller rullelagene for driftsstøy.
- Vibrasjoner, støy og økning i strømforbruket under konstante driftsforhold er et tegn på slitasje.
- Følg funksjonene til tilleggstilkoblingene om tilgjengelig.

8.2.2 Vedlikeholdsplan

Intervall	Tiltak
Min. en gang i året	<p>Pumpen og drivmotoren bør gå jevnt, mekaniske tetninger bør ikke lekke</p> <p>Sjekk om avstengnings-, tømme- og tilbakeslagsventilene fungerer riktig og at det ikke finnes lekkasje.</p> <p>Silen i trykkreduksjonsventilen, hvis montert</p> <p>Sjekk kompensatorene for slitasje (hvis montert).</p> <p>Sjekk forladetrykket og, om nødvendig, sjekk om membrantrykkbeholderen lekker.</p> <p>Sjekk automatisk kobling.</p> <p>Kontroller innkoblings-/utkoblingspunktene i systemet.</p> <p>Kontroller vanntilførselen, forladetrykket, vannmangelovervåkningen, og trykkreduksjonsventilen.</p> <p>Sjekk om overløpet er tett og rent.</p>

8.2.3 Still inn forladetrykket



FARE!

o Fylling av feil gass i ekspansjonskaret

Fare for forgiftning!

- ▶ Trykkputen skal bare fylles med nitrogen.



FORSIKTIG!

Forladetrykk for høyt

Fare for skader på tanken!

- ▶ Observer verdiene som er angitt av produsenten av tanken (se typeskiltet eller håndboken for tanken).

Forladetrykket for trykkbeholderen bør settes til en verdi som er lavere enn den programmerte innkoblingstrykket.

Eksempel: Forladetrykk 10 % under innkoblingstrykket

Forladetrykk for membrantrykkbeholderen $p = 0,9 \times p_E$
 p_E = innkoblingstrykk for den kompakte trykkforsterkeren

Anbefaling

Disse er middelverdier. Eksperimenter utført på tanker har vist at de beste lagringsvolumene ble oppnådd for trykk >3bar med en faktor på 0,9 og trykk på <3bar med en faktor på 0,8.

Eksempel:

$p_E = 5$ bar: Forladetrykk $5 \times 0,9 = 4,5$ bar

$p_E = 2$ bar: Forladetrykk $2 \times 0,8 = 1,6$ bar

Kontroller forladetrykket :

1. Steng avstengningsventilene under membrantrykkbeholderen.
2. Tøm membrantrykkbeholderen via dreneringsventilen.
3. Skru beskyttelseshetten av ventilen på membrantrykkbeholderen, og oppbevar den trygt
4. Bruk egnet kontrollutstyr (f.eks. dekktrykkmåler) for å kontrollere forladetrykket.
5. Sett beskyttelseshetten på ventilen på membrantrykkbeholderen.

Fyll membrantrykkbeholderen

- Skru beskyttelseshetten av ventilen på membrantrykkbeholderen, og oppbevar den trygt
- Fyll på nitrogen via ventilen.
- Sett beskyttelseshetten på ventilen på membrantrykkbeholderen.

8.3 Skift ut pumpestyringsenheten

1. Trekk støpselet ut av kontakten
2. Rørleggget må dreneres
3. Steng kuleventilen
4. Løse unionmutteren på pumpestyringsenheten
5. Skift ut pumpestyringsenheten
6. Fyll opp rørdningene
7. Sett støpselet inn i kontakten
8. trykk på resett-funksjonsknappen på pumpestyringsenheten

9 Feilsøking



ADVARSEL!

Ukorrekt arbeid for feilsøking

Fare for personskader!

- ▶ Følg relevante instruksjoner i denne driftshåndboken og/eller produsentens dokumentasjon



Manglende overholdelse vil føre til tap av alt erstatningsansvar.

A	Kompakt boosterenheter slås av
B	Trykksvingninger på trykksiden
C	Den kompakte boosterenheten starter ikke.
D	Pumpen kjører men pumper ikke vann.
E	Kompakt boosterenheter pumper for lite
F	Trykket på trykksiden er for lavt
G	Trykket på trykksiden for høyt
H	Lekkasje på den mekaniske tetningen
I	Overoppheting av motor/pumpe.
J	Motorvern bryteren er aktivert.
K	Kompakt boosterenheter slår seg ikke av
L	Kompakt boosterenheter slås på og av for ofte
M	Overoppheting av motor/pumpe.

A	B	C	D	E	F	G	H	I	J	K	L	M	Årsak	Løsning
x	-	x	-	-	-	-	-	-	-	-	-	-	Beskyttelse mot tørrkjøring er ikke tilkoblet	Koble til eller bypass
x	-	x	-	-	-	-	-	-	-	-	-	-	Nett-strømforsyningen er avbrutt	Sjekk eller eliminer defekten
x	-	x	-	-	-	-	-	-	-	-	-	-	Styringssikring er utløst	Sjekk og skift om nødvendig
-	x	x	x	x	x	-	-	x	-	-	x	x	Stengeventiler er kun delvis åpnet eller ikke åpnet	Sjekk og åpne om nødvendig
-	-	-	x	x	-	-	-	x	-	x	-	x	Pumpe eller rørledning er ikke fullstendig luftet eller oppfylt	Luft eller fyll opp
-	-	-	-	-	x	-	-	x	x	-	-	x	Pumpen er treg	Pumpen må repareres av en profesjonell
-	-	-	-	-	-	-	x	-	-	-	-	-	Mekanisk tetning er defekt	Skift mekanisk tetning
-	-	x	-	-	-	-	-	x	-	-	-	x	innløpstrykk i trykkbeholder er ikke korrekt	Sett innløpstrykk, skift trykkboble
-	-	-	-	-	-	-	-	-	-	-	x	-	Systemet lekker	Tett systemet
-	-	-	x	-	-	-	-	-	x	x	-	x	kontrollventilen i kompaktboosterenheten er defekt	Sjekk og skift om nødvendig
-	-	-	x	-	x	-	-	-	-	x	x	-	Formen er lavere enn indikert i ordredata	Koble til tanken
-	x	-	-	-	x	-	-	-	x	x	-	-	Vanntilbaketrekkingen er større enn spesifisert i ordredataene.	Undersøkelse er nødvendig

10 Reservedeler

Gå inn på homecomfort.resideo.com/europe for reservedeler

11 Ubetenkelighetserklæring

Type

Bestillingsnummer/Bestilling artikkelnummer³⁾ _____

Leveringsdato _____

Bruksområde _____

Pumpet medium³⁾ _____

Lag en hake hvis aktuelt³⁾:



korrosiv



oksyderende



brannfarlig



eksplosiv



helsefarlig



helseskadelig



giftig



radioaktiv



miljøskadelig

uskadelig

Grunner for retur³⁾ _____

Merknad: _____

Systemet / tilbehøret må være tømmes nøye og rengjøres på utsiden så vel som på innsiden.

- Ingen spesielle sikkerhetstiltak er nødvendig for videre handling.
- De følgende sikkerhetsforanstaltninger med hensyn til skylling av medium, restvæsker og deres avhending er påkrevd:

Vi forsikrer at ovenstående informasjon er korrekt og fullstendig og at levering vil skje i henhold til lovens krav.

Sted, dato og underskrift

Adresse

Firmastempel

12 Opstartsprotokoll

Den følgende såkalte Resideo Compact Booster Unit (kompakt trykkforsterkeren) ble tatt i drift i dag av undertegnede, autorisert Resideo kundeservicepersonell, og denne protokollen ble skrevet

Kompakt trykkforsterker

Serie _____

Størrelse _____

Serienummer _____

Bestillingsnummer _____

Kunde/Driftssted

Kunde

Driftssted

Navn _____

Adresse _____

Driftsdata refererer til kretsskjema for tilleggsdata

Innkoblingstrykk

p_E bar

Overvåkning

$p_{f\text{ør}} - X$

forladetrykkInnstillingsverdi for

forladetrykk bryter

Utkoblingstrykk

p_A bar

Forladetrykk

$p_{f\text{ør}}$ bar

Forladetrykk tank

$p_{f\text{ør}}$ bar

Operatørselskapet eller deres kunde bekrefter herved å være fullt opplært i drift og vedlikehold av den kompakte trykkforsterkeren Kretsskjemaer og instruksjoner/håndbøker ble også levert.

Mangler funnet under oppstart

Mangel 1

Planlagt utbedring

Resideo-kundens navn

Leverandørens og entreprenørens navn

Sted

Dato

1 Säkerhetsanvisningar

1. Beakta monteringsanvisningen.
2. Utrustningen ska användas
 - enligt dess avsedda användning
 - i gott skick
 - med vederbörlig hänsyn till säkerhet och risk för fara.
3. Tänk på att enheten bara är avsedd för användning i de applikationer som monteringsanvisningen anger (se 4.2 Tekniska data). All annan användning räknas som ej avsedd användning och innebär att garantin upphör att gälla.
4. Beakta att samtliga monterings-, idriftagnings-, underhålls- och justeringsarbeten endast får utföras av auktoriserad fackpersonal.
5. Störningar som kan påverka säkerheten måste åtgärdas omedelbart.

1.1 Allmänna kommentarer

- Bruksanvisningen innehåller grundläggande anvisningar för montering, drift och underhåll. De ger säker användning och förhindrar person- och saksador
- Följ alla säkerhetsanvisningar.
- Driftansvarig samt ansvarig teknisk personal/operatörer måste ha läst bruksanvisningen före montering och idrifttagning och bruksanvisningen måste alltid finnas tillhands på plats vid kompaktboostern.
- Bruksanvisningen måste alltid finnas tillhands vid anläggningen.
- Följ alla anvisningar och markeringar som sitter direkt på produkten och håll dem fullt läsliga. Det gäller t.ex.:
 - Pil som anger flödesriktningen
 - Anslutningsdekal
 - ID-plåt

1.2 Avsedd användning

Kompaktboostern är bara avsedd för drift i de miljöer som beskrivs i Övriga tillämpliga dokument.

- Använd bara kompaktboostern i perfekt arbetsskick.
- Använd inte delvis monterad kompaktbooster.
- Kompaktboostern är bara avsedd att pumpa medium på det sätt som resp. versions dokumentation beskriver.
- Använd aldrig kompaktboostern utan pumpmedium.
- Följ värdena för minimipumpfrekvens (undvik skador på grund av överhettning, lagring, ...).
- Följ värdena för maxpumpfrekvens (undvik skador på grund av överhettning, flytringstättning, kavitation, lagring, ...).
- Stryp inte ingången till kompaktboostern (för att undvika kavitationsskador).

- Andra driftlägen som inte nämns i dokumentationen kräver koordinering med tillverkaren.

1.3 Personalkompetens och -utbildning

- Låt bara specialutbildad personal göra reparations- och underhållsarbeten.
- Driftansvarig måste noggrant styra upp personalens ansvars- och tillsynsområden vid transport, installation, drift, underhåll och inspektion.
- Det är bara personal som är utbildad, instruerad och behörig som får montera, starta, underhålla och stänga av kompaktboostersystemet.
- Tillverkaren kan i vissa fall arrangera utbildning mot förfrågan från driftansvarig.
- Utbildning av systemoperatörer kräver övervakning av specialisttekniker.

1.4 Konsekvenser och risker om du inte följer bruksanvisningen

- Följer du inte bruksanvisningen, så upphör garantin att gälla och skadeanspråken blir ogiltiga.
- Följer du inte bruksanvisningen, så kan det t.ex. leda till följande risker:
 - Risk för personskador pga. påverkan från el, värme, mekanik och kemi
 - Bortfall av viktiga produktfunktioner
 - Missade, nödvändiga underhålls- och serviceåtgärder
 - Miljörisk pga. läckande farliga ämnen

1.5 Arbeta säkerhetsmedvetet

Följande säkerhetsföreskrifter gäller utöver bruksanvisningens säkerhetsanvisningar och avsedd användning:

- Skadepreventiva föreskrifter, säkerhets- och driftföreskrifter
- Explosionsförebyggande och skyddande föreskrifter
- Säkerhetsföreskrifter för hantering av farliga ämnen
- Tillämplade standarder, föreskrifter och lagar

1.6 Säkerhetsanvisningar för driftansvarig/operatörer

- Ger lokalt skydd mot kontakt med värme, kyla och rörliga delar samt funktionskontroll.
- Ta inte bort kontaktskydd vid drift av pumpen.
- Eliminera risker pga. el (se resp. lands och/eller lokala elbolagens föreskrifter).
- Ökar inte riskpotentialen vid pumpavstängning, ordna ett nödstoppdon direkt vid pumpen/pumpenheten vid installation av pumpuppsättningen.

1.7 Säkerhetsanvisningar för underhåll, inspektion och montering

- Ändringar eller modifieringar av systemet kräver tillverkarens godkännande.
- Använd bara originaldelar eller delar godkända av tillverkaren.
- Användning av delar som inte är godkända kan leda till att produktansvaret och ansvaret för följdskador upphör.
- Det är bara rätt utbildad och behörig personal som får montera, idriftta, underhålla och stänga av kompaktboostern.
- Driftsansvarig måste se till så att det bara är rätt utbildad och behörig personal som underhåller och monterar kompaktboostern.
- Serva bara systemet när maskinen är av.
- Pumphuset måste ha omgivningstemperatur.
- Pumphuset måste vara trycklöst och tomt.
- Du måste under alla omständigheter följa bruksanvisningens metoder för systemavstängning.
- Återmontera säkerhetsutrustning och skydd samt aktivera dem igen direkt efter att systemarbetena är klara. Följ checklistan för uppstart innan du startar upp igen.
- Håll obehöriga (t.ex. barn) borta från systemet.
- Vänta minst 10 minuter innan du öppnar kompaktboostern eller lossar spänningsmatningen

1.8 Otillåtna driftsätt

Du måste alltid följa de gränser som dokumentationen anger. Levererat system garanterar bara tillförlitlig drift vid avsedd användning.

2 Allmän information

2.1 Grundprinciper

Bruksanvisningen är en del av de serier och versioner som nämns på framsidan. Bruksanvisningen beskriver säkra och avsedd användning för alla driftlägen.

Bruksanvisningen beskriver säkra och avsedd användning för alla driftlägen.

Typskylten anger serien och storleken, viktigaste driftinfon och ordernumret. Tillverknings-/serienumret identifierar systemet entydigt och bör användas i det syftet vid alla kommande affärstransaktioner.

2.2 Installation och underhåll

Se resp. Underhållskapitel vid installation.

2.3 Målgrupp

Tekniskt utbildad personal är bruksanvisningens målgrupp.

2.4 Övriga tillämpliga dokument

Dokument	Innehåll
Dokumentation från underleverantörer	Bruksanvisningar och annan dokumentation för extrautrustning och inbyggda maskindelar

2.5 Bruksanvisningens säkerhetsanvisningar



FARA!

Den här skylten uppmärksammar på risk för dödsfall, allvarliga personskador eller betydande saksador om du inte följer lämpliga försiktighetsåtgärder!



WARNING!

Ställen med den här skylten kan innebära risk för dödsfall, allvarliga personskador eller betydande saksador om du inte följer resp. försiktighetsåtgärder!



VAR FÖRSIKTIG!

Ställen med den här skylten kan innebära risk för mindre personskador eller lättare saksador om du inte följer resp. försiktighetsåtgärder!



FARA!

Allmän riskzon
Symbolen i kombination med signal indikerar risk för dödsfall eller personskada.



LIVSFARLIG SPÄNNING

Livsfarlig spänning
Symbolen i kombination med signal indikerar risk för personskada pga. elspänning och ger info om skydd mot elspänning.



VAR FÖRSIKTIG!

Maskinskada
Symbolen i kombination med signalen OBS! indikerar risk för maskinskada och felfunktion.

3 Transport och förvaring

3.1 Gör tillståndskontroll vid leveransmottagningen

1. Kontrollera innehållet i alla förpackningar för skador vid leverans.
2. Uppskatta omfattningen av ev. transportskada, dokumentera skadan och meddela Resideo skriftligen omgående.

3.2 Transport



FARA!

Vältande kompaktbooster

Krossrisk pga. kompaktboostern!

- ▶ Se till att systemet inte snärjs in i elledningarna.
- ▶ Följ de lokala säkerhetsföreskrifterna.
- ▶ Ta hänsyn till vikt, balans- och upphängningspunkt
- ▶ Använd bara lämpliga och godkända transportmedel som kran, gaffeltruck och palldragare.
- ▶ Fäst och transportera säkerhetsavskiljaren som bilden visar vid cranlyft eller flytta pallen med gaffeltruck eller palldragare.



Fig. 25 Montering av lyftdon samt transport

Välj rätt transportsätt som är lämpligt för viktlassen.

1. Ta bort förpackningen och hättorna på anslutningsöppningarna
2. Kontrollera med avseende på transportskador.
3. Transportera kompaktboostern till monteringsplatsen
4. Lyft av kompaktboostern från pallen med lämplig lyftanordning
5. Fäst stroppar runt kompaktbooster som bilden visar.
6. Lyft av kompaktboostern från pallen med lämplig lyftanordning och få undan pallen
7. Sätt försiktigt ned kompaktboostern på installationsplatsen.

3.3 Lagring/konservering



VAR FÖRSIKTIG!

Lagerskada pga. frost, fukt, smuts, UV-strålning eller skadedjur

Korrosion på/kontaminering av kompaktboostern!

Skydda kompaktboostern mot frost, förvara den inte utomhus.



VAR FÖRSIKTIG!

Fuktiga, smutsiga eller skadade öppningar och förgreningar

Läckande eller skadad kompaktbooster!

- ▶ Öppna inte kompaktboosters öppningar förrän vid installation.

3.4 Returleverans

1. Dra ut kontakten ur uttaget
2. Skölj ur och rengör kompaktboostern, särskilt vid skadliga, explosiva, heta vätskor eller andra högriskvätskor.
3. Reagerar transporterade pumpvätskors avlagringar med fukt och ger korrosionsskador eller antändning vid syrekontakt, så måste kompaktboostern dessutom neutraliseras och blåsas ur med vattenfri gas för att torka.
4. Kompaktboostern måste alltid ha ett fullständigt icke-invändningsintyg. Det är viktigt att du anger ev. tillämplade säkerhets- och dekontamineringsåtgärder.

3.5 Omhändertagande



VARNING!

Farligt eller hett pumpmedium

Farligt för människor och miljö!

- ▶ Samla upp och omhänderta vätska
- ▶ Använd skyddskläder och -mask, om det behövs.
- ▶ Följ lagstiftning gällande omhändertagande av farliga medier.

1. Demontera kompaktboostern.
2. Samla upp fett och smörjmedel vid demonteringen
3. Sortera pumpmaterialen till exempel efter:
 - Metall
 - Syntetmaterial
 - Elektronikskrot
 - Fett och smörjmedel
4. Omhänderta enligt gällande, lokala föreskrifter eller ordna omhändertagande enligt föreskrifterna.

El- och elektronikutrustning märkt med symbolen intill får du inte slänga som hushållsavfall när den är uttjänt.

För återvinning, kontakta lokalt återvinningsföretag.

Innehåller uttjänta el- och elektronikenheter personuppgifter, så är det användarens eget ansvar att radera dem före återvinning.

4 Beskrivning

4.1 Allmän beskrivning

Helautomatisk, anslutningsklar kompaktbooster bestående av enkelpump och bufferttank som ger hygienseparation av dricksvattnet och skydd mot odrickbart kategori 5-vatten enligt EN 1717.

Version utan hastighetsreglering:

Ett helautomatiskt reglersystem sätter på och stänger av pumpen beroende av tryck och stänger av den beroende av flöde. Om trycket sjunker under det förinställda trycket slås pumpenheten på och skapar ett konstant tryck. När förbrukningen sjunker och flödet faller under den minimala flödeshastigheten slås pumpenheten från.

Anslutningen för torrkorningsskydd är utformad som en digitalingång. Om anslutningen är öppen så stänger styrenheten av kompaktboostern efter ca 10 sekunder (fabriksinställning).

Version med hastighetsreglering:

Ett helautomatiskt reglersystem sätter på och stänger av pumpen beroende av trycket. Om trycket sjunker under det förinställda trycket slås pumpenheten på och skapar ett konstant tryck. När förbrukningen sjunker och flödet faller under börstrycket slås pumpenheten från.

Anslutningen för torrkorningsskydd är utformad som en digitalingång. Om anslutningen är öppen så stänger styrenheten av kompaktboostern efter ca 10 sekunder (fabriksinställning).



4.2 Tekniska data

Media	
Medium:	Industrivatten Kylvatten Vätskor som inte angriper materialen kemiskt och mekaniskt. max. +30 °C
Flöde:	
CBU142 (ON/OFF)	upp till 8 m ³ /h, 2,22 l/s
CBU142FU	
Max. uppfordringshöjd:	
CBU142 (ON/OFF)	76 m
CBU142FU	70 m
Anslutningar/storlekar	
Anslutningsstorlekar:	G 1 1/4" – R 1 1/4"
Tryckvärden	
Max. drifttryck:	
CBU142 (ON/OFF)	8 bar
CBU142FU	6,5 bar
Specifikationer	
Ställdon:	1-fas växelströmsmotor (AC)
Matningsspänning:	230 V, 50 Hz
Skyddsklass:	
CBU142 (ON/OFF)	IP55
CBU142FU	
Termisk klass:	F
Effekt:	1,5 kW (P _N)
Strömförbrukning:	9,0 A
Tomvikt:	81 kg
Tankvolym:	100 liter
Automatisering:	
CBU142 (ON/OFF)	Ställdon, Tryckberoende tillslagning och flödesberoende frånslagning
CBU142FU	Enfas frekvensomriktare, motormonterad Tryckberoende tillslagning och frånslagning

4.3 Tillval

För tillval, gå in på homecomfort.resideo.com/europe

4.4 ID-plåt

ID-plåt CBU142 (ON/OFF)		ID-plåt CBU142FU	
<p>Pittway Sàrl, Z.A. CH-1180 Rolle La Pièce 4</p> <p>① Braukmann CBU142-32A-065 Datum 1903 ⑤</p> <p>② 230 V / 50 Hz 1 ~ 9.0 A</p> <p>③ H_{max}: 76.0 m Q_{max}: 8.0 m³/h ⑥</p> <p>④ 1.5 kW IP 55 ⑦</p> <p>CE  Made in Germany 29134997 ⑧</p>	<p>Pittway Sàrl, Z.A. CH-1180 Rolle La Pièce 4</p> <p>① Braukmann CBU142FU-32B-065N Datum 1903 ⑤</p> <p>② 230 V / 50 Hz 1 ~ 9.0 A</p> <p>③ H_{max}: 70.0 m Q_{max}: 8.0 m³/h ⑥</p> <p>④ 1.5 kW IP 55 ⑦</p> <p>CE  Made in Germany 29135157 ⑧</p>		

1	Serie, storlek	5	Datakod
2	Nätspänning, strömförbrukning	6	Max. tillåtet flöde
3	max. uppföringshöjd	7	Inträngningsskyddsmärkning
4	Effektupptagning	8	Produktkod

Kod för produktionsnummer

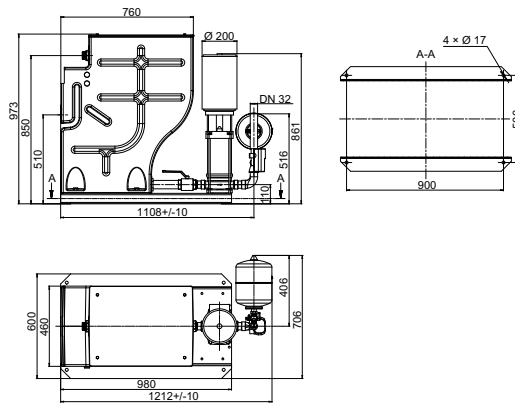
Artikel	Betydelse
19	Tillverkningsår
03	Tillverkningsvecka

OBS: T.ex.: 1903

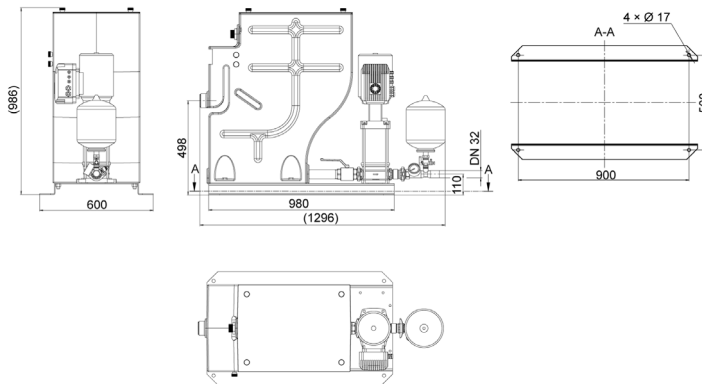
4.5 Mått

Översikt

CBU142 (ON/OFF)



CBU142FU



OBS: Alla mått i mm om inte annat anges.

5 Installationsanvisningar

5.1 Testning före riggning



VARNING!

Installation på onivellerade och fristående installationsplatser

Risk för person- och saksador!

- ▶ Se till så att det finns tillräcklig kompressionsstyrka enligt klass C12/15 för betong med exponeringsklass X0 enligt EN 206-1.
- ▶ Installationsplatsen måste vara horisontal
- ▶ Håll koll på vikten



NOTERING

Kompaktboosters skyddshölje ger tillräcklig ljudisolering i byggnaden.



NOTERING

Kör inte kompaktboostern nära vardags- och sovrum.

Kontrollera följande punkter före installation:

- Inspektera byggnadens arkitektur och förbered den enligt dimensioneringsbladet.
- Systemet är lämpligt för elnät enligt specifikationerna på typskylten.
- Frostfri installationsplats
- Låsbar installationsplats
- Välventilerad installationsplats
- Kräver tillräckligt dimensionerad avtappningsanslutning (avloppsanslutning eller liknande) (enligt EN 12056).
- Håll koll på kompenseringsens krypresistans, om det finns sådan.
- Det måste gå att byta kompenserings smidigt.

5.2 Installera kompaktboostern



VARNING!

Kompaktboostern är topprank.

Risk för personskada pga. välvtande kompaktbooster

- ▶ Säkra systemet så att det inte kan välta innan det är permanentförankrat.
- ▶ Förankra systemet ordentligt i grunden.



Vi rekommenderar att du stagar kompenseringsarna vid installation för att undvika överföring av rörkrafter och stomljud från kompaktboostern.

Förpackningen är borttagen

Lämplig plats är vald enligt specifikationerna

Det finns tillräckligt med utrymme åt alla håll för service.

1. Markera installationshålen på golvet som databladet beskriver.
2. Borra hålen (max. Ø 12 mm).
3. Sätt i lämplig plugg i rätt storlek.
4. Positionera systemet för installation.
5. Förankra systemet ordentligt i grunden med lämpliga skruvar.

5.3 Anslutningsrör



VAR FÖRSIKTIG!

Lufficka i sugledningen

Kompaktboostern kan inte suga pumpmediet!

- ▶ Installera rören stigande

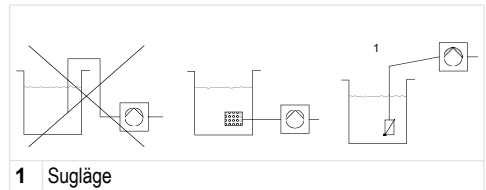


Fig. 26 Rätt röranslutning

Vi rekommenderar att du använder stagade kompenseringsarna.

1. Installera alltid rören spänningsfritt.
2. Rör med trycksatta utkastledningar med distributionsledningar på retur- och utkastsidan.

5.3.1 Installation av rörkompensering



FARA!

Gnistor och strålningsvärme

Brandrisk!

- ▶ Skydda kompenseringsarna med lämpliga åtgärder vid svetsarbeten i närheten.



VAR FÖRSIKTIG!

Läckande kompensering

Översvämmat teknikum.

- ▶ Kontrollera regelbundet med avseende på revor och blåsor, exponerat material och andra defekter.

Kompenseringsarna har stomljudsisolering för att bryta längdbegränsningen och absorbera reaktionskrafterna.

1. Installera kompenseringsarna spänningsfritt på röret.
2. Dra åt skruvarna jämnt korsvis.
3. Måla inte kompenseringsarna och skydda dem mot olja.
4. Kompenseringsarna måste alltid gå att komma åt för inspektion på kompaktboostern och ska därför inte ha rorisolering.
5. Kompenseringsarna slits.

5.4 Elanslutning



LIVSFARLIG SPÄNNING

Risk om obehöriga jobbar på kompaktboostern
Livsfara pga. elstöt!

- ▶ Endast behörig elektriker får installera och arbeta med kompaktboosterns elutrustning.
- ▶ Följ IEC 60364-föreskrifterna.



LIVSFARLIG SPÄNNING

Felaktig elanslutning

Risk för skador på elnätet, kortslutning!

- ▶ Följ de lokala elbolagens villkor för tekniska anslutningar.

Totalanslutningen avgör kabel-Ø på elmatningen.

6 Idrifttagning/urdrifttagning

6.1 Idrifttagning

6.1.1 Uppstartkrav



VAR FÖRSIKTIG!

Torrkörning av pumpen

Risk för skador på pump/kompaktbooster

- ▶ Är torrkörningsskyddet avaktiverat, så ansvarar operatören för ev. torrkörning.

Kontrollera följande punkter före uppstart av kompaktboostern:

- Kompaktboostern är elektriskt ansluten till alla skydd enligt föreskrifterna.
- Alla relevanta krav i VDE-föreskrifter och landspecifika föreskrifter är uppfyllda.

6.1.2 Fyll på och avlufta kompaktboostern



VAR FÖRSIKTIG!

Röret är inte fritt från avlagringar

Risk för skador på pump/kompaktbooster

- ▶ Se till så att rör och kompaktbooster är fria från avlagringar före uppstart (och testning).



Kompaktboostern är hydraultestad med vatten och tömd före leverans. Det går inte att undvika restvatten rent tekniskt.

Ta bort hättorna på anslutningsöppningarna strax före installation

Följ EN 806 före uppstart av kompaktboostern.

Vi rekommenderar ursköljning och proffsdesinficering vid långtidsanvändning.

På stora eller förgrenade rörsystem räcker lokal spolning av säkerhetsavskiljaren.



Flytringstätningarna kan läcka lite vid uppstart, men inte när driften varit igång ett kort tag.

- Dra åt rörkopplingarna mellan pump och rör.
 - Pumpens originalbruksanvisning måste finnas tillhands.
 - Kontrollera att flänskopplingarna är åtdragna ordentligt.
 - Intag och utblås till motorns luftkyllning måste vara fria.
 - Alla avstängningsventiler i systemet måste vara öppna.
 - Membrantryckkärllets förladdningstryck måste vara kontrollerat.
1. Öppna avluftningsskruvarna på pumpen som pumpuppsättningens originalbruksanvisning anger.
 2. Öppna långsamt avstängningsventilerna på inloppssidan och fyll systemet tills det rinner pumpmedium ur alla avluftningshål.
 3. Stäng avluftningsskruvarna, dra åt pumpavluftningen lite.
 4. Slå på kompaktboostern.
 5. Lossa avluftningsskruvarna och släpp ut kvarvarande luft.
 6. Öppna avstängningsventilen.
 7. Lossa avluftningsskruvarna och släpp ut kvarvarande luft.
 8. Dra åt avluftningsskruvorna.
 9. Kontrollera att pumpen går jämnt.
 10. Stäng avstängningsventilens trycksida och kontrollera om pumpen når nolläge.
 11. Stäng avstängningsventilen
- Pumpen slår av

6.1.3 Slå på

Version utan hastighetsreglering:

Kompaktboostern är fylld och avluftad

1. Sätt kontakten i eluttaget.

Version med hastighetsreglering:

Kompaktboostern är fylld och avluftad

1. Sätt kontakten i eluttaget.
 - När strömförsörjningen är aktiv tänds den röda standby-LED:n på frekvensomriktaren
 - När systemet är klart för drift blinkar den gröna SET-LED:n på frekvensomriktaren
2. Tryck på start/stopp-knappen på frekvensomriktaren
 - Pumpenheten går igång, den blinkande drift-LED:ns frekvens ökar
 - När drift-LED:n lyser med fast sken har börvärdet nåtts.

6.1.4 Checklista för uppstart

Arbetssteg	Åtgärd	slutförd
1	Läs bruksanvisningen.	
2	Kontrollera matningsspänningen och jämför med värdena på typskylten.	
3	Kontrollera jordningssystemet (genom mätning).	
4	Kontrollera den mekaniska anslutningen till vattenförsörjningssystemet. Dra åt flänsar och skruvar.	
5	Fyll och avlufta kompaktboostern.	
6	Kontrollera påfyllningen.	
7	Kontrollera kopplingsanordningen för att se att alla elledningar fortfarande är ordentligt anslutna till plintarna.	
8	Kontrollera det förinställda värdet, korrigerar vid behov.	
9	Kontrollera att torrkörningsskyddet fungerar. Om det inte är tillgängligt, anteckna i uppstartsprotokollet.	
10	Avlufta pumpen en andra gång efter att den har kört i några minuter (5–10).	
11	Kontrollera förtryck i membrantryckkärlet	
12	Fyll i uppstartsprotokollet tillsammans med operatören och visa operatören hur maskinen fungerar.	

6.2 Driftintervallsgränser



FARA!

Gränsoverskridelser

Risk för pumpskador!

- ▶ Följ angiven driftinfo på databladet.
- ▶ Undvik drift mot stängd avstängningsventil.
- ▶ Använd inte pumpuppsättningen utom de specificerade gränserna nedan.



FARA!

Explosionsrisk!

Överskrider användningsgränsen för pumpmediet.

- ▶ Pumpa aldrig olika vätskor som kan reagera kemiskt med varandra.
- ▶ Pumpa aldrig brännbara medier med medietemperatur över antändningstemperaturen.



VAR FÖRSIKTIG!

Stor temperaturskillnad mellan medium och pump

Risk för maskinskada!

- ▶ Temperaturskillnaden mellan medium och pump får aldrig överstiga 60°C.
- ▶ Om temperaturskillnaden mellan pump och medium är större än 30 °C ska pumpen fyllas långsamt/ värmas upp för att undvika temperaturchock.

Driftintervallet beror på applikationen och en kombination av tryck och temperatur.

6.2.1 Omgivningsförhållanden

Förvara delarna i originalförpackningen och packa inte upp dem förrän precis innan installation.

Följande parametrar gäller under transport och förvaring:

Parameter	Värde
Miljö:	ren, torr och dammfri
Lägsta omgivningstemperatur:	0 °C
Högsta omgivningstemperatur:	
CBU142 (ON/OFF)	+40 °C
CBU142FU	+30 °C
Max. omgivningsfuktighet:	85 % *

*ej kondenserande

6.2.2 Max. drifttryck



VAR FÖRSIKTIG!

Överskrider tillåtet drifttryck.

Risk för skador på tätningar och anslutningar!

- ▶ Överskrid inte drifttrycket som står på databladet.

6.2.3 Pumpmedium

- Industrivatten
- Kylvatten
- Vätskor som inte angriper materialen kemiskt och mekaniskt.

6.3 Urdrifttagning

6.3.1 Slå av

Version utan hastighetsreglering:

1. Ta ut kontakten från eluttaget

Version med hastighetsreglering:

1. Tryck på start/stopp-knappen på frekvensomriktaren
 - Pumpenheten stannar, den gröna drift-LED:n slocknar
2. Ta ut kontakten från eluttaget

6.3.2 Avstängningsprocedurer

Kompaktboostern är bortkopplad från effektmatningen.

1. Stäng kulventilen
2. Stäng inloppet till tanken, om det finns sådant.
3. Öppna dräneringsplugg 1 och töm tanken.

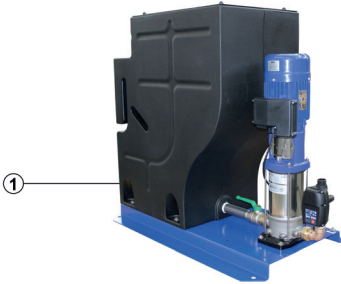


Fig. 27 Öppna avtappningspluggen

Exempel CBU142

- | | |
|---|------------------|
| 1 | Avtappningsplugg |
|---|------------------|

7 Drift



VAR FÖRSIKTIG!

Felhantering

Risk för pumpsystemskador!

- Se till så att alla lokala krav är uppfyllda, särskilt maskin- och lågspänningsdirektiven.
- Kontrollera kabeldragningen före uppstart.

7.1 Pumpstyrning

Version utan hastighetsreglering:



Fig. 28 Pumpstyrning (extern)

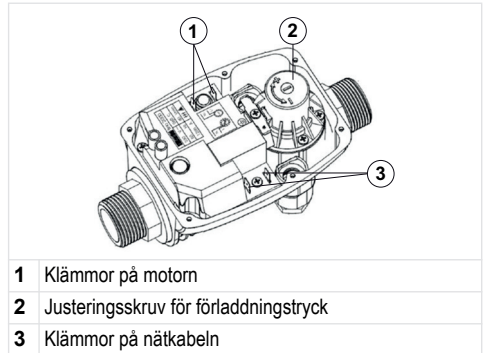


Fig. 29 Pumpstyrning (intern)

Version med hastighetsreglering:



Det finns en app för specialutbildad personal för att ansluta till drivenheten. Denna app kan köpas i Google Playstore eller iOS Appstore.

Frekvensomriktaren är motormonterad och självkylande. Den är utrustad med följande indikatorer:

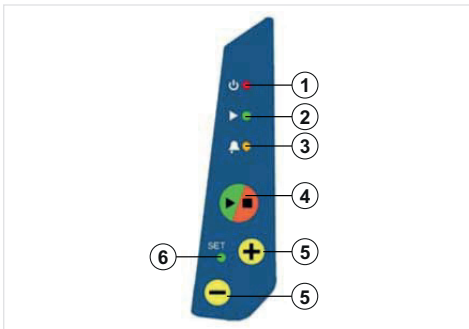


Fig. 30 Display

- 1 Den röda standby-LED:n tänds när drivenheten försörjs med ström.
- 2 Den gröna drift-LED:n blinkar med varierande frekvens. Ju närmare det uppmätta trycket ligger börstrycket, desto högre är frekvensen.
- 3 Gul larm-LED
- 4 Med start/stopp-knappen startas pumpenheten.
- 5 Knapp +/- för att ställa in trycket Knapp +/- i manuellt läge för att ställa in motorvarvtalet.
- 6 Den gröna SET-LED:n blinkar när pumpenheten är klar för låget konstant tryck.

7.2 Funktioner och egenskaper

7.2.1 Version utan hastighetsreglering

Ändra tillslagstryck

Tillslagstrycket går att justera i intervallet 2 till 3,5 bar

1. Lossa höjesskruvarna med lämpligt verktyg och ta bort höljet.
2. Vrid på ställskruvarna och ställ in det tillslagstryck du vill ha.
3. Sätt tillbaka höljet och dra åt skruvarna för hand.

Återställ felmeddelanden

Den röda lampan tänds vid vattenavbrott eller felfunktion.

Felorsaken är identifierad och åtgärdad.

1. Tryck på återställningsknappen i ca 3 sekunder.

7.2.2 Version med hastighetsreglering



Drivenheten är förkonfigurerad på fabriken.

Modell	$V_{\text{på}}$	$\text{max. } V_{\text{av}}$	$\text{max. } I_{\text{på}}$	$\text{max. } I_{\text{av}}$	Motoreffekt P_2
	V AC	V	A	A	
MIDA 205	1~230 +/-15 %	3~230	8	5	1,1

Pumpenheten är korrekt påslagen

1. Öppna lätt ventilen i trycklinjen
2. Om frekvensomriktarens SET-LED blinkar, tryck på knappen +/- tills SET-LED:n lyser med fast sken
3. Tryck på (+) för att öka inkopplingstrycket, tryck på (-) för att sänka inkopplingstrycket
 - Inställningen accepteras automatiskt efter 3 sekunder

8 Underhåll

8.1 Allmän information/ säkerhetsföreskrifter



LIVSFARLIG SPÄNNING

Oavsiktligt tillslag av kompaktboostern

Livs fara!

- ▶ Kompaktboostern måste vara spänningslös vid alla reparations- och underhållsarbeten. (Dra ut kontakten ur eluttaget)
- ▶ Säkra mot återstart.



VARNING!

Olämpliga lyft/förflyttningar av tunga moduler och komponenter

Risk för person- eller saksador!

- ▶ Använd lämpliga transport-/lyftanordningar och lyftdon vid förflyttning av tunga moduler och komponenter.



VAR FÖRSIKTIG!

Risk om obehöriga jobbar på kompaktboostern

Risk för personsador!

- ▶ Låt bara specialutbildad personal göra reparations- och underhållsarbeten.



VAR FÖRSIKTIG!

Felaktigt underhållen kompaktbooster

kan medföra att den inte fungerar som den avser att fungera!

- ▶ Underhåll kompaktboostern regelbundet.
- ▶ Sätt ihop ett underhållsschema för kompaktboostern med särskild inriktning på pumpsmörjning, axeltätning och koppling.

Det är bara rätt utbildad och behörig personal som får montera, idriftta, underhålla och stänga av kompaktboostern.

- Följ alltid alla säkerhetsföreskrifter och -anvisningar.
- Följ arbetsanvisningarna på pumparna.
- Kontakta vår serviceavdelning vid skador.
- Sätter du ihop ett underhållsschema, så minimerar du kostnaderna för nödvändigt underhåll för att undvika dyra reparationer och för att ge kompaktboostern felfri och tillförlitlig funktion.
- Använd inte våld vid demontering och montering.
- Kompaktboostern medför ingen biologisk risk vid normaldrift.
- Risker kan leda till mikrobiologisk kontaminering.
- Rengör bufferttanken regelbundet med rent kranvatten!

8.2 Underhåll

8.2.1 Driftövervakning



VAR FÖRSIKTIG!

Torrkörning ger ökad förslitning

Risk för pumpskador!

- ▶ Använd aldrig pumpen när den är tom.
- ▶ Stäng aldrig avstängningsventilen på sugledning och/eller matarledning vid drift.



VAR FÖRSIKTIG!

Överskrider tillåten temperatur för pumpmediet

Risk för pumpskador!

- ▶ Drift med långvarigt stängda avstängningsventiler är inte tillåten (överhettning av pumpmediet).
- ▶ Håll de angivna temperaturvärden i tekniska data på databladet.

Håll koll på och kontrollera följande punkter vid drift:

- Jämför membrantryckkärlets försladdningstryck med de rekommenderade värdena.
 - Kontrollera ljudet av rullagren vid drift.
- Vibrationer, missljud och ökad effektförbrukning vid konstanta driftförhållanden är tecken på förslitning.
- Funktionskontrollera övriga anslutningar, om det finns sådana.

8.2.2 Underhållsschema

Intervall	Mät
Minst en gång per år	Pump och drivmotor ska köra jämnt, glidringstätningarna ska inte läcka
	Kontrollera att avstängnings-, avtappnings- och kontrollventilerna fungerar korrekt och inte läcker.
	Filter i tryckreduceringsventilen, om tillämpligt
	Kontrollera kompensatorer för slitage (om tillämpligt).
	Kontrollera förladdningstrycket och kontrollera, vid behov, om membrantryckkärlet läcker.
	Kontrollera automatisk koppling.
	Kontrollera systemets till- och frånslägningspunkter.
	Kontrollera vattentillförseln, förladdningsrycket, vattenavbrottsövervakningen och tryckreducerventilen.
	Kontrollera om överflödet är öppet och rent.

8.2.3 Ställ in förtryck



FARA!

Påfyllning av fel gas i expansionskärlet

Förgiftningsrisk!

- ▶ Fyll alltid tryckkudden med kväve.



VAR FÖRSIKTIG!

För högt förtryck

Risk för tankskador!

- ▶ Håll de värden som tillverkaren angett på tanken (se typskylten eller tankens bruksanvisning).

Tryckkärlets förtryck måste vara inställt lägre än det programmerade tillslagstrycket.

Exempel: ställ in förtryck 10% under tillslagstrycket

Membrantryckkärlets förtryck $p = 0,9 \times p_E$

p_E = tillslagningstryck för kompaktboostern

Rekommendation

Det här är medelvärden. Experiment utförda på tankar har visat att man uppnår bäst lagringsvolym vid tryck > 3 bar med en faktor på 0,9 och vid tryck < 3 bar med en faktor på 0,8.

Exempel:

$p_E = 5$ bar: förtryck $5 \times 0,9 = 4,5$ bar

$p_E = 2$ bar: förtryck $2 \times 0,8 = 1,6$ bar

Kontrollera förtryck:

1. Stäng avstängningsventilen under membrantryckkärlet.
2. Töm membrantryckkärlet via dräneringsventilen.
3. Skruva av ventilens skyddshätta på membrantryckkärlet och spara den.
4. Kontrollera förladdningstrycket med lämpligt instrument (t.ex. däcktrycksmätare).
5. Sätt på ventilens skyddshätta på membrantryckkärlet.

Fyll membrantryckkärlet

- Skruva av ventilens skyddshätta på membrantryckkärlet och spara den.
- Fyll på luft via ventilen.
- Sätt på ventilens skyddshätta på membrantryckkärlet.

8.3 Byt ställdon

1. Dra ut kontakten ur uttaget
2. Rören behöver dräneras
3. Stäng kulventilen
4. Lossa förgreningen som inte går från ställdonet
5. Byt ställdon
6. Fyll upp rören
7. Sätt kontakten i uttaget
8. Tryck på ställdonets återställningsknapp

9 Felsökning



VARNING!

Felaktig felsökning

Risk för personskador!

- ▶ Följ de relevanta anvisningarna i bruksanvisningen och/eller tillverkarens dokumentation



Vår serviceavdelning hjälper gärna till. Finns ingen överensstämmelse, så gäller inte produktansvaret.

A	Kompaktboostern stängs av
B	Tryckvariation på trycksidan
C	Kompaktboostern startar inte.
D	Pumpen är igång men pumpar inte vatten.
E	Kompaktboostern pumpar för lite
F	Trycket på trycksidan är för lågt
G	Trycket på trycksidan för högt
H	Den mekaniska tätningen läcker
I	Överhettning av motorn/pumpen.
J	Motorskyddsbrytaren har aktiverats.
K	Kompaktboostern stängs inte av
L	Kompaktboostern startar och stänger av för ofta
M	Överhettning av motorn/pumpen.

A	B	C	D	E	F	G	H	I	J	K	L	M	Orsak	Åtgärd
x	-	x	-	-	-	-	-	-	-	-	-	-	Torrkörmingskyddet har inte anslutits	Anslut eller bypass
x	-	x	-	-	-	-	-	-	-	-	-	-	Huvudströmförsörjningen har brutits	Kontrollera eller eliminera defekten
x	-	x	-	-	-	-	-	-	-	-	-	-	Kontrollsäkring har löst ut	Kontrollera och byt vid behov
-	x	x	x	x	x	-	-	x	-	-	x	x	Avstängningsventiler är endast delvist öppna eller inte alla	Kontrollera och öppna vid behov
-	-	-	x	x	-	-	-	x	-	x	-	x	Pump eller rörledning är inte ordentligt avluftad eller påfylld	Avlufta eller fyll på
-	-	-	-	-	x	-	-	x	x	-	-	x	Pumpen går trögt	Pumpen måste repareras av en specialist
-	-	-	-	-	-	-	x	-	-	-	-	-	Mekanisk tätning är defekt	Byt den mekaniska tätningen
-	-	x	-	-	-	-	-	x	-	-	-	x	Inloppstrycket till tryckkärlet är inte korrekt	Ställ in inloppstrycket, byt tryckbubbla
-	-	-	-	-	-	-	-	-	-	-	x	-	Systemet läcker	Täta systemet
-	-	-	x	-	-	-	-	-	x	x	-	x	Kontrollventilen i kompaktboostern är defekt	Kontrollera och byt vid behov
-	-	-	x	-	x	-	-	-	-	x	x	-	Formen är lägre än vad som anges i orderdata	Anslut tanken
-	x	-	-	-	x	-	-	-	x	x	-	-	Vattennuttaget är högre än vad som angetts i orderdata.	Förfrågan måste göras

10 Reservdelar

För reservdelar, gå in på homecomfort.resideo.com/europe

11 Intyg om att det inte föreligger några invändningar

Typ

Beställningsnummer/Artikelnummer ³⁾ _____

Leveransdatum _____

Användningsområde _____

Pumpmedium³⁾ _____

Markera om tillämpligt³⁾:



korrosiv



oxiderande



brandfarligt



explosivt



skadligt för hälsan



skadligt för hälsan



giftigt



radioaktivt



farligt för miljön

ofarligt

Anledning till returen³⁾ _____

Noteringar: _____

Systemet/tillbehören måste tömmas noga och rengöras såväl på utsidan som insidan.

- Det krävs inga särskilda säkerhetsåtgärder för fortsatt hantering.
- Följande säkerhetsåtgärder gällande spolmedium, restvätskor och deras avfallshantering måste utföras:

Vi säkerställer att ovanstående information är korrekt och fullständig och leveransen kommer att göras enligt lagstadgade bestämmelser.

Ort, datum och signatur

Adress

Företagsstämpel

12 Upstartprotokoll

Följande "Resideo Compact Booster Unit" togs i drift idag av undertecknad, auktoriserad Resideo-servicepersonal som upprättade det här protokollet

Kompaktbooster

Serie

Storlek

Serienummer

Ordernummer

Kund/drifställe

Kund

Driftsplats

Namn

Adress

För driftinfo, se krettschemat för ytterligare info

Tillslagsningstryck

pE bar

Övervakning av förladdningstrycket

pfore - X

Inställningsvärde för

förladdningstryckbrytaren

Frånslagsningstryck

pA bar

Förtryck

pfore bar

Förtryck tank

pfore bar

Driftansvarigt företag eller deras kund intygar att de är fullt utbildade för drift och underhåll av kompaktboostern.

Eventuella störningar som uppstod vid uppstart

Defekt 1

Schemalagd åtgärd

Resideo-kundens namn

Leverantörens och entreprenörens namn

Ort

Datum



resideo

Manufactured for
and on behalf of

Pittway Sàrl, Z.A., La Pièce 4,
1180 Rolle, Switzerland

For more information
homecomfort.resideo.com/europe

Ademco 1 GmbH, Hardhofweg 40,
74821 MOSBACH, GERMANY

Phone: +49 6261 810

Fax: +49 6261 81309

GB

1	Safety Guidelines	2
2	General information	3
3	Transportation and Storage	4
4	Description	5
5	Installation Guidelines	8
6	Commissioning/Decommissioning	9
7	Operation	11
8	Maintenance	13
9	Troubleshooting	15
10	Spare Parts	15
11	Declaration of no objection	16
12	Start-up protocol	17

D

1	Sicherheitshinweise	18
2	Allgemeine Informationen	19
3	Transport und Lagerung	20
4	Bezeichnung	21
5	Einbauhinweise	24
6	Inbetriebnahme / Außerbetriebnahme	25
7	Betrieb	27
8	Instandhaltung	29
9	Fehlersuche	31
10	Ersatzteile	31
11	Unbedenklichkeitserklärung	34
12	Inbetriebnahmeprotokoll	33

DA

1	Sikkerhedsanvisning	34
2	Generelle oplysninger	35
3	Transport og opbevaring	36
4	Beskrivelse	37
5	Installationsvejledning	40
6	Ibrugtagning/nedlukning	41
7	Drift	43
8	Vedligeholdelse	45
9	Fejlfinding	47
10	Reserve dele	47
11	Erklæring om ikke-indsigelse	48
12	Opstartsprotokol	49

NO

1	Sikkerhetsregler	50
2	Generell informasjon	51
3	Transport og lagring	52
4	Beskrivelse	53
5	Retningslinjer for installasjon	56
6	Igangkjøring/driftstans	57
7	Drift	59
8	Vedlikehold	61
9	Feilsøking	63
10	Reservedeler	63
11	Ubetenkelighetserklæring	67
12	Oppstartsprotokoll	65

SV

1	Säkerhetsanvisningar	66
2	Allmän information	67
3	Transport och förvaring	67
4	Beskrivning	69
5	Installationsanvisningar	72
6	Idrifttagning/urdrifttagning	73
7	Drift	75
8	Underhåll	77
9	Felsökning	79
10	Reservdelar	79
11	Intyg om att det inte föreligger några invändningar	80
12	Upstartprotokoll	81