

DB-CO | D-SetCO



i GS818**A** 95 mm**B** 95 mm**C** 25 mm**D** 96 mm**E** 146 mm**F** 53 mm


 NO: 10A | NC: 5A
 NO: 250V AC / 28V DC
 NC: 250V AC


 345 g


 Type A (with D-CO, CO-M)

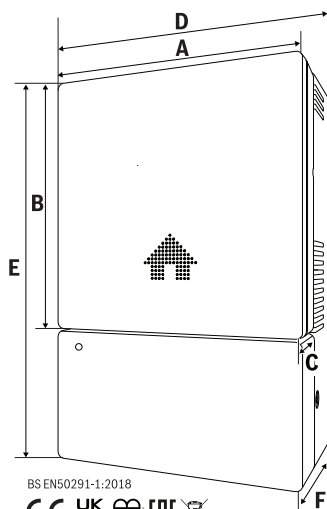
 10 y

 -10 ... 45 °C

 25 ... 95 RH%

 ~230VAC, 40 mA
 50 Hz, 0.8W

 ≥85 dB@3m



BS EN50291-1:2018



KMS10630

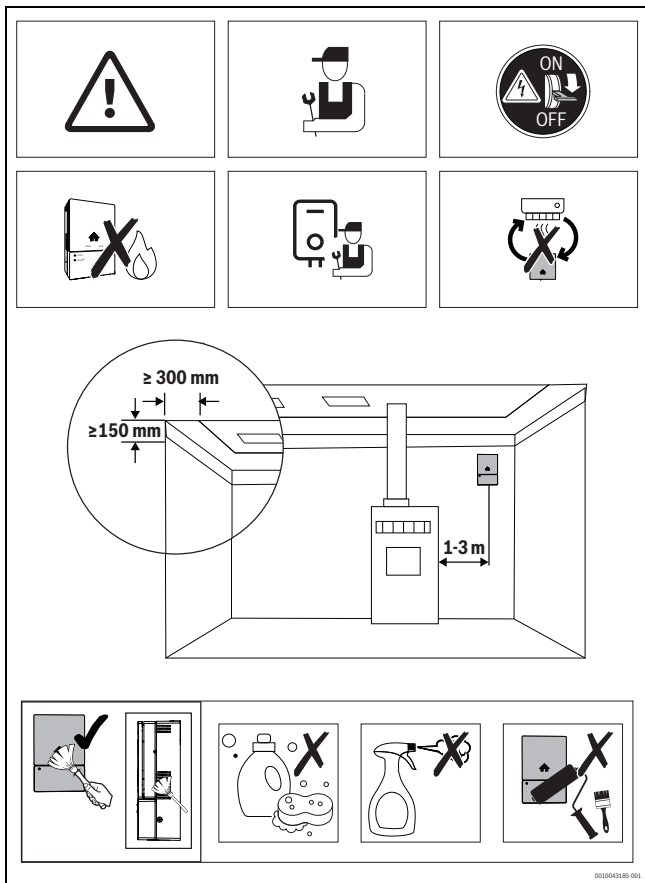
**i****Power****Status****ALARM**

-TOWER FAULT

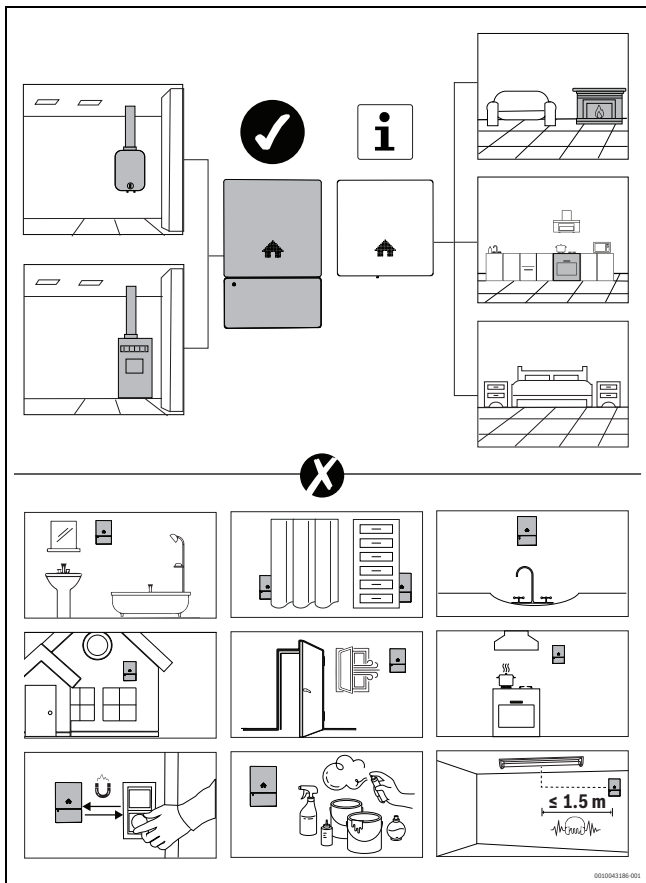
-BATTERY

Alarm**Fault**

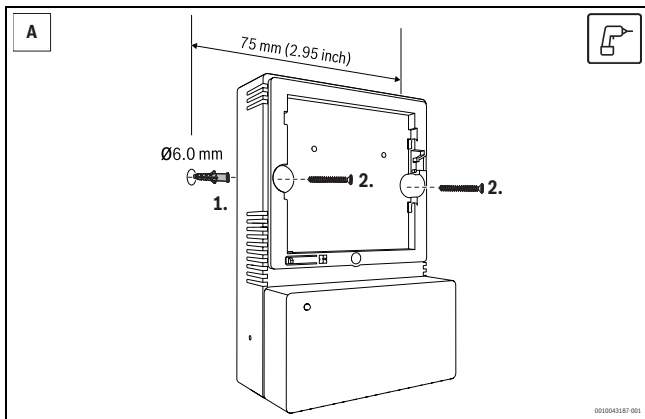
0010043184-002



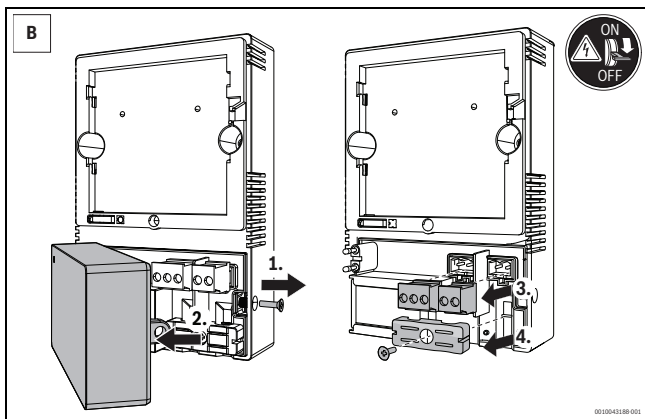
0010043185-001



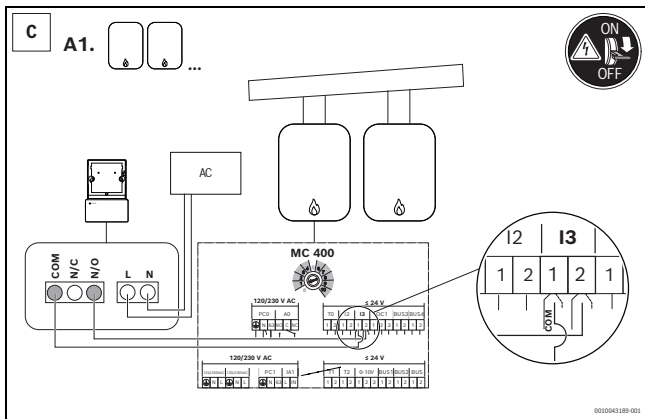
0010043186-001



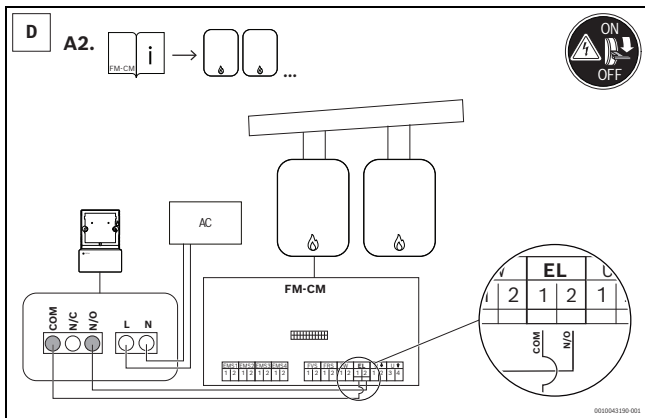
4



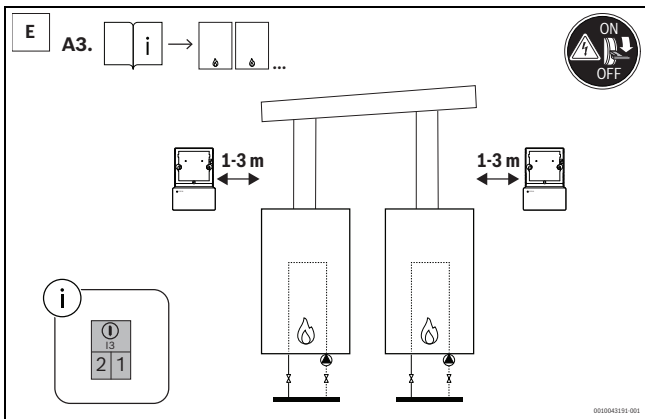
5



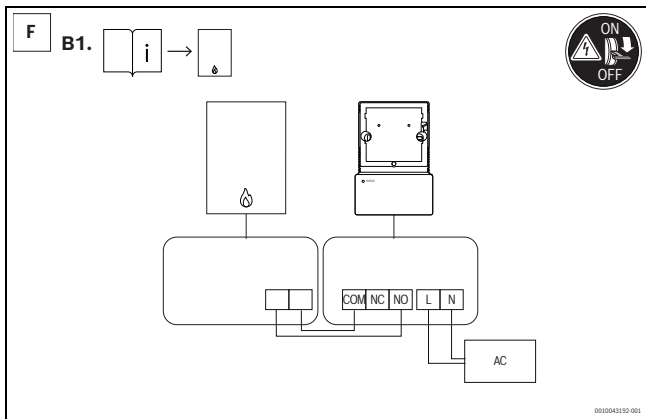
6



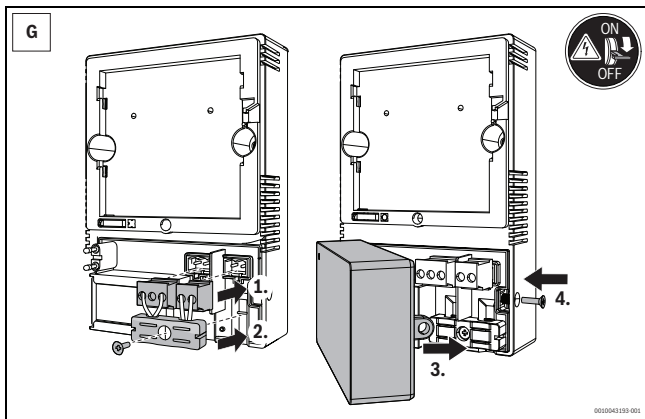
7



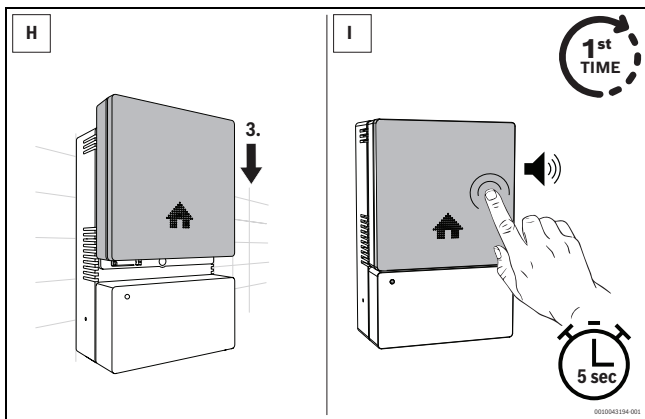
8



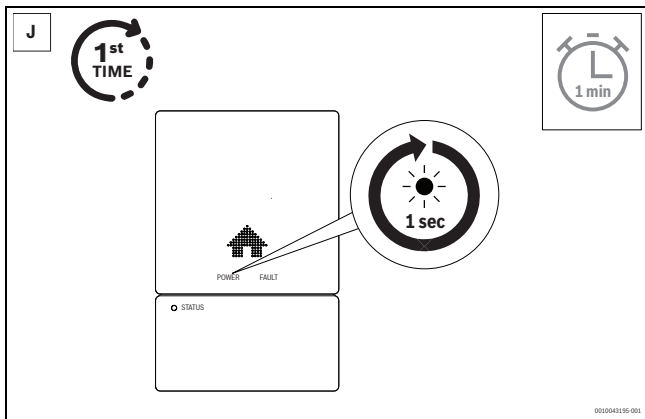
9



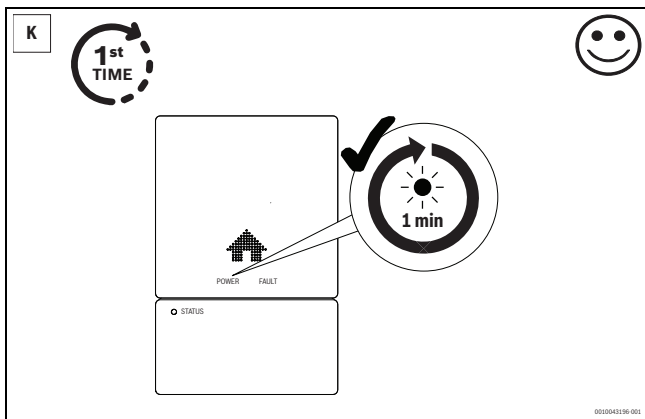
10



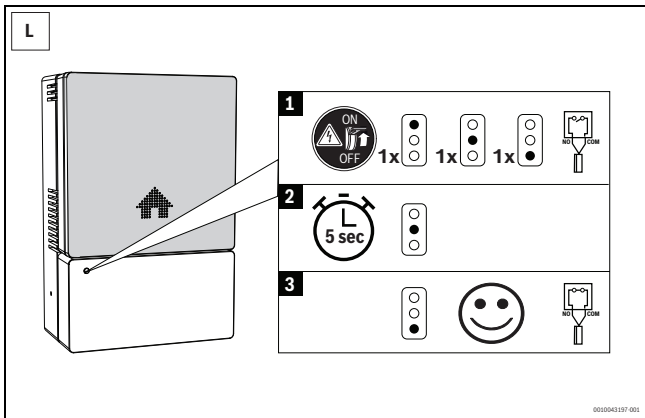
11



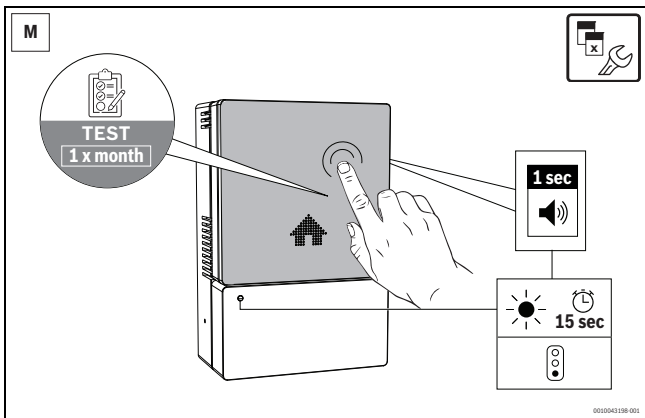
12



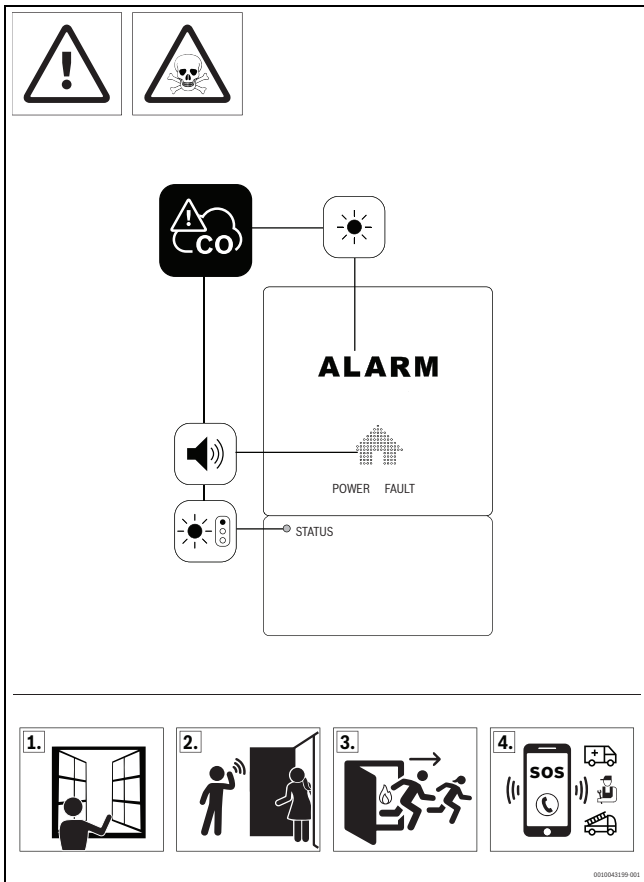
13



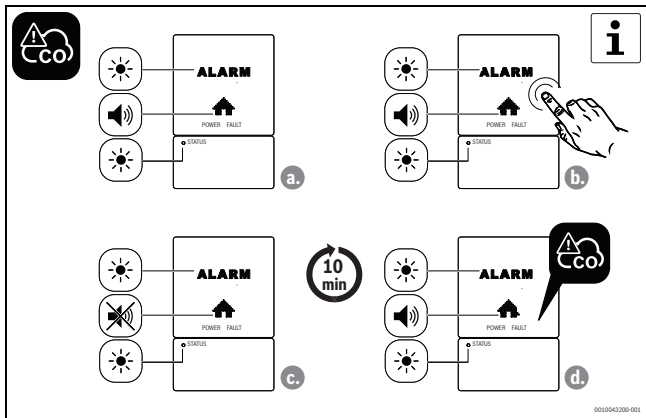
14



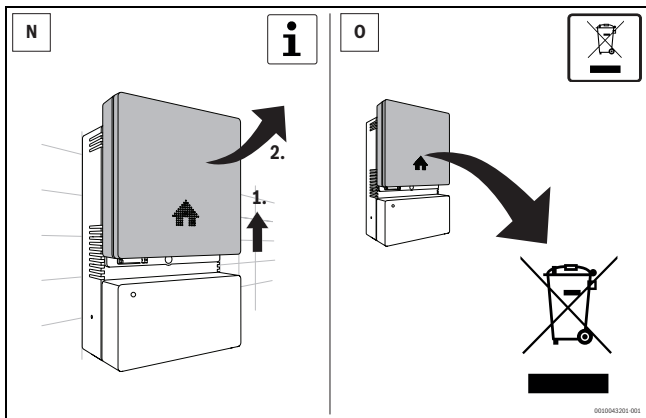
15



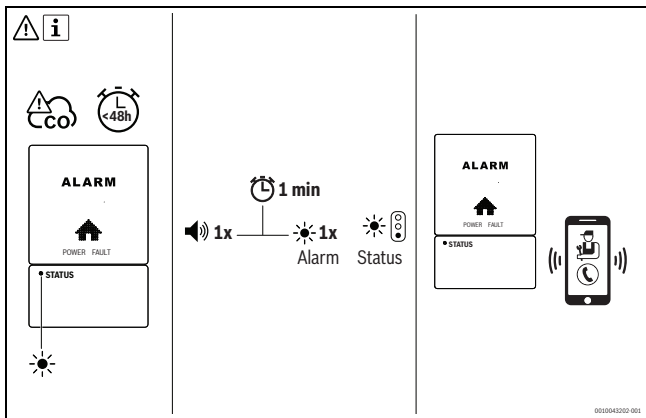
0010043139-001



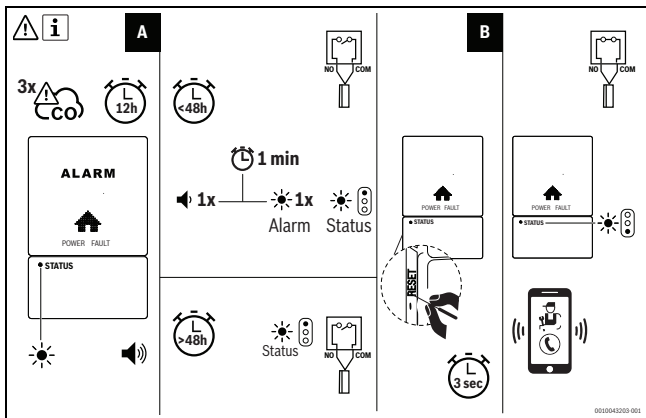
17



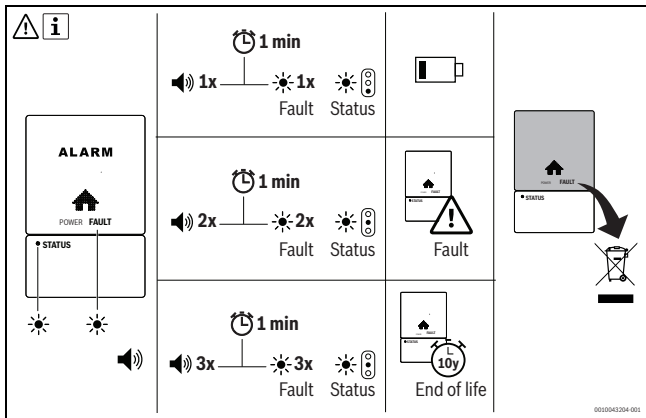
18



19



20



21



Original Quality by
Bosch Thermotechnik GmbH
Sophienstraße 30-32
D-35576 Wetzlar/Germany

Importer

Bosch Thermotechnology Ltd.
Cotswold Way, Warndon
Worcester WR4 9SW
United Kingdom