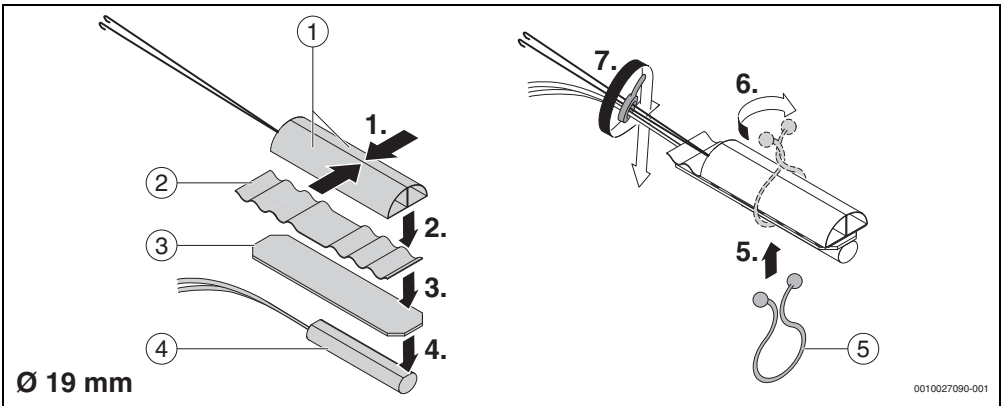
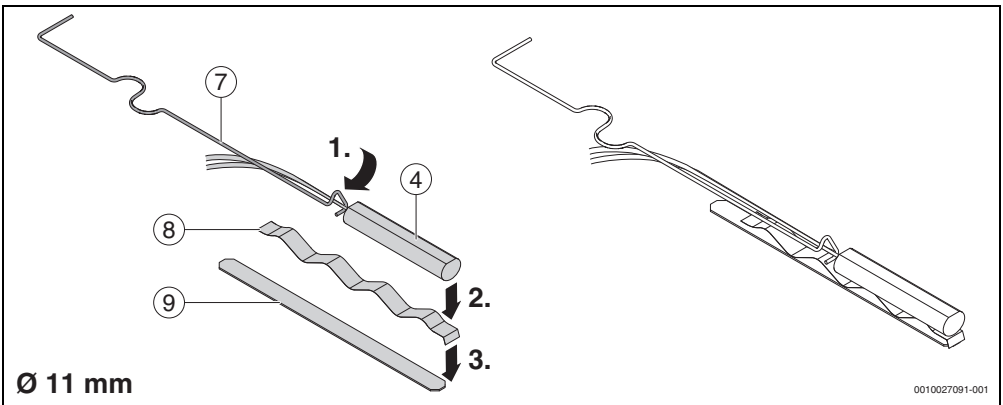


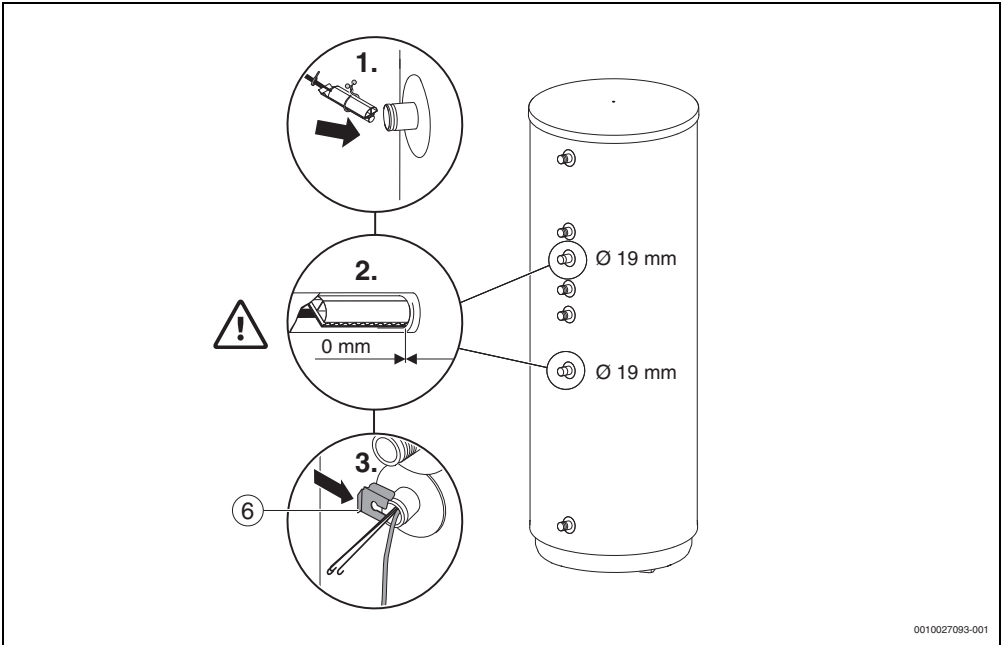
1



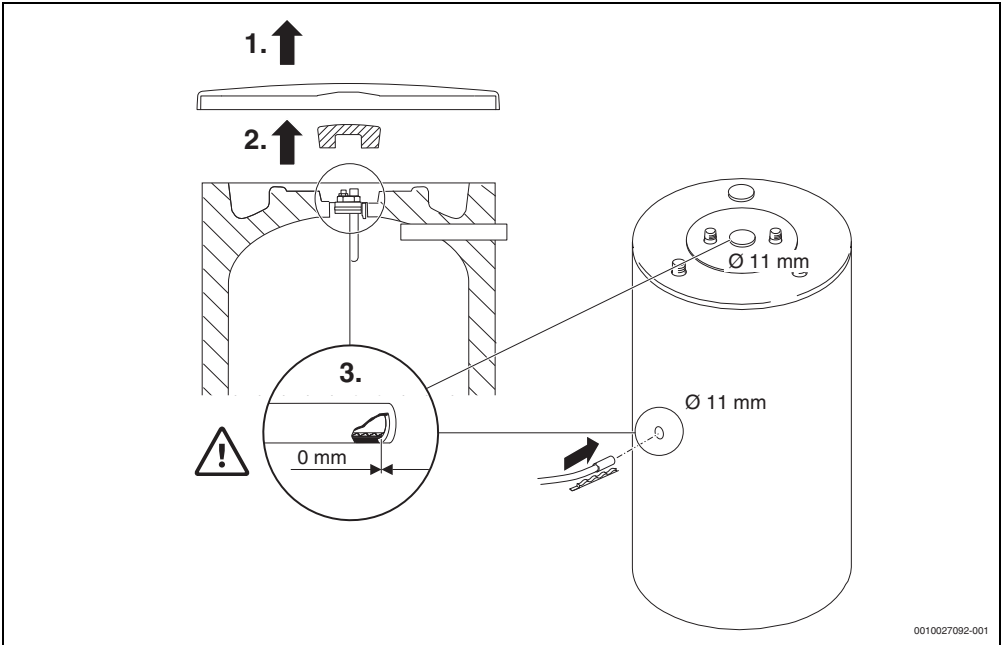
2



3



4



5

[en] Important notes on installation/assembly

The installation/assembly must be carried out by a contractor who is authorised to do the work, following these instructions and with due regard to the relevant regulations. Noncompliance with specifications can result in material damage and/or personal injury, the latter of which may even be fatal.

- ▶ Check that the contents of the delivery are undamaged. Only fit parts which are in a faultless condition.
- ▶ Observe all the relevant instructions for other system components, accessories and spare parts.
- ▶ Before starting any work: disconnect the system from the power supply across all phases.

Old electrical and electronic appliances



This symbol means that the product must not be disposed of with other waste, and instead must be taken to the waste collection points for treatment, collection, recycling and disposal.

The symbol is valid in countries where waste electrical and electronic equipment regulations apply, e.g. "(UK) Waste Electrical and Electronic Equipment Regulations 2013 (as amended)". These regulations define the framework for the return and recycling of old electronic appliances that apply in each country.

As electronic devices may contain hazardous substances, it needs to be recycled responsibly in order to minimize any potential harm to the environment and human health. Furthermore, recycling of electronic scrap helps preserve natural resources.

For additional information on the environmentally compatible disposal of old electrical and electronic appliances, please contact the relevant local authorities, your household waste disposal service or the retailer where you purchased the product.

You can find more information here:
www.weee.bosch-thermotechnologie.com/

1 GB Importer

Bosch Thermotechnologie Ltd.
Cotswold Way, Warndon
Worcester WR4 9SW / UK

2 Declaration of Conformity

The design and operating characteristics of this product comply with the British, European and supplementary national requirements.



The UKCA and CE markings declare that the product complies with all the applicable British and European legislation, which is stipulated by attaching these markings.

You can request the complete text of the Declaration of Conformity from the UK address indicated in this document.

3 Simplified UK/EU Declaration of conformity regarding radio equipment

Bosch Thermotechnik GmbH hereby declares, that the product described in these instructions complies with the Directive UK S.I. 2017/1206 (UK) 2014/53/EU.

You can request the complete text of the UK/EU Declaration of Conformity from the UK address indicated in this document.

4 Regulations

In order to ensure installation and operation of the product in accordance with the regulations, please observe all the applicable national and regional regulations as well as all technical rules and guidelines.

You can find a list of the most relevant British and European directives and regulations in the table below.

EU legislation	UK legislation
Electromagnetic Compatibility - Directive 2014/30/EU	Electromagnetic Compatibility Regulations 2016
Low Voltage Directive 2014/35	Electrical Equipment (Safety) Regulations 2016
Radio Equipment - Directive 2014/53/EU	Radio Equipment Regulations 2017
Pressure Equipment - Directive 2014/68/EU	Pressure Equipment (Safety) Regulations 2016
Gas Appliances - Regulation (EU) 2016/426	Regulation 2016/426 on gas appliances as brought into UK law and amended
Machinery Directive 2006/42/EC	Supply of Machinery (Safety) Regulations 2008
Ecodesign Directive 2009/125/EC	The Ecodesign for Energy-Related Products Regulations 2010
Energy Labelling Regulation (EU) 2017/1369	Energy Labelling Regulation (EU) 2017/1369 (as retained in UK law and amended)
Restriction of the Use of certain Hazardous Substances in Electrical and Electronic Equipment (RoHS) - Directive 2002/95/EC	The Restriction of the Use of Certain Hazardous Substances in Electrical and Electronic Equipment Regulations 2012
European Directive 2012/19/EC on old electronic and electrical appliances	(UK) Waste Electrical and Electronic Equipment Regulations 2013 (as amended)

Table 1



We, **Bosch Thermotechnology Ltd., Cotswold Way, Warndon, Worcester WR4 9SW, United Kingdom** process product and installation information, technical and connection data, communication data,

product registration and client history data to provide product functionality (art. 6 (1) sentence 1 (b) GDPR / UK GDPR), to fulfil our duty of product surveillance and for product safety and security reasons (art. 6 (1) sentence 1 (f) GDPR / UK GDPR), to safeguard our rights in connection with warranty and product registration questions (art. 6 (1) sentence 1 (f) GDPR / UK GDPR) and to analyze the distribution of our products and to provide individualized information and offers related to the product (art. 6 (1) sentence 1 (f) GDPR / UK GDPR). To provide services such as sales and marketing services, contract management, payment handling, programming, data hosting and hotline services we can commission and transfer data to external service providers and/or Bosch affiliated enterprises. In some cases, but only if appropriate data protection is ensured, personal data might be transferred to recipients located outside of the European Economic Area and the United Kingdom. Further information are provided on request. You can contact our Data Protection Officer under: Data Protection Officer, Information Security and Privacy (C/ISP), Robert Bosch GmbH, Postfach 30 02 20, 70442 Stuttgart, GERMANY.

You have the right to object, on grounds relating to your particular situation or where personal data are processed for direct marketing purposes, at any time to processing of your personal data which is based on art. 6 (1) sentence 1 (f) GDPR / UK GDPR. To exercise your rights, please contact us via **privacy.ttg@bosch.com** To find further information, please follow the QR-Code.



Original Quality by Bosch Thermotechnik GmbH
Sophienstrasse 30-32
35576 Wetzlar, Germany

GB importer: Bosch Thermotechnology Ltd.
Cotswold Way, Warndon
Worcester WR4 9SW, United Kingdom

