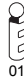
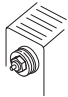



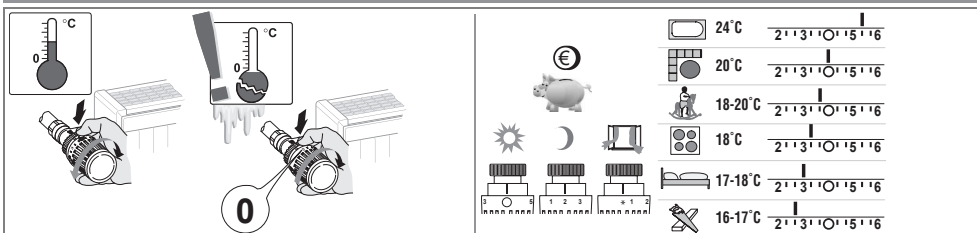
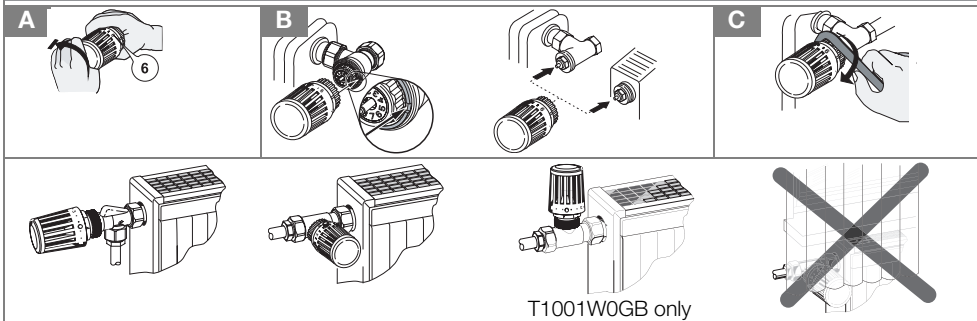


## T1000 Series Thera-100

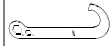


		EN215  011	0 - * - 6	* - 6		V2000	V117	V100
	T100M-364F	✓	✓		M30x1,5	✓	✓	
	T1002B3W0		✓		M30x1,5		✓	✓
	T1002B4W0		✓		M40x1,5			✓
	T104A1040		✓		M40x1,5			✓
	T1001W0GB	✓	✓		M30x1,5		✓	

	0	*	1	2	3	4	5	6
°C	1	6	11	14	17	20	23	26
°F	34	43	52	57	63	68	73	79



## T1000 SERIES



**VA8210A001**



**TA1010DA01**



**TA1010HZ01**



**TA6900A001**

### For more information

[homecomfort.resideo.com/europe](http://homecomfort.resideo.com/europe)



Ademco 1 GmbH  
Hardhofweg 40  
74821 MOSBACH  
GERMANY  
Phone: +49 6261 810  
Fax: +49 6261 81309

Manufactured for and on behalf of the  
Pittway Sàrl, La Pièce 4, 1180 Rolle, Switzerland  
by its Authorised Representative Ademco 1 GmbH  
MU2H-2018GE23 R0620  
Subject to change

© 2020 Pittway Sàrl. All rights reserved.  
This document contains proprietary information of  
Pittway Sàrl and its affiliated companies and is  
protected by copyright and other international  
laws. Reproduction or improper use without specific  
written authorisation of Pittway Sàrl is strictly  
forbidden. The Honeywell Home trademark is used  
under license from Honeywell International Inc.

**Honeywell Home**