

resideo

Braukmann

DH300

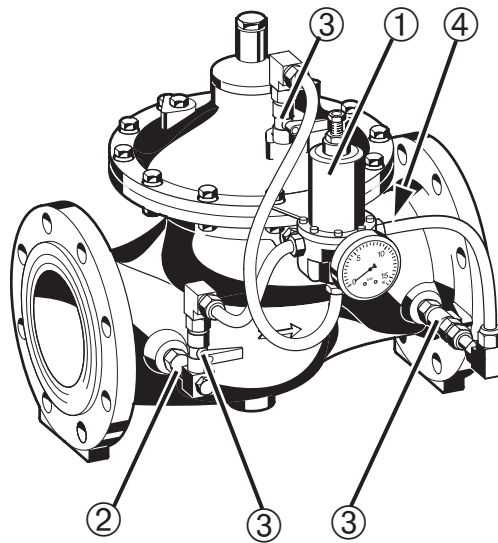
Einbauanleitung • Installation Instructions • Instructions de montage • Istruzioni di montaggio



E1

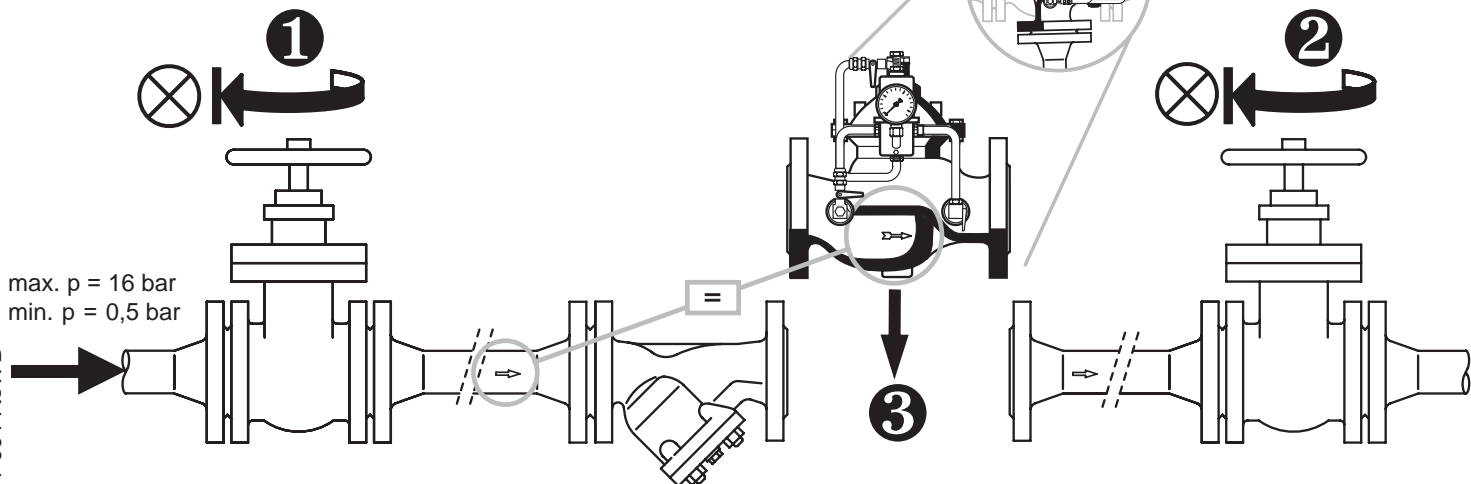
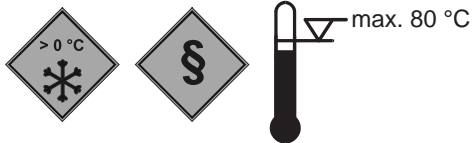
Bauteile • Components • Pièces • Componenti

- ① = Pilotventil
Pilot valve
Vanne pilote
Valvola pilota
- ② = Filtereinsatz
Filter insert
Garniture de filtration
Insero filtro
- ③ = Absperr-Kugelhahn
Manual ball valve
Clapet à bille
Valvola di intercettazione a sfera
- ④ = Regulierventil
Control valve
Valve de régulation
Valvola di regolazioe



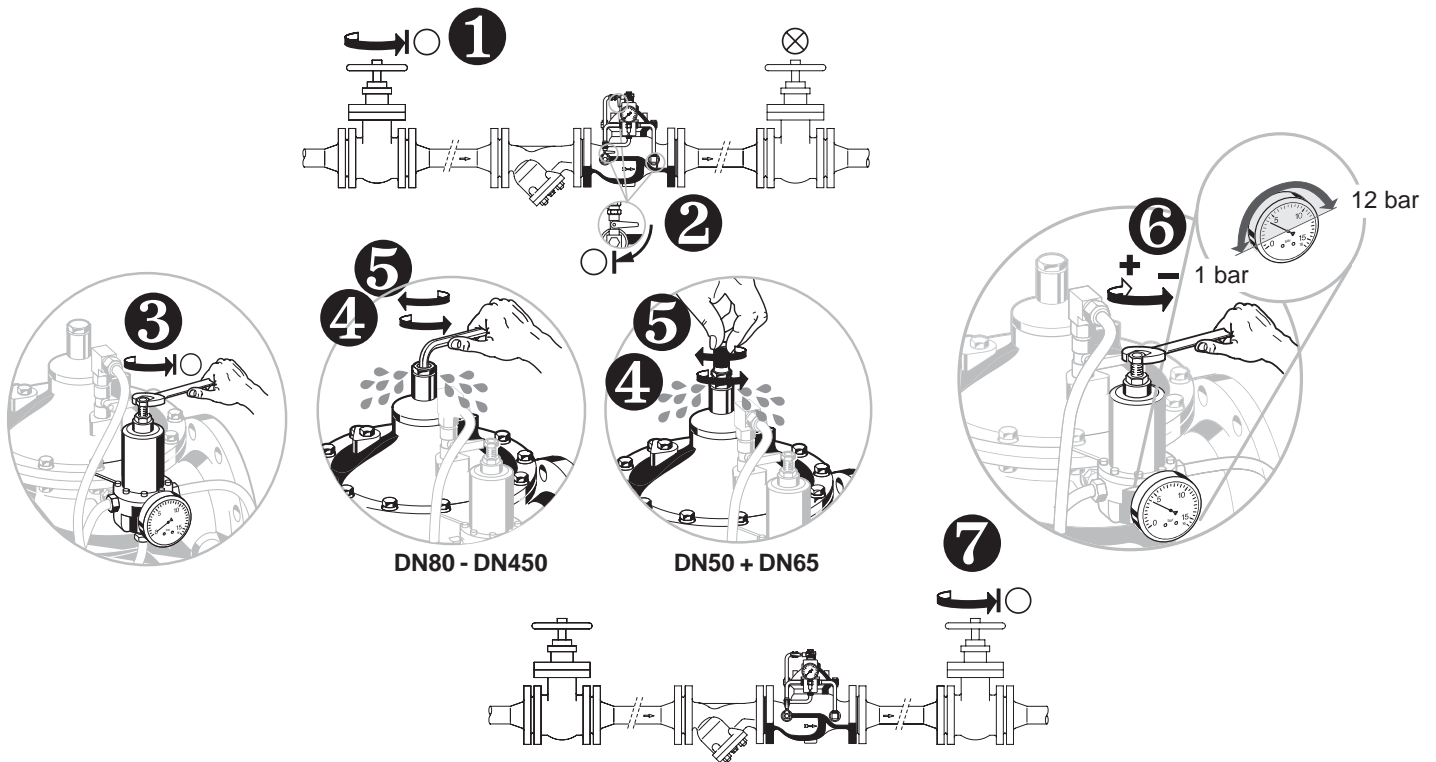
E2

Einbau • Installation • Installation • Installazione



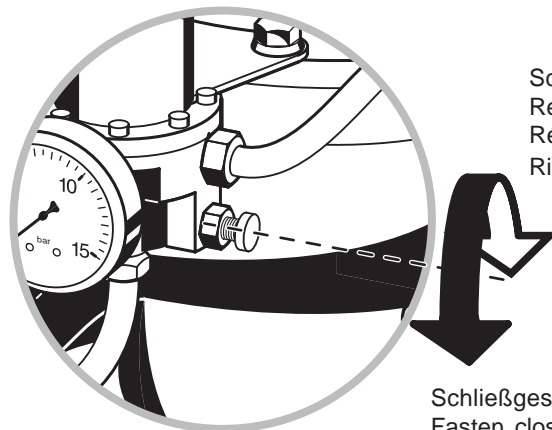
E3

Inbetriebnahme • Commissioning • Mise en service
Messa in servizio



E4

Schließgeschwindigkeit einstellen • Closure pace
adjustment • Réglage de la vitesse de fermeture
Regolazione della velocità di chiusura



Schließgeschwindigkeit verkleinern
Reduce closure pace
Réduire la vitesse de fermeture
Riduzione della velocità di chiusura

Schließgeschwindigkeit vergrößern
Fasten closure pace
Augmenter la vitesse de fermeture
Aumento della velocità di chiusura



Manufactured for
and on behalf of
Pittway 3 Sàrl, Z.A., La Pièce 4,
1180 Rolle, Switzerland

For more information
homecomfort.resideo.com/europe

Ademco 1 GmbH, Hardhofweg 40,
74821 MOSBACH, GERMANY

Phone: +49 6261 810
Fax: +49 6261 81309

This document contains
proprietary information
of Pittway Sàrl and its affiliated
companies and is protected by
copyright and other international
laws.

Reproduction or improper use
without specific written
authorization of Pittway Sàrl is
strictly forbidden.