

INSTALLATION MANUAL

MONTAGEANLEITUNG
INSTRUCTIONS DE MONTAGE
ISTRUZIONI PER IL MONTAGGIO

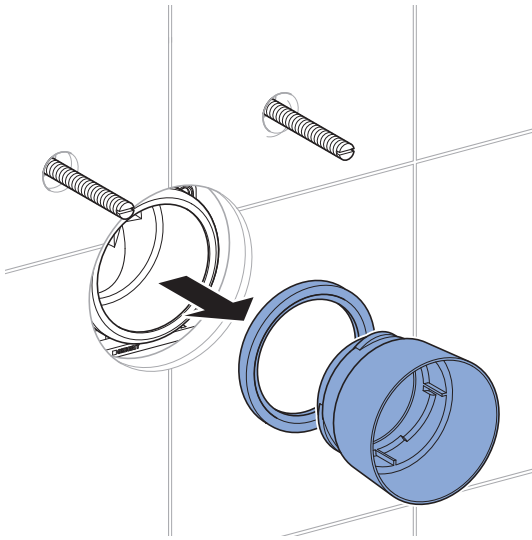


996.183.00.0(01)

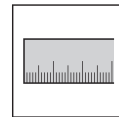
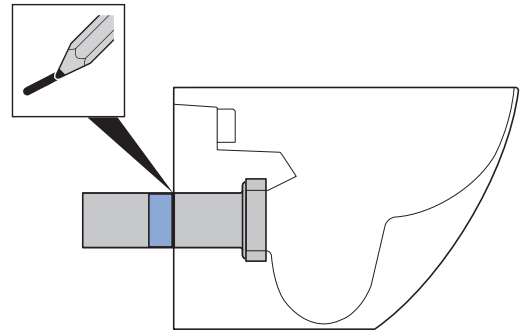
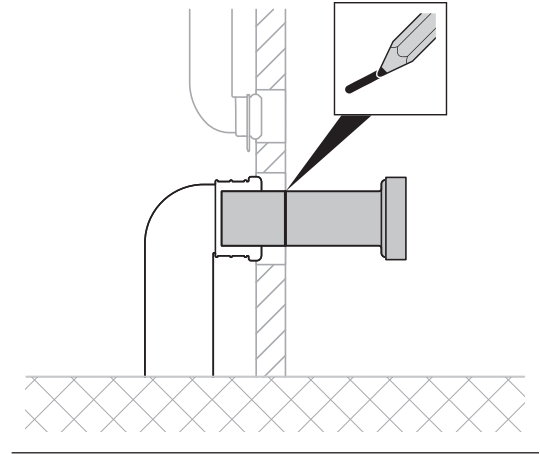
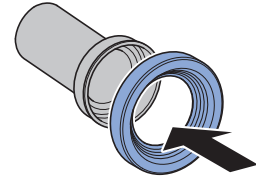




1

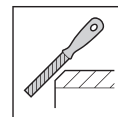
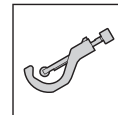


2

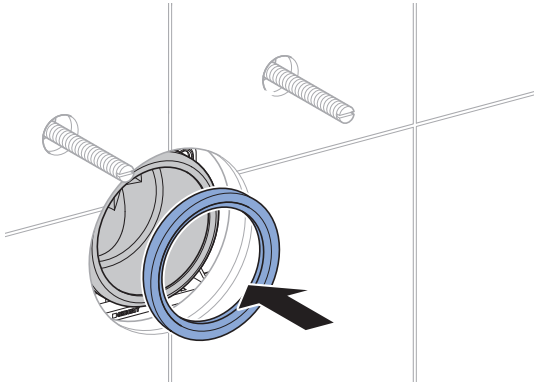


→ ← X

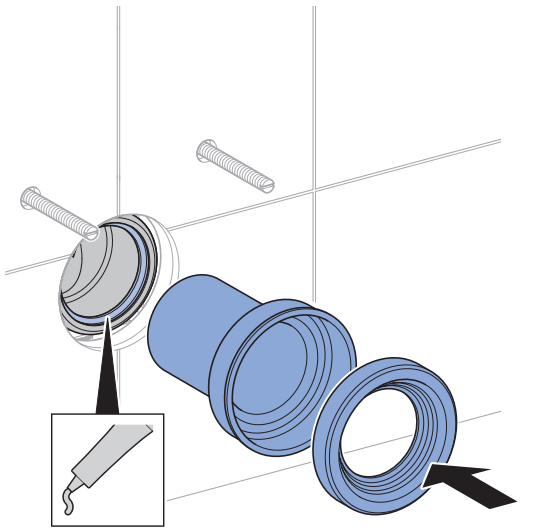
→ ← X + 3 mm



3

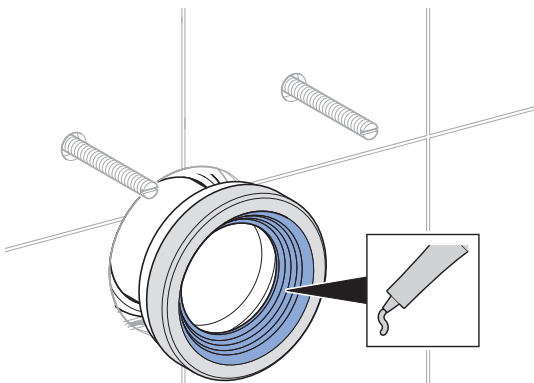


4

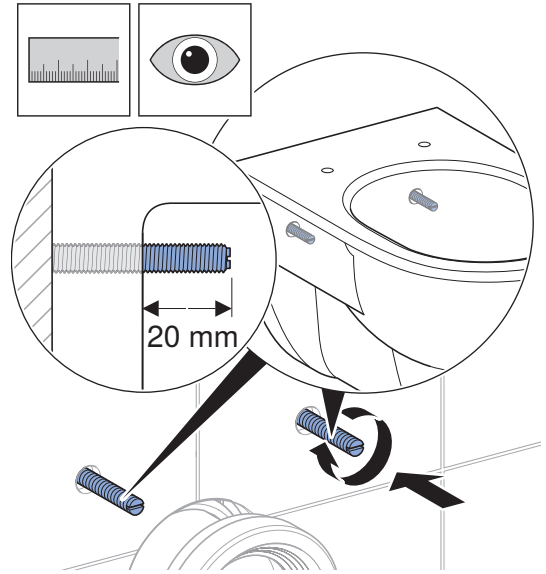


Installation
Manual

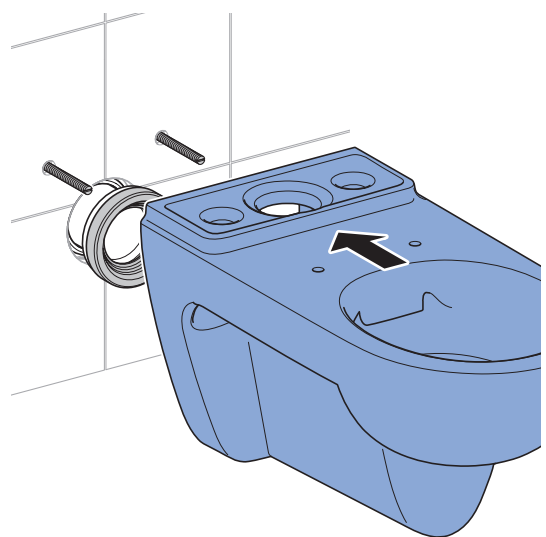
5



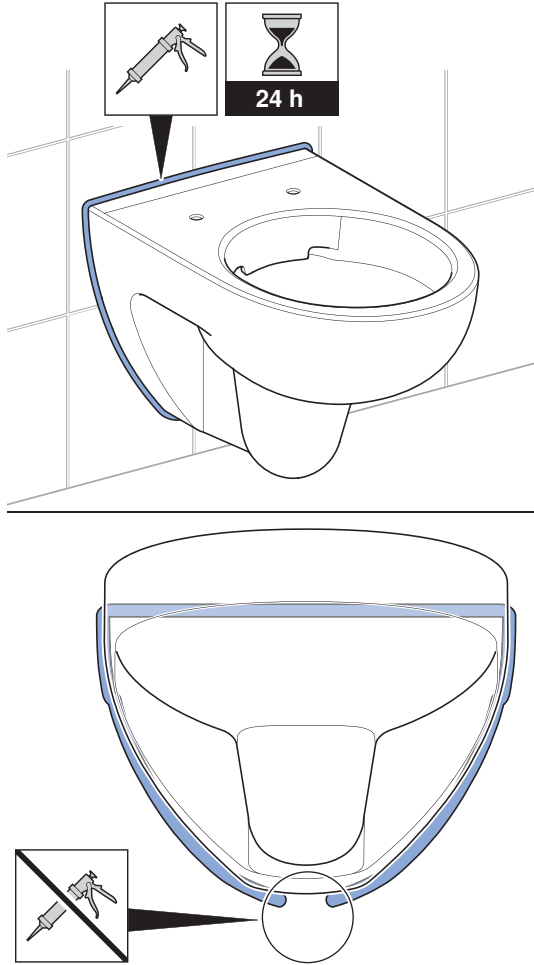
6



7



8



Geberit International AG
Schachenstrasse 77, CH-8645 Jona
documentation@geberit.com
www.geberit.com

