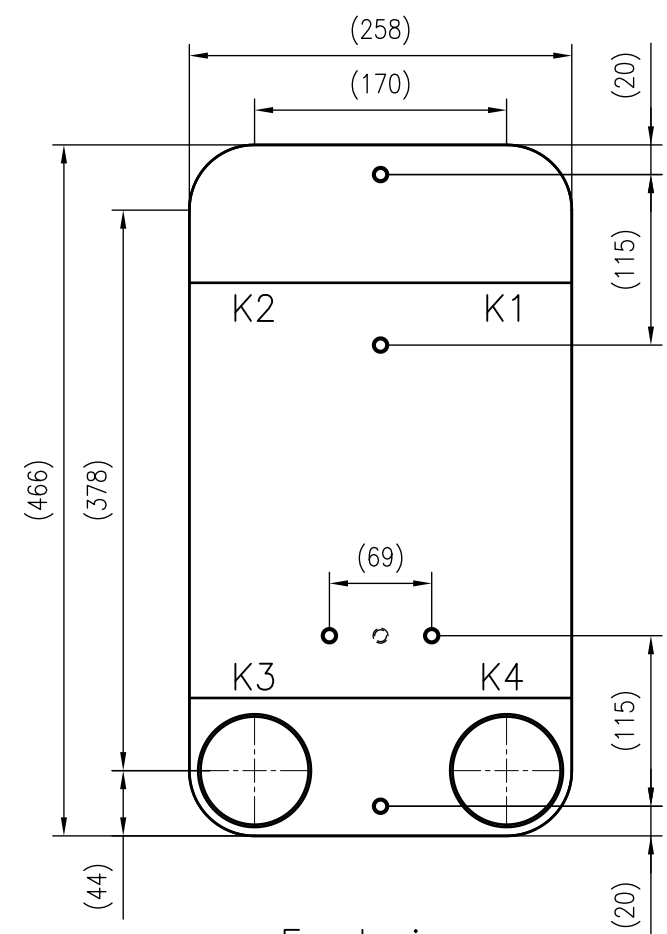
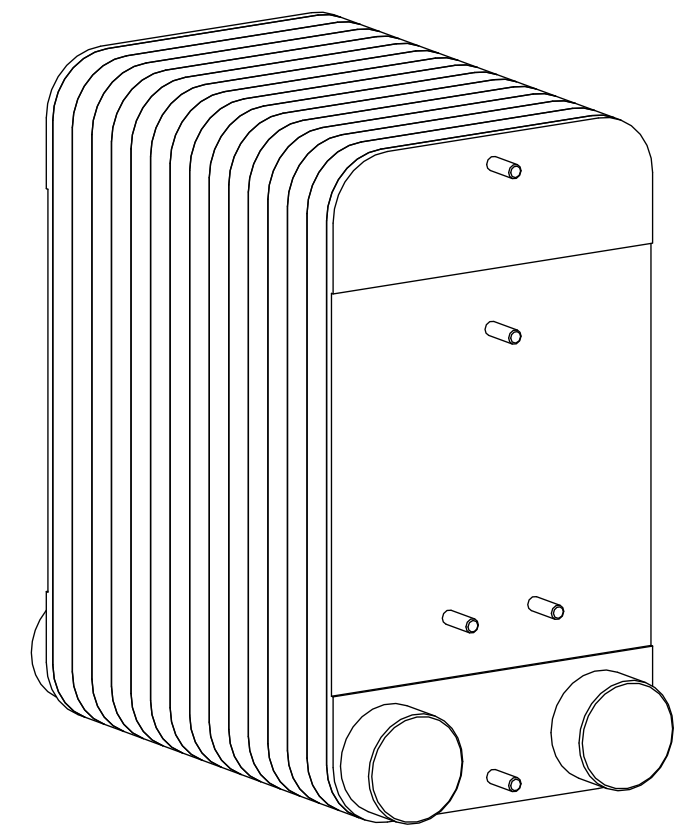


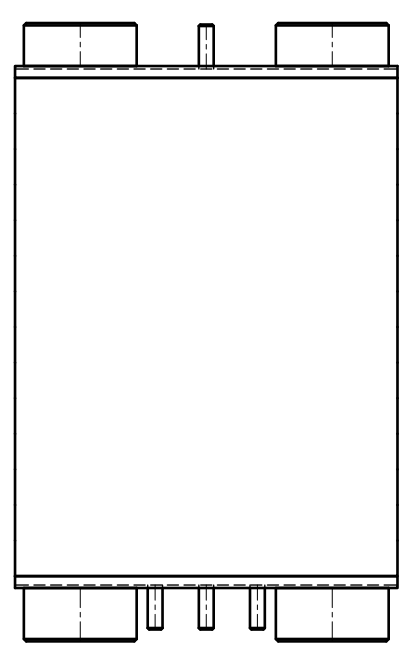
Side view



Front view



Isometric view



Top view



| | | | |
|---|---------------------------------------|------------------------|---------------------|
| Unterliegt nicht dem Änderungsdienst/ Not subject to change management | | Maßstab/ Scale: 1:5 | Format/ Size: A3 |
| Revision 27.08.2020 | Longtherm RMB-110-2-140-P25 - 8048400 | | |