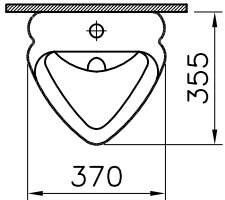
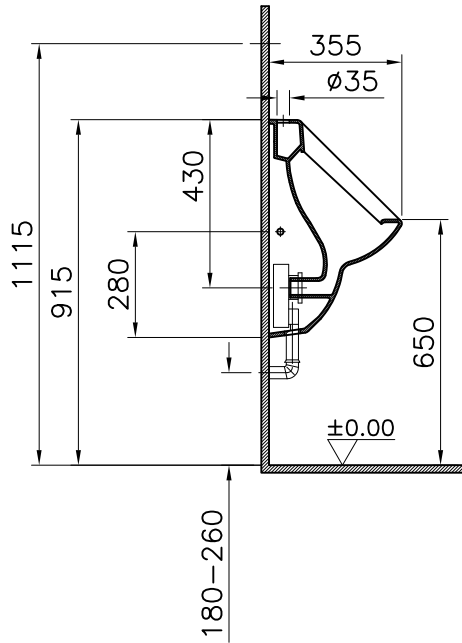
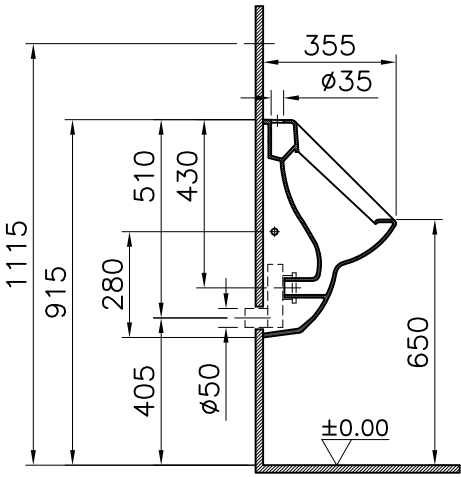
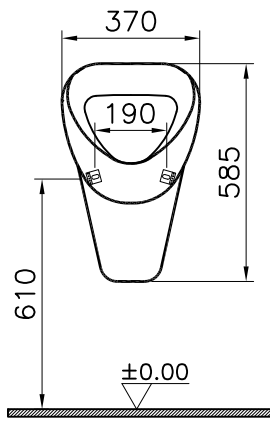


Theoretic Mass(kg)	Revision
Surface Area(dm ²)	A4

Thread	Hole	Shaft



06	Replaces drawing dated 22.02.2007	17.03.2015	GOKHAN
R.S	Description	Date	NAME

1	1	Urinal	6563-1032	Ceramic	
item	Quantity	Part Name	Drawing No	Material	Material Class
		Series	Material	Ceramic	Material Class
		ARKITEKT	Urinal		
		<small>This drawing can only be used for the intended purposes. Unauthorized copying is strictly prohibited.</small>			
Drawn By	Controlled By	Approved By	Date	Drawing No	Scale
B.SENYUVA	U.AYDONER	B.TOPÇU	22.02.2007	6563	1/20

VitrA® ART^{EM}A