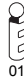
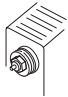



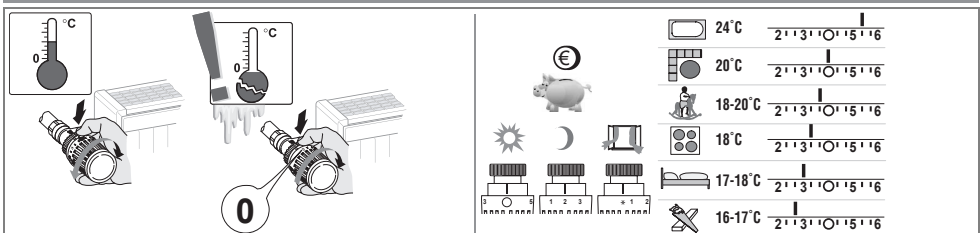
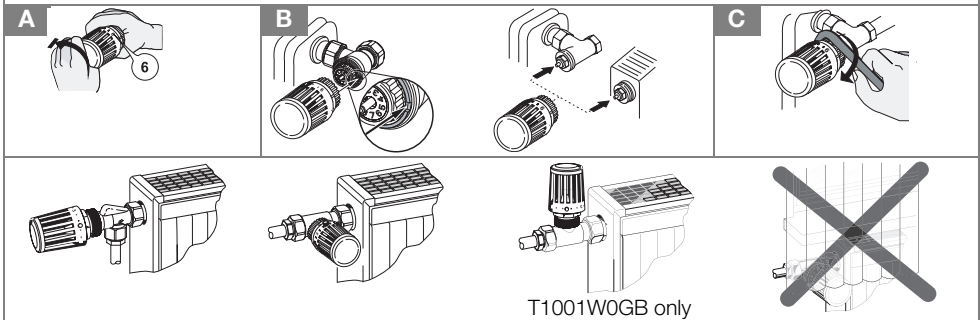


T1000 Series Thera-100

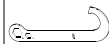


		EN215  011	0 - * - 6	* - 6		V2000	V117	V100
	T100M-364F	✓	✓		M30x1,5	✓	✓	
	T1002B3W0		✓		M30x1,5		✓	✓
	T1002B4W0		✓		M40x1,5			✓
	T104A1040		✓		M40x1,5			✓
	T1001W0GB	✓	✓		M30x1,5		✓	

	0	*	1	2	3	4	5	6
°C	1	6	11	14	17	20	23	26
°F	34	43	52	57	63	68	73	79



T1000 SERIES



VA8210A001



TA1010DA01



TA1010HZ01



TA6900A001

For more information

resideo.com



Ademco 1 GmbH
Hardhofweg 40
74821 MOSBACH
GERMANY
Phone: +49 6261 810
Fax: +49 6261 81309

Manufactured for and on behalf of the
Pittway Sàrl, La Pièce 6, 1180 Rolle, Switzerland
by its Authorised Representative Ademco 1 GmbH
MU2H-2018GE25 R0223

Subject to change
© 2023 Pittway Sàrl. All rights reserved.

This document contains proprietary information of
Pittway Sàrl and its affiliated companies and is
protected by copyright and other international
laws. Reproduction or improper use without specific
written authorisation of Pittway Sàrl is strictly
forbidden. The Honeywell Home trademark is used
under license from Honeywell International Inc.

Honeywell Home