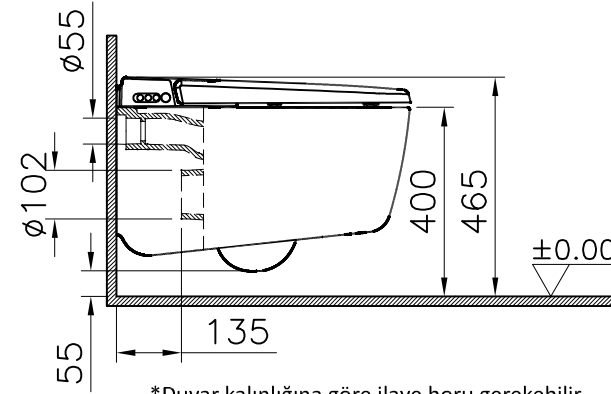
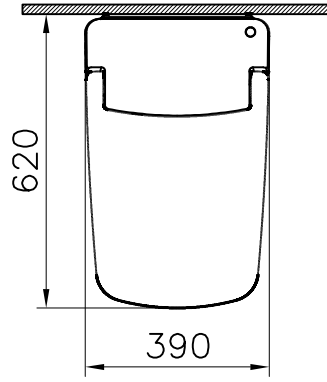
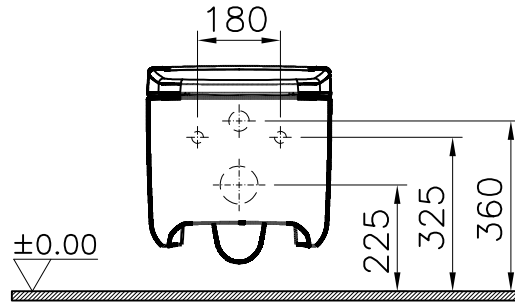


Theoretic Mass(kg)	Revision
Surface Area(dm ²)	A4

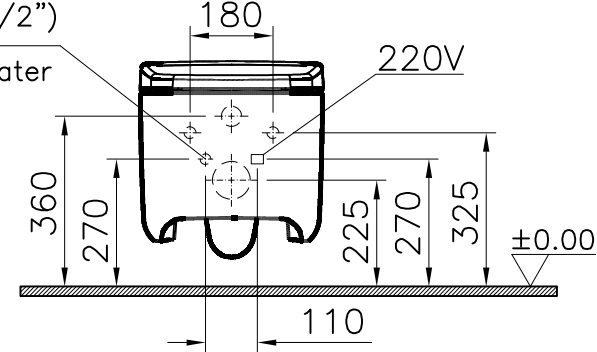
Thread	Hole	Shaft



*Duvar kalınlığına göre ilave boru gerekebilir.
 *Additional pipe may be required due to wall thickness
 *Ein zusätzliches Ablaufrohr ist je nach Wandstärke erforderlich



Gizli taharet
 bağlantısı (1/2")
 Concealed water
 inlet (1/2")



**PROTOTYPE
 DRAWING**

1	1	Rim-ex asma klozet	7230-6216	Ceramic	
item	Quantity	Part Name	Drawing No	Material	Material Class
		Series	Ceramic	Material Class	
Rim-ex asma klozet					
Drawn By	Controlled By	Approved By	Date	Drawing No	Scale
T.TAYAR	N.BALTACI	S.VEDAT SARIGOL	12.12.2019	7230	1/20

R.S.	Description	Date	NAME

VitrA® ARTIMA®