



# Braukmann V6002 Flanged Non-Return Valve

Installation instructions



---

## GB

|   |   |   |
|---|---|---|
| 1 | Safety Guidelines . . . . .             | 3 |
| 2 | Technical Data . . . . .                | 3 |
| 3 | Options . . . . .                       | 3 |
| 4 | Assembly . . . . .                      | 3 |
| 5 | Transportation and<br>Storage . . . . . | 3 |
| 6 | Maintenance . . . . .                   | 4 |
| 7 | Disposal . . . . .                      | 4 |

## 1 Safety Guidelines

- Follow the installation instructions
- Use the appliance
  - according to its intended use
  - in good condition
  - with due regard to safety and risk of danger
- Note that the appliance is exclusively for use in the applications detailed in these installation instructions (see 2 Technical Data). Any other use will not be considered to comply with requirements and would invalidate the warranty
- Please take note that any assembly, commissioning, servicing and adjustment work may only be carried out by authorized persons.
- Immediately rectify any malfunctions which may influence safety

## 2 Technical Data

|  |  |
|--|--|
| <b>Media</b>                                       |  |
| For heating and cooling systems                    |  |
| Medium:  | Water with max. 50 % glycol according to VDI 2035              |
| <b>Operating pressure</b>                          |  |
| Max. pressure for water and non-hazardous liquids: | 16 bar DN50-DN200  |
| <b>Operating temperatures</b>                      |  |
| Min. operating temperature:                        | -10 °C   |
| Max. operating temperature:                        | 150 °C   |
| <b>Specifications</b>                              |  |
| Approvals:   | Complying with European Directive 2014/68/EU PED (ex 97/23/CE) |

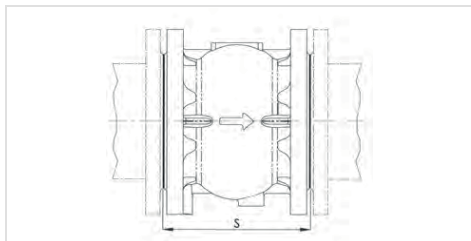
## 3 Options

For Options visit [resideo.com](http://resideo.com)

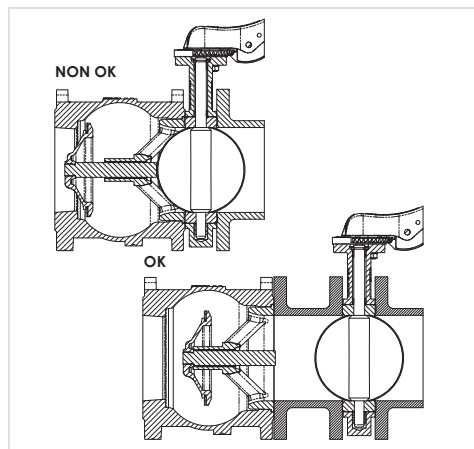
## 4 Assembly

### 4.1 Installation Guidelines

- Keep the valve between the pipe and insert the sealing between the flanges. Make sure that the sealing is correctly placed. The distance S between the flanges must be equal to the gauge of the valve. Do not use bolts to bring near the pipe. Clamping bolts must be cross tightened.



- Flanges must not be welded to pipes once the valve has been installed. Make sure the installation is equipped with expansion joints so as to avoid breaking or losses due to pipes tensions, vibrations or shifts.
- Water hammers might cause damage and ruptures. Inclination, twisting and misalignments of the piping may subject the installed valve to excessive stresses. It is recommended that elastic joints be used in order to reduce such effects as much as possible.
- In case of use with hot fluids pay attention to the risk of scald. In open position the valve has a bigger dimension than the nominal face to face dimension. In order to avoid interferences provide a suitable distance between the valve and other valves or pipes components.



## 5 Transportation and Storage

- Handle with care. Keep in a dry place

## 6 Maintenance



### WARNING!

Before to proceed in any intervention of maintenance or disassembly:

- ▶ Wait the cooling of the piping, the valve and the fluid
- ▶ Let the pressure escape and drain line and piping in the presence of poisonous, corrosive, inflammable and caustic fluids
- ▶ Temperature over 50 °C and under 0 °C can hurt people



No maintenance required (do not service).

## 7 Disposal

If there is a possibility of residue remaining in the valve, take due safety precaution and carry out required cleaning operation.

Personnel in charge must be trained and equipped with appropriate protection devices.

Prior to disposal, disassemble the valve and separate the component according to various materials.

Please refer to product literature for more information.

Forward sorted material to recycling (e.g. metallic materials) or disposal, according to local and currently valid legislation and under consideration of the environment.



Manufactured for  
and on behalf of  
Pittway Sàrl, Z.A., La Pièce 6,  
1180 Rolle, Switzerland

For more information  
**resideo.com**  
Ademco 1 GmbH, Hardhofweg 40,  
74821 MOSBACH, GERMANY  
Phone: +49 6261 810  
Fax: +49 6261 81309

This document contains  
proprietary information  
of Pittway Sàrl and its affiliated  
companies and is protected by  
copyright and other  
international laws.  
Reproduction or improper use  
without specific written  
authorization of Pittway Sàrl is  
strictly forbidden.